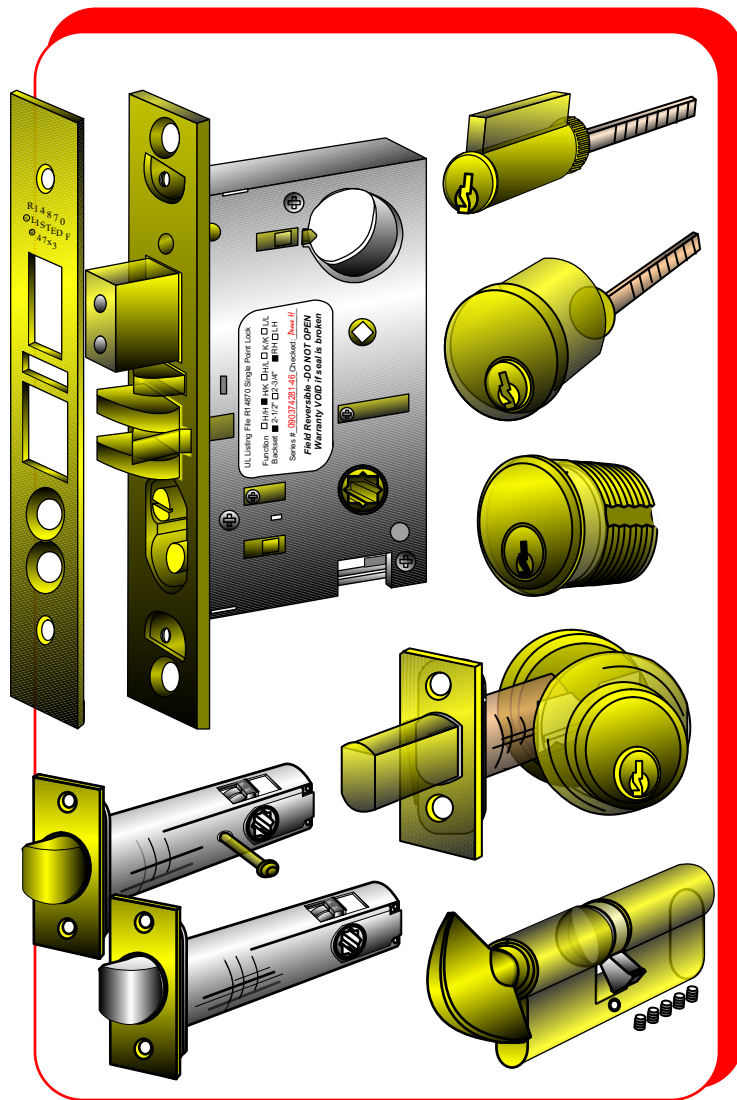


# baton®

Security Products since 1973



## Catalogue 2016.10 Decorative Door Hardware

Baton Security Products  
11521 Salinaz Drive,  
Garden Grove,  
CA 92843 USA

Tel: (714) 590 6969  
Fax: (714) 590 6960

USA / Canada toll free  
Tel : (877) 228 6699  
Fax: (866) 228 6699

Tooling, manufacturing as well as purchasing stock items are additional benefits of doing business with Baton.

[www.batonlockusa.com](http://www.batonlockusa.com) [www.batonhardware.com](http://www.batonhardware.com)

Email : [Sales@batonlockusa.com](mailto:Sales@batonlockusa.com)



Dear Clients:

It is our pleasure to present for your reference the latest Catalogue and Price List for the decorative door hardware.

Baton has accumulated the experience in the manufacturing and distribution of the security locking devices and related hardware since 1973. Since then, we have consistently provided clients with a wide range of high quality locking devices along with the edge necessary in today's security industry.

At Baton, our goal is to provide you with the highest quality not only in security products but also in customer service. To assist you with your product needs, our Customer Services Department is open from 8:00 AM until 4:30 PM Pacific Time, Monday through Friday.

The following pages show the product lines we constantly carry in our warehouse located at Garden Grove, California. Nevertheless, tooling, manufacturing as well as purchasing stock items are value added benefits of doing business with us. Your complete satisfaction is our goal. Please call our Customer Service Representatives at 1-877-baton99 (228 6699) and let us know how we can best serve you. Should you have any other needs regarding locking devices, please call our CSR at the following numbers:

Toll free Tel : 1-877 - 228 6699 Fax: 1-866 - 228 6699
<ol style="list-style-type: none"> <li>1. Mortise Door Lock, Low Profile Deadbolts, Tubular Latches and components</li> <li>2. European Profile Cylinders, Rim Cylinders, Key in knob and Mortise Cylinders</li> <li>3. Decorative Hardware</li> <li>4. Special locks for Payphone, Casino, Gaming and Vending Industries.</li> </ol>

Toll free Tel : 1-800 - 395 8880 Fax: 1-888 - 395 8880
<ol style="list-style-type: none"> <li>1. High security locks and devices of all kinds for Vending, Laundry, Casino and Video Gaming Industries</li> <li>2. Padlocks - Brass, Laminated steel, Hardened steel and Stainless steel for Coin-Op Industries and general public</li> <li>3. Do-it-yourself general hardware</li> </ol>

Sincerely,

Peace Hsu  
President

## Terms and Freight Policy -

All prices are based on FOB our warehouse. Net 30 days can be arranged upon approval on open account others will be prepaid. Any past due account is subject to a financial charge at 1.5% on unpaid balance billed monthly. No further shipment will be honored until account is brought back to current. Service charges will apply to all the returned checks. Unless you specify otherwise, will use a carrier and route of our choice. Claim for loss or damage in transit should be made by you against the carrier. All goods are shipped at the customers risk; our responsibility ceases upon delivery in good order to the carrier.

## Receipt and Return Goods Policy -

All goods are shipped and invoiced FOB our warehouse plus the freight costs. Unless you specify otherwise, we will use a common carrier and route of our choice. Special arrangement may be available and subject to our final confirmation. To protect your interest, it is suggested that to file the damage report with the carrier upon reception of damaged or open shipment.

Any discrepancy regarding the shipment must be claimed within 5 days after merchandise received. A RGA number must be obtained from our CSR prior to the merchandise returned. All returns must be in original packaging and saleable condition. A 25% restocking charge and freight will apply to all goods returned within 60 days from date of invoice. A 35% restocking charge and freight will apply to all goods returned after 60 days from date of invoice. No merchandise held over 120 days from the date of invoice will be accepted for return. No returns will be accepted on special ordered, custom made or non-stock item, other than factory defect.

## Orders and Cancellations -

Order and/or cancellations will not be processed without written confirmation from customer. Any order shipped before written request of cancellation or change is received will incur handling charges as stated above. Special orders and custom made items are not cancelable after a period of 3 days from date of order. Partial orders shall be accepted by the customer and paid for at the contract prices and terms. Order received by Baton constitute acceptance of terms outlined in this document. Baton is not responsible for any loss or damage due to delays or extended delivery dates of goods.

## Limited Warranty -

Baton warrants that its products will be free from defects in materials and workmanship (excluding oxidation or discoloration) for a period of one year from the date of sales to the user. Our only obligation will be to replace the defective product or parts upon inspection, together with proof of purchase from one of our agents dated within the warranty period. **We assume no liability for any labor charges regarding the removal or reinstallation of the products; nor will we cover any freight, postage, traveling or handling expense relative to the product. Damage caused by accident, misuse, abuse or improper installation are not covered by this warranty. Except as expressly stated herein, there is no warranty, whether expressed or implied, provided by Baton. No other person has authority to assume any obligation or liability in addition to this warranty.**

## Validity and Special Note -

This catalogue with Price List enclosed is good for six (6) months from the date issued and supersedes all previous catalogues and Price Lists. Baton is not responsible for any typographic errors or errors in indication.

# Index by Page

Page	Contentss	Page	Contentss
01	About us	L01	LT245KS / 245MB Pass Latch & Mortise Bolt
02	Sales Policy	L02	LT345KE / 367KE (UL) Entrance Latch
03	Index - by page	L03	LT483 / 486 Hookbolt Latch
04	Index - by product category	L04	LT583 / 586 Privacy Latch/Knob 28 degree
A01~A02	Series "A" Mortise Lock Case	L05	LT595KV Privacy Latch/Knob 5", Faceplate
A03~A07	Function Chart - Mortise Lock Case "A"	L06	LT673/676 Pass Latch, small facebore
A08	Mortise Lock Case - Electrified	L07	LT683 /686 Passage & Privcy Latch
A09	Mortise Lock Case - Hold-back feture	L08	LT783/786/796 Passage & Privacy Latch
A10	Faceplate for "A" Mortise Lock Case	L09	LT843 / 846 Pass Latch, through-bolting
A11	Strikes for "A" Mortise Lock Case	L10	LT880 / 883 / 886 Privacy Latch, 28 degree
A12	Ordering guide for "A" Mortise Lock Case	L11	LT245/780/783/786 Mortise Bolt
A13	A578 Pocket Lock Case, Strike Block	L12	Standard & extended T + Full-lip Strike
A14	Function Chart - A578	L13	Combo Faceplate + Strike
A15	TA10 Trim for A578 Pocket Lock	L14	Stabilizer + Power Pack
A16	Roller Latch Lock Case with Privacy	L15	LT-RA281 Rosette Adapter
A17~A18	Barn / Pocket Lock Case	L16	Transfer Unit + Tail Piece
A19	A775 Deadlock, Hooklock Case & Strike	T01~T02	Trim/Lever sets order guide
A20	AC26, 29 Bevel-Head Mortise Cylinder	T03	TA30 Trim
A21	AC30, 31 Flat-Head Mortise Cylinder	T04	TA40 Trim
A22	Dummy Cyl, Collar & Padlock	T05	TA50 Trim
A23~A24	Installation menu 'A' Mortise Lock	T06	TA60 Trim
D01	Deadbolt Assemblage - modern	T07	TA70 Trim
D02	Deadbolt Assemblage - classic	T08	TA80 Trim
D03	Trim rings - modern and classic	T09	TA91 / 92 Trim
D04	Faceplate, Strikes for Deadbolt Latch	T10	TA95 / 96 Trim
D05	Deadbolt Latch- D400-DA, DB	T11	Memo
D06	Deadbolt Latch- D400-DC, DF	T12	TE- G / H Trim
D07	Deadbolt Latch - D400-DH & custom made	T13	TE- U / V / X Trim -1
D08	Deadbolt/Knob Cylinder and D451P assemblage	T14	TE- U / V / X Trim -2
D09	Backup Plate & Accessories for Deadbolt Cyl	T15	TF- B / D Trim - 1
D10	D530, 550 Interior Mortise Lock Case	T16	TF- B / D Trim - 2
D11	D608, 613 Interior Mortise Lock Case	T17	TF- E Trim
D12	D827 Lockset & Interconnection Mechanism	T18	TF- G / H Trim
E01~E02	E600 E700 E900 Euro Mortise Lock Case	T19	TL Lever -1
E03	E207-23 E308-25,35,40,50 Euro M Lock,narrow	T20	TL Lever -2
E04	E240-40, E250-40 Hook & Pocket Lock	T21	TX- KC / KM Knob set
E05~E06	E260-55 Euro Pocket Lock set	T22	TX- LJ Lever set
E07~E08	F408 413 518 Euro DPN Mortise Lock Case	T23	TX- LK Lever set
E09~E10	G300 Euro Mortise Lock Case	T24	TX- T Turn set
E11~E13	SN Mortise Lock K500 K700	X01~X02	Spindle and Dummy Bracket
E14	EC60 EC61 EC62 EC72 Euro Profile Cylinder	X03	Rekey Kit, Key Blanks
E15	Custom length and 2-tone Euro Profile Cyl	X04	Rekey Kit - Dimple
E16	Cylinder Converter & Accessories	X05	In-house Keying service guide
E17~E18	Euro Cylinder Rosette	X06	Inch vs. mm chart
E19~E22	Service Menus & Ordering Guide-E locks		

## Index - by product Category

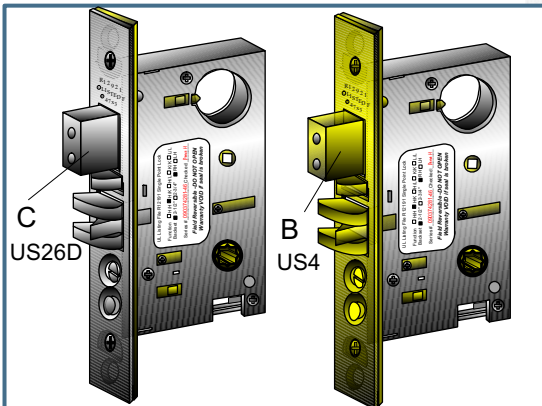
<b>Products</b>	<b>Pages</b>	<b>Products</b>	<b>Pages</b>
<b>Cylinders &amp; Related Accessories</b>		<b>Mortise Lock Case &amp; Accessories</b>	
American style		American Classic - (use w/Mortise Cyl)	
Deadbolt Cylinders, single/double	D08, D09	Mortise lock cases "A"	
Backup plate & Tail piece	D09	2", 2-1/2", 2-3/4", 3-1/2" all functions	A01~A12
Bolting screws & extension Couplers	D09	Roller Latch with Privacy	A16
Key in Knob Cylinder	D08	Mortise lock case - Barn door lock	A17, A18
Lock Block - for hotel safe	Q2	Mortise lock case - Electrified	A08
Mortise cylinders, Key & T Turn		Mortise lock - Holdback function	A09
Beveled head style	A20	Faceplate	A10
Flat head styles	A21	Strike, Extended Strike & Dust box	A11
Dummy cyl & Security Collars	A22	American interior - Mortise lock cases "D"	D10, D11
Padlock	A22		
Euro Profile cylinders		Euro Style - use with Euro Profile Cyl	
Single/double & Converter	E14~E16	Mortise lock "E" (85mm C/C)	
Euro Cylinder Rosette	E17, E18	2-3/8", 2-3/4", 3-15/16" all function	E01, E02
Rekeying pin kits	X03, X04	Narrow backset Mortise lock cases	E03
In-house keying services	X05	Mortise Hock Pock lock	E04~E06
		Mortise lock "F" EN/DIN certified	E07
		Mortise Auto lock "F" (72mm C/C)	E08
		Mortise lock "G" (92mm C/C)	E09~E10
		Mortise lock "K" (105mm C/C)	E11~E12
		Store Front Hockbolt "Q"	Q01
		Mortise lock - multi point "Q"	Q02
<b>Deadbolt, Deadbolt Latch &amp; Accessories</b>		<b>Pocket, Barn Door Lock</b>	
Deadbolt Assemblage		Series A - 2" backset all function	A13~A15
Low profile, Modern	D01	Barn Door Lock	A17, A18
Low profile, Classic	D02	E240, E250 E260 Entrance, Privacy	E04, E06
Accessories			
Adopter & Trim rings	D03		
Bolting screws,	D05		
Cylinder + Latch + Strike package	D04		
Deadbolt latch, 2", 2-3/8", 2-3/4"	D07		
Deadbolt latch, extended backset	D09		
Deadbolt Latch, 2-3/8" & 2-3/4"			
adjustable, UL 3 hours fire rated	D08		
Dust Box	D06		
Interior Mortise Lock Case 1-3/16", 2"	D10, D11		
Security strike	D06		
Tail piece -single, double and extended	D05		
<b>Latch/Tubular, Mortise Bolt &amp; Accessories</b>		<b>Store Front Lock</b>	
Entrance Latch	L02	American style	
Hockbolt Latch 2-3/8", 2-3/4"	L03	Swing, Hock & Latch Bolt	Q01
Tubular Latch		Lever Handle & Cylinder Ring	Q01
1-3/4", 2", 2-3/8", 2-3/4", 5"	L02~L10	Euro style	
Extended backset custom latch	L04~L10	Hock Bolt	E03
Mortise bolt			
1-3/4", 2", 2-3/8", 2-3/4", custom made	L11		
Accessories			
Dust box	L12		
Emergency Release Key	L12		
Faceplate, Strike - standard & combo	L05, L12, L13		
Thumb Turn set for Mortise Bolt	T24		
Transfer Unit and Thumb Piece	T24		
<b>Mortise Deadlock</b>		<b>Trim, Lever &amp; Knob sets</b>	
Mortise Deadlock/Hooklock A775 2-3/4"	A19	D827 Lock sets	D12
Mortise Deadlock A500,600,700,900	A03~A07	TA Trim sets for 'A' mortise lock	T03~T10
Euro Mortise Hock Deadlock E240	E04	TE Trim/Lever sets for 'E' mortise lock	T12~T14
		TF Trim sets for 'F' mortise lock	T15~T18
		TL Lever sets for 'LT' Latches	T19~T23
		TX Knob sets for all Mortise	
		Locks & Latches	T21
		TX Stainless steel Lever sets for	
		all Mortise locks & Latches	T22, T23
		TX T Turns for Mortise Lock,	
		Mortise Bolt & Latches	T24
		<b>Other Accessories</b>	
		Interconnect Mechanism	D12
		Latfch/rosette stabilizer	L14
		Power Pack	L14
		Rosette Adapter	L15
		Spindles - Dummy, Half, Solid & Swivel	X01, X02
		Dummy Bracket	X01, X02
		Thumb Piece	L16
		Transfer Unit	L16

Baton's patented mortise lock is engineered for durability and optimum security. All lock cases are constructed with quality metal working parts, ensuring the long lasting and trouble free operation.

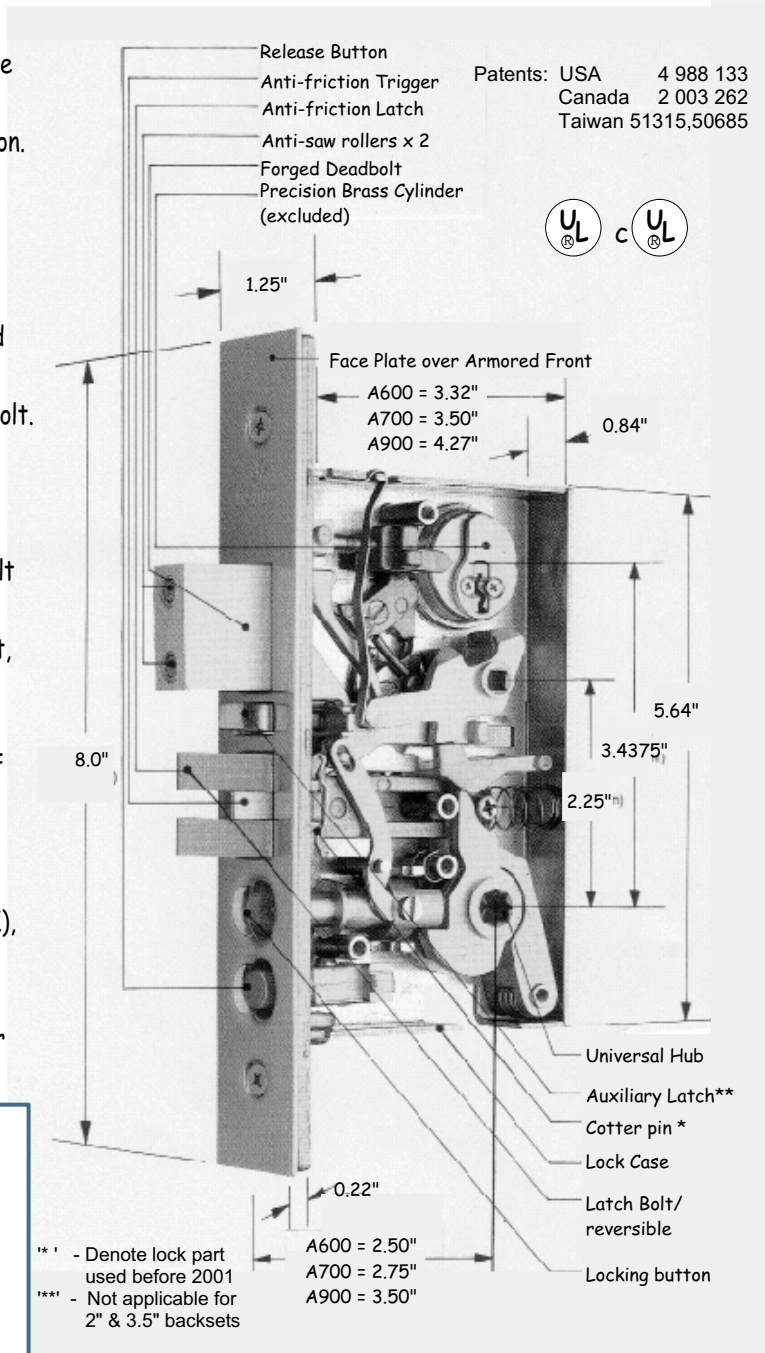
Series A500 2" backset Mortise Lock case (illustrated page A02 ) has a unique design. It features a stainless steel latch bolt and a full 1" throw solid stainless steel deadbolt. The exposed metal buttons are well finished to match the appearance of the stainless steel latch and deadbolt.

Locks of 2-3/8", 2-3/4" and 3-1/2" backsets (see illustrated right) are equipped with a mechanical anti-friction latch bolt and a full 1" throw deadbolt with two hardened steel rollers for maximum security. The exposed parts (Deadbolt, Latch Bolt, Auxiliary Latch and Buttons) are made of forged brass. Two finishes, satin chrome (US26D) and satin brass (US4) are available, provide options of matching the various finishes of the Face Plate, Strike and Trims.

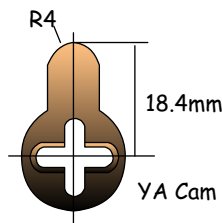
One common mortise lock case for Knob/Knob (KK), Lever/Lever (LL), Grip Handle/Knob (HK), Grip Handle /Lever (HL) and Grip Handle/Grip Handle (HH) trims. Please refer to pages T03 to T24 for the available trims.



Exposed parts in backsets 2.5", 2.75" and 3.5" can be ordered in US4 (B) or US26D (C) finishes. Specify when ordering.



\*\* - Denote lock part used before 2001  
\*\*\* - Not applicable for 2" & 3.5" backsets



**Remark:**  
Series A600, A700 & A900 Mortise Lock Case works with Baton Series 'AC' Mortise Cylinders, or the similar cylinder that is formed with a 'YA' type cam.

# Series 'A' Heavy Duty Mortise Door Lock Case

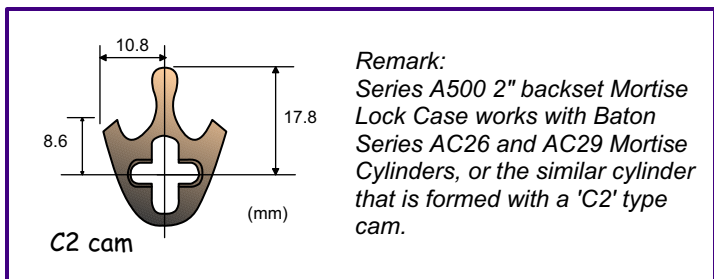
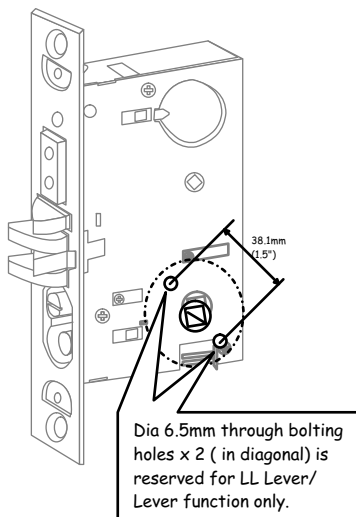
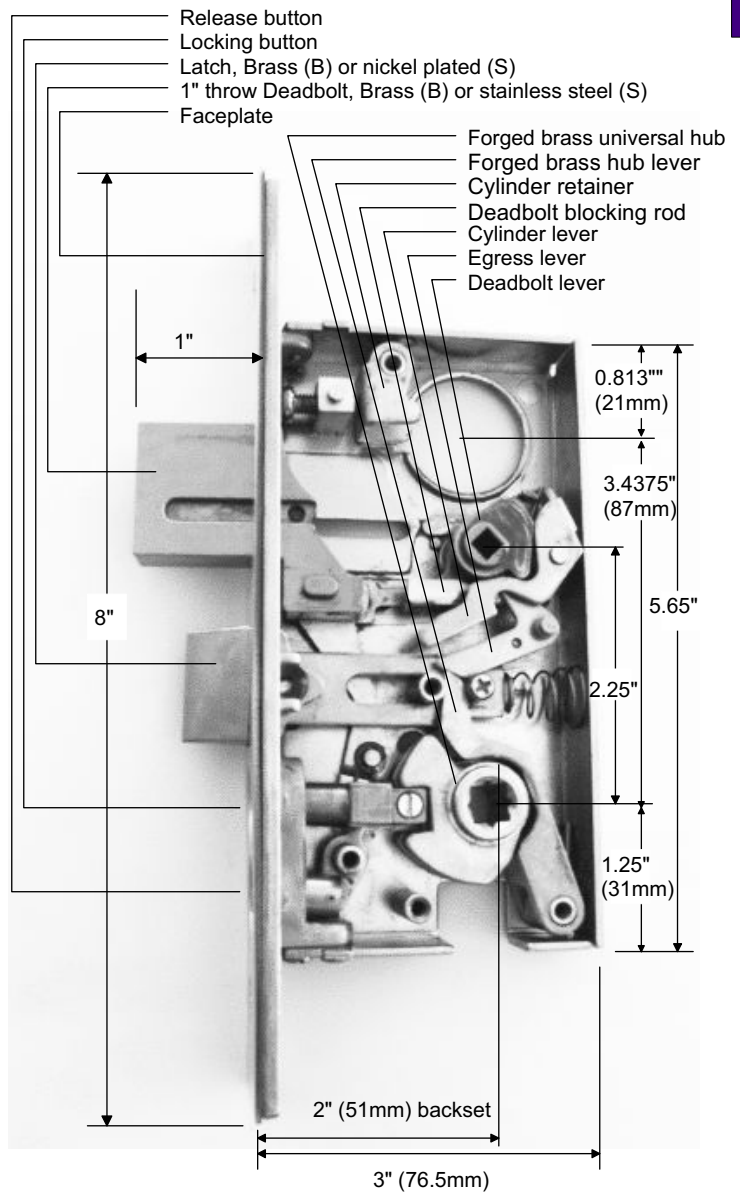
Series A500 the 2" backset Mortise Lock case takes any standard Mortise Cylinder (1.15"-32uns-2b) that is formed with a 'C2' type cam. Series A600/2.5" backset, A700/2.75" backset and A900/3.5" backset mortise lock cases take any standard Mortise Cylinder (1.15" uns-2b) that is formed with a 'Y' type cam.

The non-handed, field-reversible lock case design plus the outstanding field-exchangeable universal hub, 7.0mm, 7.3mm or 8mm, on diamond or square, for major entrance locks, allows orders to be filled quickly at the distributor level from stock on hand.

The Baton Series A600 & A700 Mortise Locks are UL and ULC listed for use on 3 hour, A label doors, 4'x8' single or 8'x8' pairs, and can be specified for application in custom homes, offices, hotels, schools, as well as commercial buildings. Please see pages A03 to A08 for ANSI and special functions available.


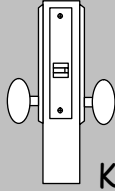
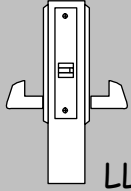
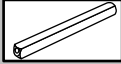
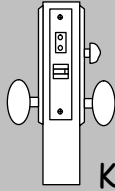
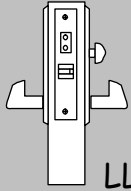
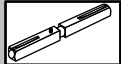
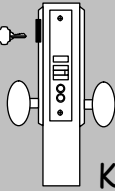
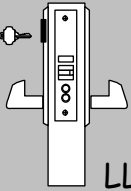
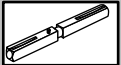
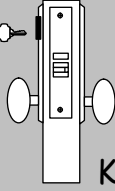
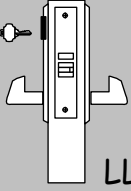
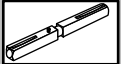
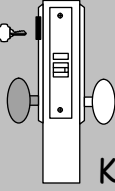
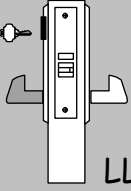
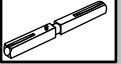
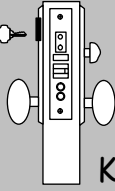
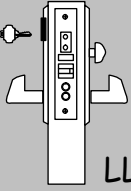
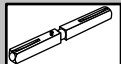

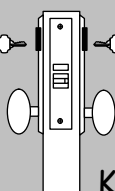
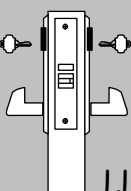
One 1-1/4" (32mm) wide Face Plate, 1-1/4" (Lip to Center) Strike, Dust Box and Mounting Hardware are furnished as standard. Narrow Strike, Extended Strikes and heavy duty Security Strikes are available to purchase separately. Please see page A10.

A520KK 2" backset illustrated



# Series 'A' Mortise Lock Function Chart- 1

A03

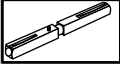
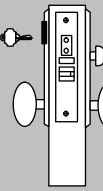
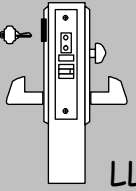
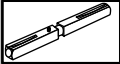
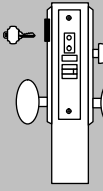
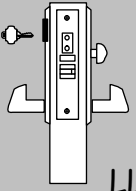
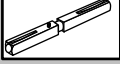
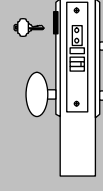
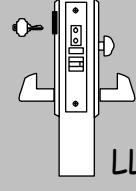
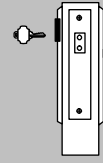
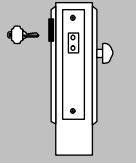
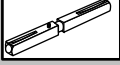
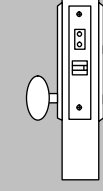
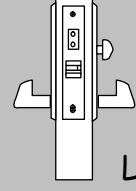
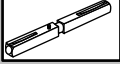
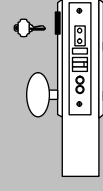
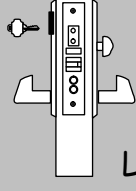
Model No	Backset	ANSI Code	Function	Depiction	Specify Trim style to fit when ordering
A 501 A 601 A 701 A 901	2" 2.5" 2.75" 3.5"	F 01	<b>PASSAGE</b>  Latch operated by knob/lever from either side at all times.	 KK	 LL
A 502 A 602 A 702 A 902	2" 2.5" 2.75" 3.5"	F 02	<b>BATHROOM (without egress)</b>  Latch operated by knob/lever from either side. Deadbolt operated by turn piece inside, and by emergency release from outside.	 KK	 LL
A 604 A 704	2.5" 2.75"	F 04	<b>OFFICE / CORRIDOR</b>  Latch by knob/lever from either side except when outside knob/lever is locked by stop button in front; then by key outside or by knob/lever inside. Auxiliary latch * deadlocks latch.	 KK	 LL
A 605 A 705	2.5" 2.75"	F 05	<b>CLASSROOM</b>  Latch operated by knob/lever from either side except when outside knob/lever is locked by key; then unlock by key from outside and retracted by knob/lever from either side. Inside knob/lever always free. Auxiliary latch deadlocks latch.	 KK	 LL
A 607 A 707 A 907	2.5" 2.75" 3.5"	F 07	<b>STOREROOM</b>  Latch operated by knob/lever from inside, by key from outside. Outside knob/lever is always inoperative. Auxiliary latch * deadlocks latch.	 KK	 LL
A 508 A 608 A 708 A 908	2" 2.5" 2.75" 3.5"	F 08	<b>ENTRANCE ** (without egress)</b>  Latch by knob/lever from either side except when outside is locked by stop button; then by key from outside, by knob/lever from inside. Deadbolt by turn piece from inside, by key from outside. Auxiliary latch * deadlocks latch.	 KK	 LL
A 609 A 709	2.5" 2.75"	F 09	<b>VESTIBULE / PUBLIC TOILET</b>  Latch operated by knob/lever from either side except when outside knob/lever is locked by inside key. Outside key or inside knob/lever will retract latch when locked. Auxiliary latch deadlocks latch. (Special 'V1' cam for outside cylinder included) 	 KK	 LL

'\*' Auxiliary latch for 2" & 3.5" backset lock cases are not applicable. '\*\*\*' Applies for Single and Double cylinders



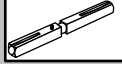
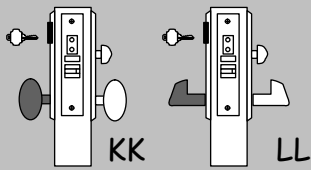
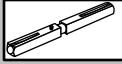
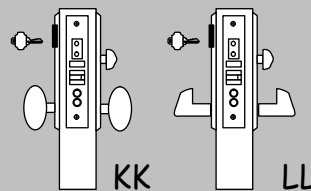
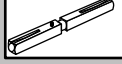
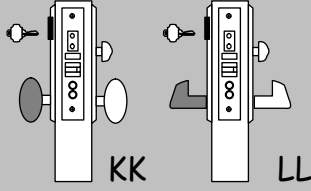
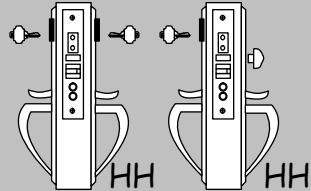
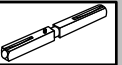
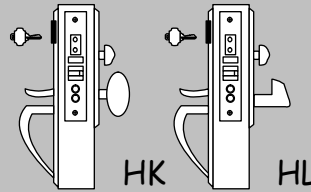
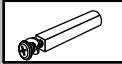
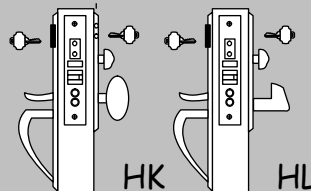
# Series 'A' Mortise Lock Function Chart- 2

A04

Model No	Backset	ANSI Code	Function	Depiction	Specify trim style to fit when ordering
A 511 A 611 A 711 A 911	2" 2.5" 2.75" 3.5"	F 11	<b>DORMITORY ** (without egress)</b> Latch by knob/lever from either side except when projected deadbolt locks outside/inside knobs and deadbolt. Deadbolt by key outside, by turn piece inside, automatically unlocking outside/inside knob/lever. Latch deadlocked by auxiliary latch* or deadbolt.	  KK	 LL
A 513 A 613 A 713 A 913	2" 2.5" 2.75" 3.5"	F 13	<b>DORMITORY (with egress)</b> Latch by knob/lever on either side except when projected deadbolt locks outside knob/lever and deadlocks latch. Deadbolt and latch by key outside. Deadbolt by turn piece inside. Inside knob/lever retracts latch and deadbolt simultaneously, automatically unlocking outside knob/lever. Auxiliary latch* deadlocks latch.	  KK	 LL
A 515 A 615 A 715 A 915	2" 2.5" 2.75" 3.5"	F 15	<b>HOTEL/FIRE EXIT (with egress)</b> Inside knob/lever always free, outside rigid. Latch by knob/lever inside, key outside. Inside knob/lever retracts deadbolt and latch simultaneously. Auxiliary latch* deadlocks latch. Specify handing when ordering.	  KK	 LL
A 517 A 617 A 717 A 917	2" 2.5" 2.75" 3.5"	F 17	<b>DEADLOCK **</b> Deadbolt by key from outside and turn piece from inside.	 KK	 LL
A 519 A 619 A 719 A 919	2" 2.5" 2.75" 3.5"	F 19	<b>PRIVACY (with egress)</b> Latch by knob/lever from either side. Deadbolt by turn piece from inside and emergency release outside. Inside knob/lever retracts latch and deadbolt simultaneously, automatically unlocking outside knob/lever.	  KK	 LL
A 520 A 620 A 720 A 920	2" 2.5" 2.75" 3.5"	F 20	<b>ENTRANCE (with egress)</b> Latch by knob/lever from either side except when outside is locked by stop button or projected deadbolt. Latch deadlocked by auxiliary latch* or deadbolt. Deadbolt and latch by key outside. Deadbolt by turn piece inside. Inside knob/lever retracts latch & deadbolt simultaneously. Release button unlocks outside knob/lever when deadbolt is withdrawn.	  KK	 LL

\*' Auxiliary latch for 2" & 3.5" backset lock cases are not applicable. '\*\*' Applies for Single or Double cylinders

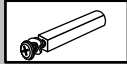
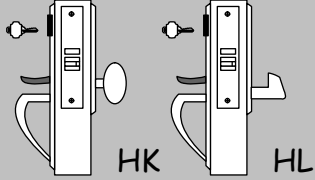
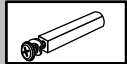
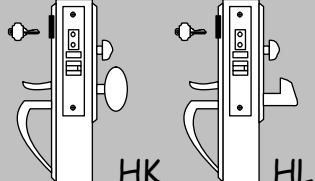
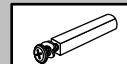
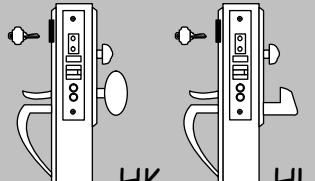
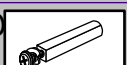
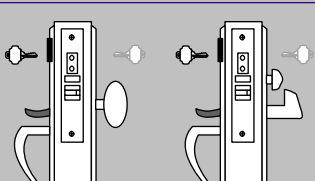
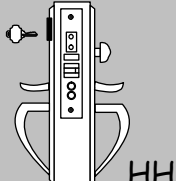
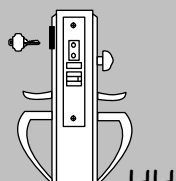
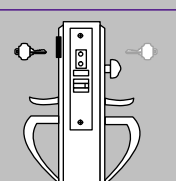
A05

Model No	Backset	ANSI Code	Function	Depiction	Specify trim style to fit when ordering
A 521 A 621 A 721 A 921	2" 2.5" 2.75" 3.5"		<b>ENTRANCE (For Electric Clutched Trim)</b> Same function as 620/720 but without Stop and Release Button. Outside lever/knob is always incorporated unless electric clutched on outside Knob/Lever with authority.		
A 622 A 722 A 922	2.5" 2.75" 3.5"	F 20	<b>ENTRANCE (with egress)</b> Latch by knob/lever from either side except when outside is locked by stop button or projected deadbolt. Latch deadlocked by auxiliary latch* or deadbolt. Deadbolt and latch by key outside. Deadbolt by turn piece inside. Inside knob/lever retracts latch & deadbolt simultaneously and automatically unlocking outside knob/lever. Stop button relocks outside knob/lever.		
A 523 A 623 A 723 A 923	2" 2.5" 2.75" 3.5"		<b>PUBLIC ENTRANCE/DORMITORY (w/egress)</b> Deadbolt and latch by key outside. Deadbolt by turn piece inside. Inside Knob/Lever retracts latch and deadbolt simultaneously. Outside Knob/Lever always rigid. Latch deadlocked by auxiliary latch* or deadbolt.		
A 525 A 625 A 725 A 925	2" 2.5" 2.75" 3.5"	F 25	<b>ENTRANCE ** (without egress)</b> Latch by thumb piece from either side. Deadbolt by key from either side when double cylinder is applied; or deadbolt by key from outside and by turn piece from inside when single cylinder is applied. Auxiliary latch* deadlocks latch.		
A 628 A 728 A 928	2.5" 2.75" 3.5"		<b>ENTRANCE (with egress)</b> Latch by thumb piece outside except when outside is locked by stop button or projected deadbolt. Latch deadlocked by auxiliary latch* or deadbolt. Deadbolt and latch by key from outside. Deadbolt by turn piece from inside. Inside knob/lever retracts latch & deadbolt simultaneously and automatically unlocking outside knob/lever. Stop button relocks outside thumb piece.		
A 529 A 629 A 729 A 929	2" 2.5" 2.75" 3.5"		<b>PUBLIC ENTRANCE ** (without egress)</b> Latch by knob/lever from inside and thumb piece from outside except when outside is locked by stop button; then by knob/lever inside, by key from outside. Deadbolt by turn piece inside, by key outside. Auxiliary latch* deadlocks latch.		

\*\* Auxiliary latch for 2" & 3.5" backset lock cases are not applicable. \*\*\* Applies for Single or Double cylinders

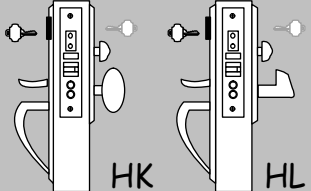
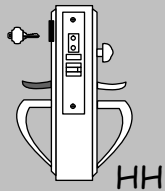
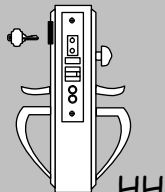
**Series 'A' Mortise Lock  
Function Chart- 4**

**A06**

Model No	Backset	ANSI Code	Function	Depiction	Specify Trim style to fit when ordering
A 630 A 730	2.5" 2.75"		<b>ENTRANCE/ELECTRIC STRIKE</b> Latch by Inside knob/lever and key outside. Outside thumb piece is always rigid. Auxiliary Latch* deadlocks latch bolt. Deadbolt is optional.		 HK HL
A 531 A 631 A 731 A 931	2" 2.5" 2.75" 3.5"		<b>DORMITORY (with egress)</b> Latch by thumb piece from outside except when projected deadbolt. Latch deadlocked by auxiliary latch* or deadbolt. Deadbolt/latch by key from outside. Deadbolt by T piece from inside. Inside knob/lever retracts latch/deadbolt simultaneously, automatically unlocking outside tpiece.		 HK HL
A 532 A 632 A 732 A 932	2" 2.5" 2.75" 3.5"		<b>ENTRANCE (with egress)</b> Latch by thumb piece outside except when outside is locked by stop button or projected deadbolt. Latch deadlocked by auxiliary latch* or deadbolt. Deadbolt and latch by key from outside. Deadbolt by turn piece from inside. Inside knob/lever retracts latch & deadbolt simultaneously.		 HK HL
A 534 A 634 A 734 A 934	2" 2.5" 2.75" 3.5"		<b>PUBLIC ENT/ELECTRIC STRIKE** (w/o egress)</b> Latch by Inside knob/lever and key outside. Deadbolt by turn piece from inside, by key from outside. Outside thumb piece is always rigid. Auxiliary Latch* deadlocks latch bolt. Electric Strike or inside solenoid release button works only when deadbolt is withdrawn.		 HK HL
A 535 A 635 A 735 A 935	2" 2.5" 2.75" 3.5"		<b>ENTRANCE (with egress)</b> Latch by thumb piece outside except when outside is locked by stop button or projected deadbolt. Latch deadlocked by auxiliary latch* or deadbolt. Deadbolt and latch by key from outside. Deadbolt by turn piece inside. Inside thumb piece retracts latch and deadbolt simultaneously.		 HH
A 536 A 636 A 736 A 936	2" 2.5" 2.75" 3.5"		<b>DORMITORY (with egress)</b> Latch by thumb piece outside except when projected deadbolt. Latch deadlocked by auxiliary latch* or deadbolt. Deadbolt and latch by key outside. Deadbolt by turn piece inside. Inside thumb piece retracts latch and deadbolt simultaneously, automatically unlocking outside thumb piece.		 HH
A 537 A 637 A 737 A 937	2" 2.5" 2.75" 3.5"		<b>DORMITORY (without egress)</b> Latch by Thumb Piece from either side except when projected deadbolt locks outside/inside Thumb Piece and deadbolt. Deadbolt by key outside, by turn piece inside, automatically unlocking outside/inside knob/lever. Latch deadlocked by auxiliary latch* or deadbolt.		 HH

'\*\*' Auxiliary latch for 2" & 3.5" backset lock cases are not applicable '\*\*\*' Applies for Single or Double cylinders. The above charts list the most common functions and their variations within each of the lock lines. Special function may be available. Please call Baton's CSR for availability.

A07

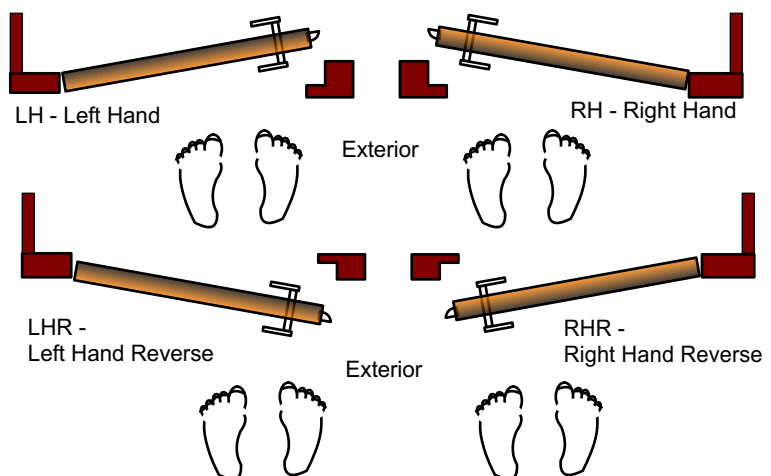
Model No	Backset	ANSI Code	Function	Depiction	Specify trim style to fit when ordering
A 538 A 638 A 738 A 938	2" 2.5" 2.75" 3.5"		<b>ENTRANCE ** (without egress)</b> Latch by knob/lever inside and by thumb piece outside except when outside is locked by stop button or projected deadbolt. Latch deadlocked by auxiliary latch* or deadbolt. Deadbolt and latch by key outside. Deadbolt by turn piece inside.		HK HL
A 639 A 739	2.5" 2.75"		<b>PUBLIC ENTRANCE / DORMITORY (with egress)</b> Deadbolt and latch by key outside. Deadbolt by turn piece inside. Inside thumb piece retracts latch and deadbolt simultaneously. Outside thumb piece always rigid. Latch deadlocked by auxiliary latch* or deadbolt.		HH
A 545 A 645 A 745 A 945	2" 2.5" 2.75" 3.5"		<b>ENTRANCE (with egress)</b> Latch by thumb piece outside except when outside is locked by stop button or projected deadbolt. Latch deadlocked by auxiliary latch* or deadbolt. Deadbolt and latch by key from outside. Deadbolt by turn piece inside. Inside thumb piece retracts latch and deadbolt simultaneously. Stop and Release buttons for outside thumb piece are manual.		HH

\* Auxiliary latch for 2" & 3.5" backset lock cases are not applicable. \*\* Applies for Single or Double cylinders

The above charts list the most common functions and their variations within each of the lock lines. Special function may be available. Please call Baton's CSR for availability.

### Handing of doors

The hand of the door is always determined from outside. Face the door and swing the door into left side of the room is left-hand (LH); swing out to the left is Left-hand reverse (LHR). Face the door and swing the door into right side of the room is Right-hand (RH); swing out to the right side of the room is Right-hand reverse (RHR).



Baton series 'A' Mortise lock cases of the Storeroom function (without deadbolt) and Dormitory function (with deadbolt) are available to order with electrified operation; and are applicable both for single and double cylinders. Special function may be available. Please call Baton's CSR for availability.

**Storeroom (F 07)**

Latch operated by knob/lever from inside, by key from outside. Outside knob/lever is always inoperative, except when solenoid release button is pressed 'ON' by authorized person from inside or key pad outside.

**Dormitory without egress (F 11)**

Same as above, except when projected deadbolt locks knobs/levers either side. Then deadbolt by key outside, by turn piece inside, automatically unlocking inside knob/lever. Continuing to turn the key from either side, will operate the latch. The outside keypad or inside authorized solenoid release button work only when deadbolt is withdrawn. Double cylinders are applicable.

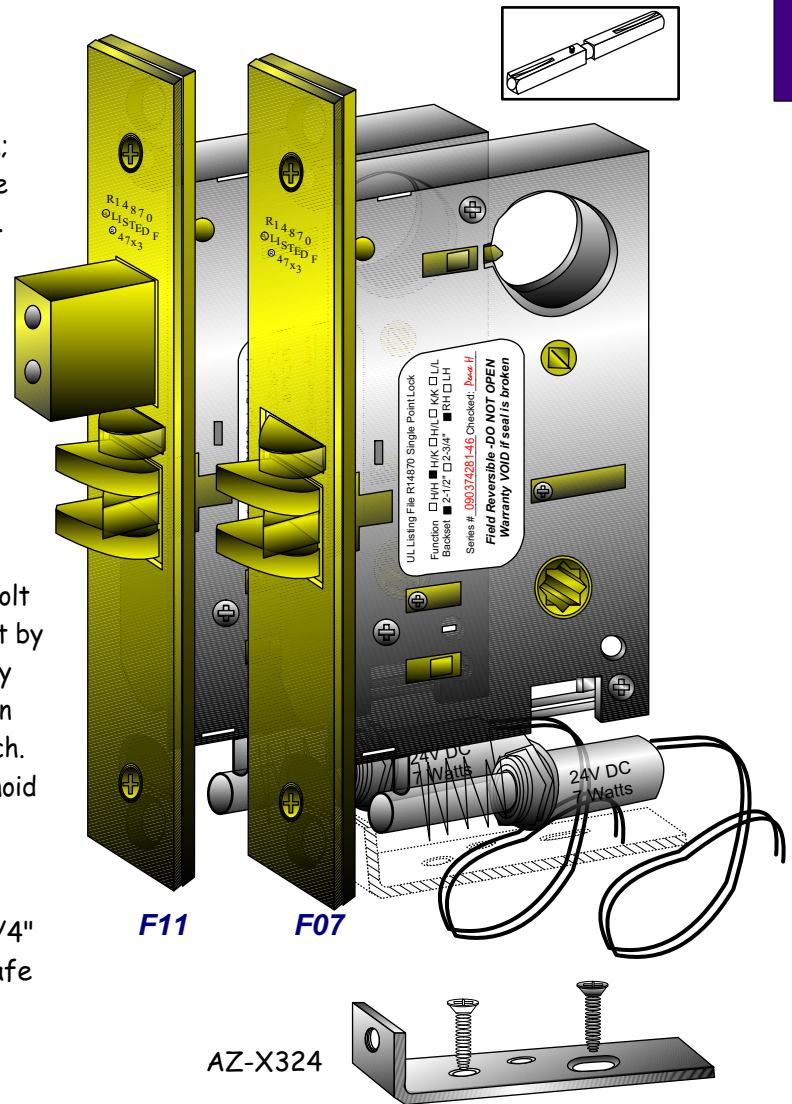
Life rating of 25 million actuations STA 3/4" Tubular Solenoid. Can be ordered in Failsafe or Failsecure. Please specify.

Backsets available:

2", 2-1/2", 2-3/4" 3-1/2"

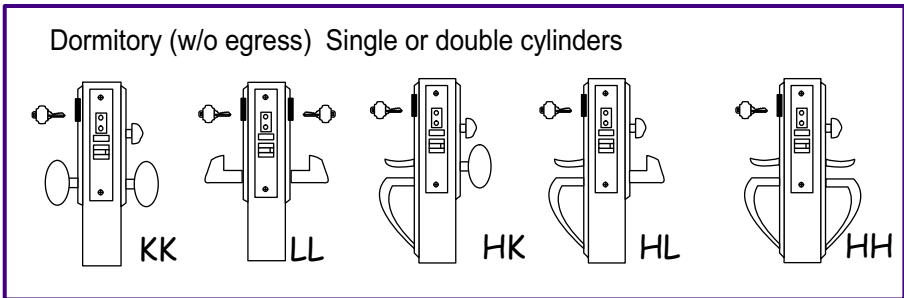
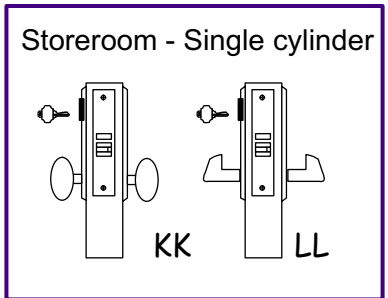
Model AZ-X324 Mounting Bracket is optional. Can be bolted to the lower side of door mortise to stabilize the lock installation.

*Specify handing and Trim style to match when ordering.*



*Failsafe - Locked when energized  
(require power to lock)*

*Failsecure - Unlocked when energized.  
(require power to unlock)*

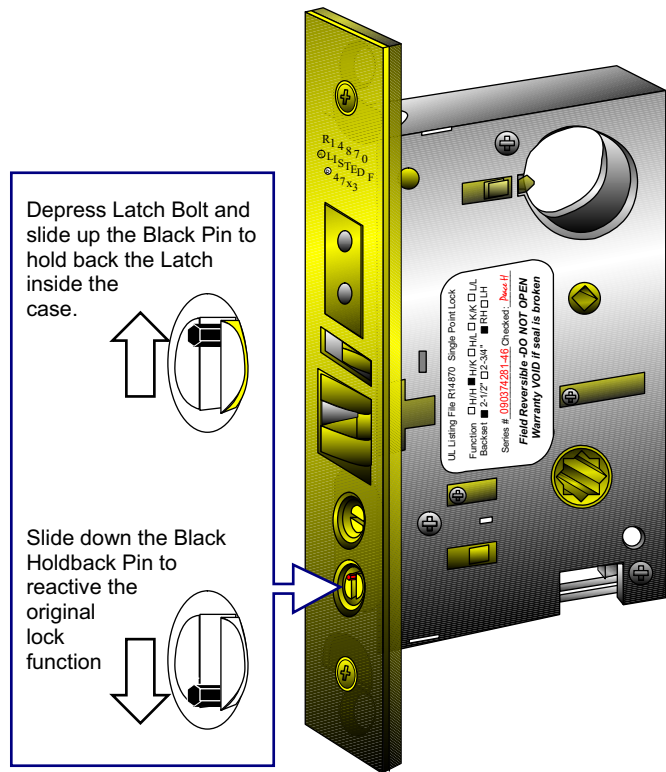


## Mortise Lock cases with Holdback feature

Baton series 'A' Mortise Lock Cases are available to order with holdback feature. A black Holdback Pin is constructed inside the lower Release Button.

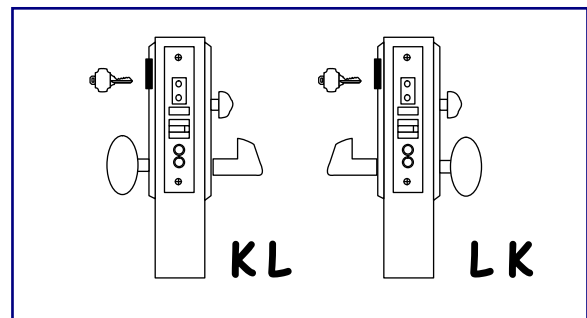
Simply depress the Latch Bolt or withdraw by inside Lever/Knob and slide up the black Holdback Pin that is located on the lower Release Button to hold back the Latch. The function of the lock is now entirely rigid, and the door can be pushed open. Sliding down the black Holdback Pin thus releases the Latch, and automatically reactivates the lock functions.

Outside Lever/Knob/Thumb piece is always rigid. Specify handing when ordering. Handing is not filed-reversible. Please call Baton's CSR for functions available.



## Mortise lock cases for L/K or K/L - Special Trim combinations

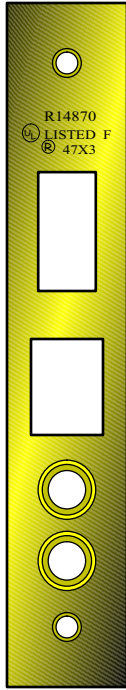
Baton Series 'A' mortise lock cases can be ordered to operate with Knob trim one side and Lever trim another side. Most of the functions are available. Please call Baton's CSR for details.



**Brass, Bronze or Stainless Steel Face Plate for Series 'A' Mortise Lock**



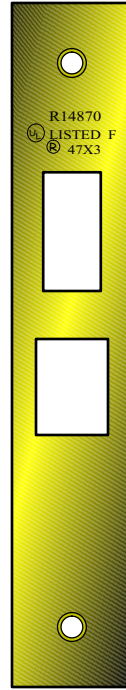
**AZ-F1B**



**AZ-F1C**



**AZ-F1D**



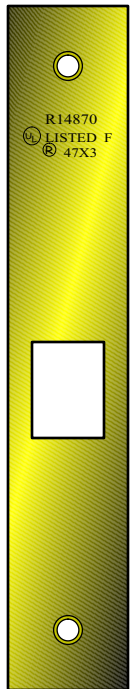
**AZ-F1E**



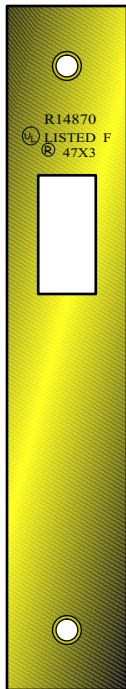
**AZ-F1F**



**AZ-F1G**



**AZ-F1H**



**AZ-F1K**

Face Plates for Series 'A' Mortise Lock are stocked constantly for your convenience. A series number of the Mortise Lock Case must accompany any purchase order for Face Plate. Finishes: US10B, 14, 15, 15A, 19, 26, 26D, 3, 32\*, 32D\* , 4 & 5. Pre-polished brass face plate without lacquer (3N), PVD and other finishes are available to order on OEM bases. Quantity may apply.

Stock No.	Lock Functions
AZ-F1 B	08,20,25, 29,32,35,38
AZ-F1 C	08,20,25, 29,32,35,38 (w/o Auxiliary Latch)
AZ-F1 D	11,13,15,31,36

Stock No.	Lock Functions
AZ-F1 E	02,19
AZ-F1 F	04
AZ-F1 G	05,07, 09
AZ-F1 H	01
AZ-F1 K	16,17

'\*' : stainless steel

Narrow and Extended Strikes for the Mortise Lock are made of brass, bronze, or stainless steel, and are available to order from stock. Furnished with Mounting Screws.

Finishes available :

US10B, 14, 15, 15A, 19, 26, 26D  
3, 3N, 32\*\*, 32D\*\*, 5 & PVD.

Stock No.	Size (Center to Lip)
AZ-S1A	1" (25mm)
AZ-S1C*	1-1/4" (31mm)
AZ-S1E	1-5/8" (41mm)
AZ-S1F	1-7/8" (48mm)
AZ-S1G	2-1/4" (57mm)
AZ-S1S	1-1/4" (31mm)

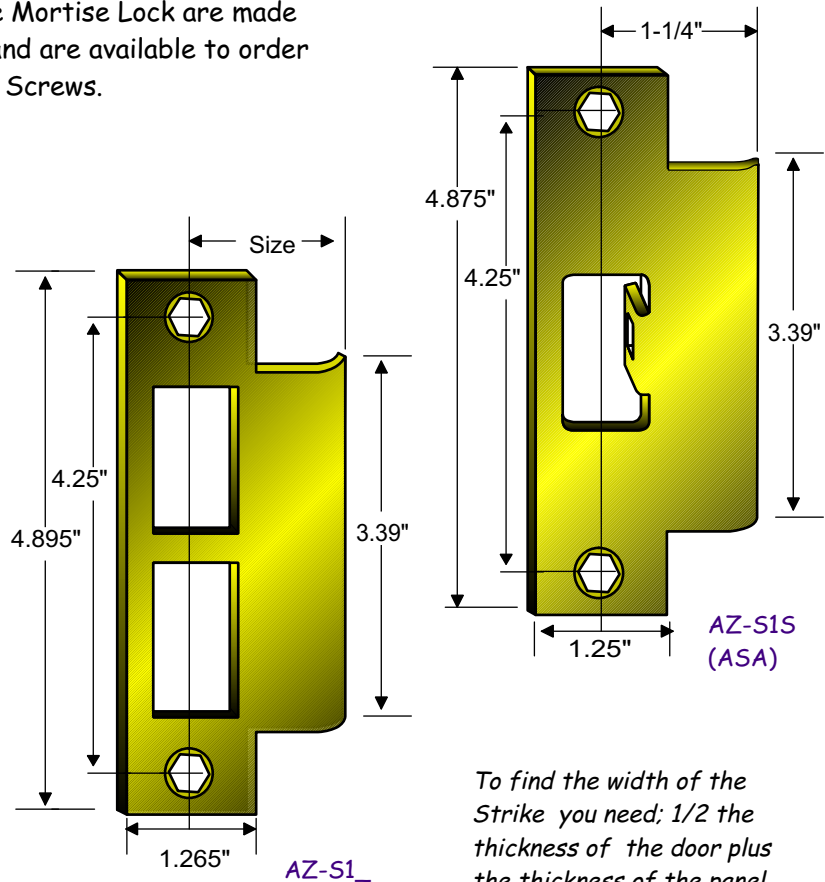
'\*' : Standard size  
'\*\*' : Stainless steel

Model AZ-S2 Heavy Duty Security Strike is made of cold-rolled heavy gauge steel. The two 3" long wood screws allow the Security Strike to be bolted into the door frame deeply and add extra security. The two Strike Screw holes are tapped for easy fastening of the finished Strike.

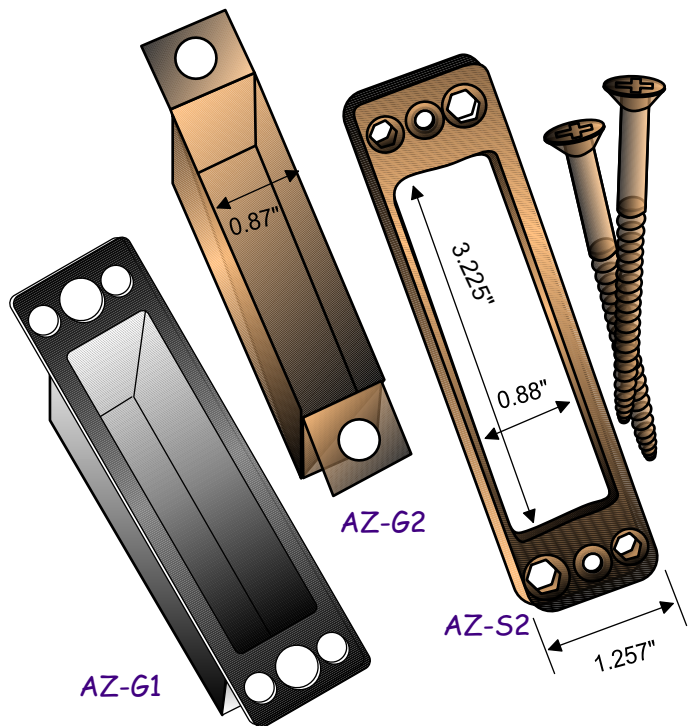
Stock No.	Description
AZ- S2	Security Strike, 1.265" W x 4.875" L

Dust Box can also be ordered as a separate purchase item. Two models are available:  
Model AZ-G1 - plastic, black  
Model AZ-G2 - Steel, yellow zinc or brass plated

Stock No.	Description
AZ- G1	Dust Box, plastic, black
AZ- G2	Dust Box, steel, yellow zinc or brass plated



To find the width of the Strike you need: 1/2 the thickness of the door plus the thickness of the panel.





Catalogue numbers for specific models contain complete information except for the handing. The first two digits specify the series. "A5" for 2" backset mortise lock cases and "A7" for 2-3/4" backset mortise lock cases etc. The following two digits designate the lock function. Please see pages A03~A08 for the most common mortise lock functions. For the custom made special functions, please check with Baton's CSR. The type of Trim style to use is specified by the following two letters. The first letter indicates the outside Trim style and the second letter indicates the inside Trim style. Trim set is excluded. The following letter indicates the finish of exposed parts. Except otherwise specified, Mortise Lock Case is furnished with Faceplate, Strike (1-1/4"), Dust box, Template/ instruction and mounting hardware. The last letter or letters indicate the U.S. standard finish for the Faceplate and Strike. Please see pages A09 and A10 for the available finishes in stock.

**MORTISE LOCK CASE - CODE INTERPRETATION GUIDE:**

**Backset**

A5 = 2"  
A6 = 2-1/2"  
A7 = 2-3/4"  
A9 = 3-1/2"

**Trim Style to match/Outside**

H = Handle  
K = Knob  
L = Lever  
X = N/A

**Finish of exposed parts**

B = Satin brass  
C = Satin chrome  
S = Stainless steel

**Hub size**

6 = 7.3mm on Square  
7 = 7.0mm on square  
8 = 8mm on Square +  
7.3mm on diamond

**Finish (Face plate & Strike)**

10B = Oil Rubbed Bronze  
14 = Polished Nickel  
15 = Satin Nickel  
15A = Satin Nickel Oxidized  
19 = Dull Black  
26 = Bright Chrome  
26D = Satin Chrome  
3 = Bright Brass  
3N = Bright Brass no Lacquer  
4 = Satin Brass  
4N = Satin Brass no lacquer  
5 = Antique Brass  
32 = Polished Stainless Steel  
32D = Satin Stainless Steel  
PVD = Physical Vapor Deposition  
XX = Less Faceplate/Strike

**Bolt/latch to match\***

B / 4  
C / 26D  
C / 26D  
B / 4  
C / 26D  
C / 26D  
B / 4  
B / 4  
B / 4  
B / 4  
C / 26D  
C / 26D  
B / 4  
-----

**Lock Function**

See  
Pages A03 ~ A06  
'Function Charts'

**Trim Style to match/Inside**

H = Handle  
K = Knob  
L = Lever  
X = N/A

- Remarks: 1 ) All Mortise Lock Cases, except otherwise specified, are Non-handed and field-reversible. However, the lock case can be preset to specific handing as per request.  
 3) Mortise cylinder is excluded. Please see page A20, A21 and A22 for styles and sizes available.  
 4) '\*' Showed as standard matching except otherwise specified by order.

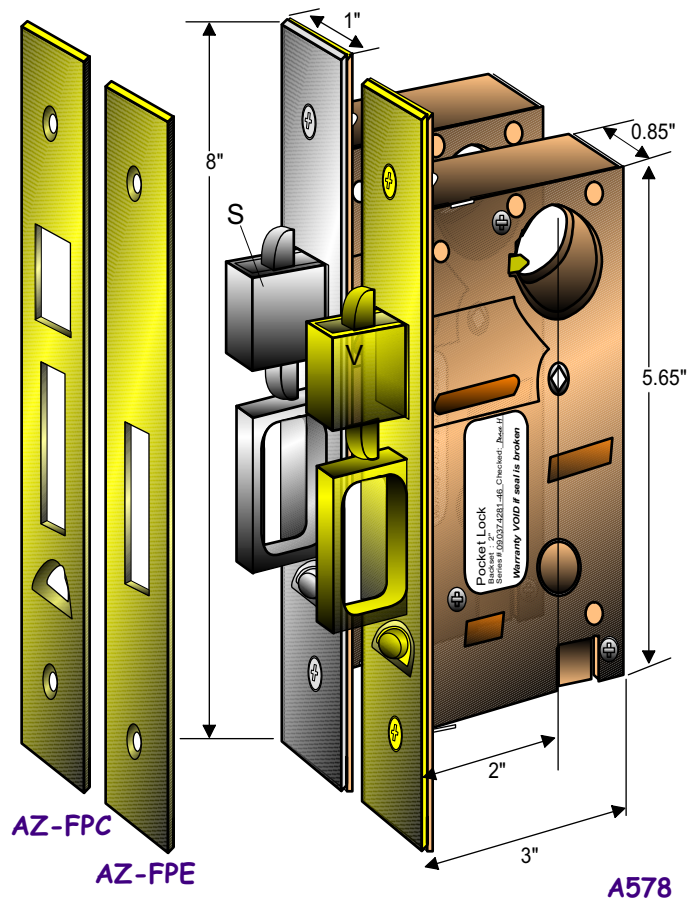
A13

Model A578 Mortise Pocket Lock Case is made of zinc plated heavy wrought steel; constructed with a 1" throw hock type Deadbolt. The 1" wide armor front and finished Faceplate accommodates both thin or thick sliding doors.

Both the pop up Door Pull and the Hock Deadbolt are made of investment casting stainless steel. Two finishes for the exposed parts ( Door Pull, Hook Bolt and Release button) are available from stock:

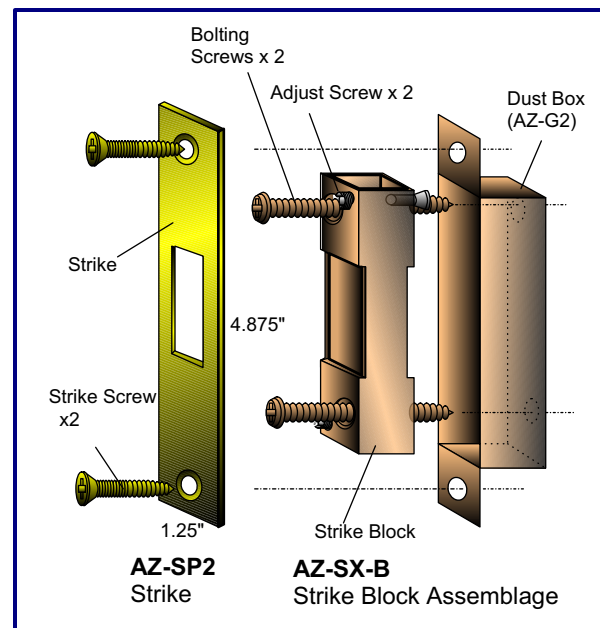
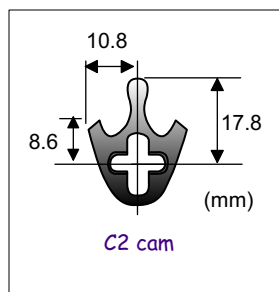
- 'S' = US32D - Satin stainless steel, or
- 'V' = PVD/gold over Satin stainless steel

Depress the release button that is located at the lower part of the lock front; the Door Pull pops out immediately for door closing. Door Pull is held inside the lock case by pushing in position. The Hock bolt can be operated by key from outside or by Thumb Turn inside. The lock case takes any standard Mortise Cylinder (1.15" - 32uns-2b) that is formed with a 'C2' type cam. Cylinder is excluded. Please see Baton series 'AC' Mortise Cylinders and various finishes for your selection. To find the length of the flush mount mortise cylinder you need: 1/2 the thickness of the door.



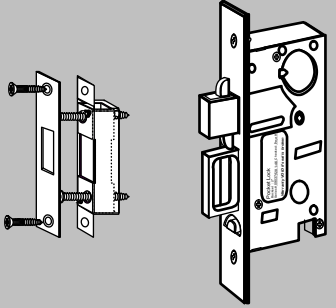
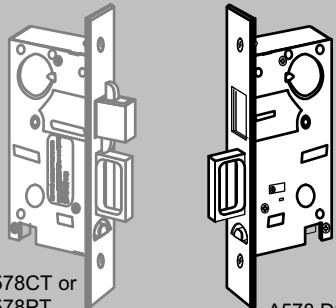
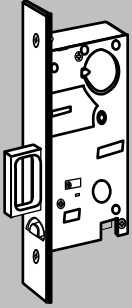
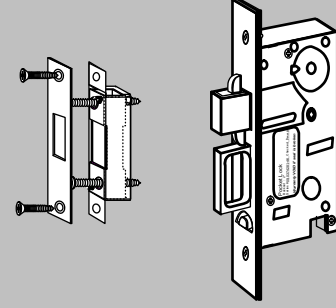
The specially designed adjustable Strike Assemblage is furnished with a metal dust box, Strike block, one pair of the 3" long bolting screws. The adjustable screws x 2 on Strike block allows for your fine tuning adjustment for the proper hold of the lock and door prior to the fastening of the finished Strike.

Three models, Entrance, Privacy and Passage are available to order from stock. A Dummy Block can also be ordered for the double door application. Please see the Function Chart on following page for details. Backset: 2" (50mm)  
Finishes: US10B, 15, 19, 26D, 3, 32D & 4



**AZ-SK Strike Block Unit**

**Series 'A578' Pocket Lock -  
Function Chart**

Model No.	Backset	Function	Depiction
A578 CT	2" (50mm)	<p><b>Entrance</b></p> <p>Hock Bolt by Thumb Turn inside and key from outside. Door Pull pops up by depressing the lower release button. Door Pull Trigger keeps the Door Pull flush with the lock front once door is closed or by pushing the Door Pull.</p>	
A578 DS	2" (50mm)	<p><b>Dummy (for double door)</b></p> <p>Door Pull pops up by depressing the lower release button. Door Pull Trigger keeps the Door Pull flush with the lock front once door is closed or by pushing the Door Pull.</p>	 <p>A578CT or A578PT (excluded)</p> <p>A578 DS</p>
A578 EP	2" (50mm)	<p><b>Passage (Edge Pull)</b></p> <p>Door Pull pops up by depressing the lower release button. Door Pull Trigger keeps the Door Pull flush with the lock front once door is closed or by pushing the Door Pull.</p>	
A578 PT	2" (50mm)	<p><b>Privacy</b></p> <p>Hock Bolt by Thumb Turn inside and emergency release outside. Door Pull pops up by depressing the lower release button. Door Pull Trigger keeps the Door Pull flush with the lock front once door is closed or by pushing the Door Pull.</p>	

*Remark: Mortise cylinder and Trim set are excluded. Please consult following pages for the selection of Cylinders and Trim sets.*

Series TA10 Pocket door lock trim is made of selected brass. The recess design allows for the door to be fully withdrawn inside the door pocket. Three trims: Entrance, Passage and Privacy are available from stock.

**Entrance Trim**

Model TA10C Entrance trim has a recess cut out to take 'AC' Mortise Cylinder for flush mount. The Trim is secured with the Pocket lock case by the Mortise Cylinder and wood screws x 3 on to the door.

**T-turn Trim**

Model TA10T Thumb Turn Trim has a breakable tail piece, drives the Hock Bolt and exterior privacy indicator button of the Privacy Trim when is applied and engaged; works for door thickness from 1-3/8" to 2-1/2". The T-Turn Trim is secured with the Pocket lock case by a machine screw and wood screws x 2 on to the door.

**Privacy/Passage/Dummy Trim**

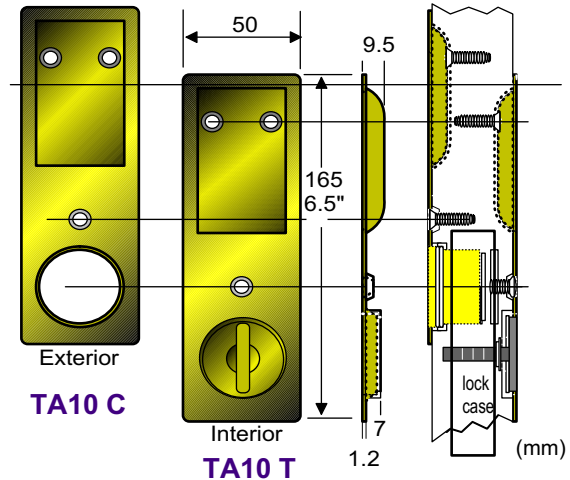
The indication button constructed on model TA10P Privacy Trim has slots on both sides, and allows it to be driven by the interior T Turn, or works as an emergency release turn knob from outside when the button is engaged. The Privacy Trim can also be worked for the Passage or Dummy applications, disengaging from the T Turn by shortening the tail piece. The Trim is secured with the Pocket lock case by a machine screw and wood screws x 2 onto the door.

Furnished with mounting screws as standard.  
Finishes: US10B, 15, 19, 3

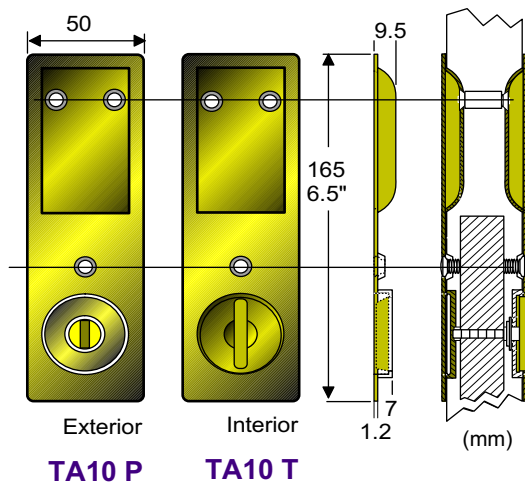
Stock No.	Description
TA10 C	Entrance Trim
TA10 P	Privacy/Passage/Dummy Trim
TA10 T	T Turn Trim

Remark: Mortise cylinder excluded, Please see the following pages for optional cylinders.

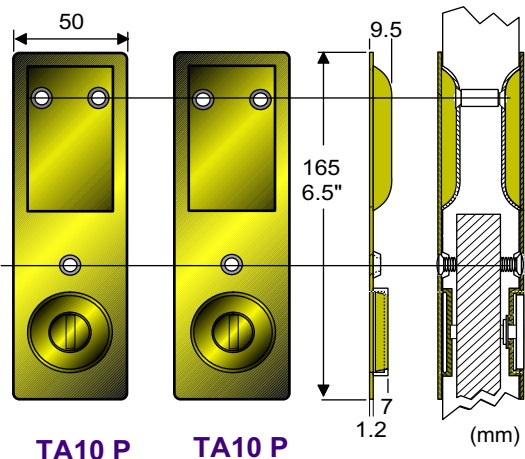
**Entrance application**



**Privacy application**



**Passage/Dummy application**



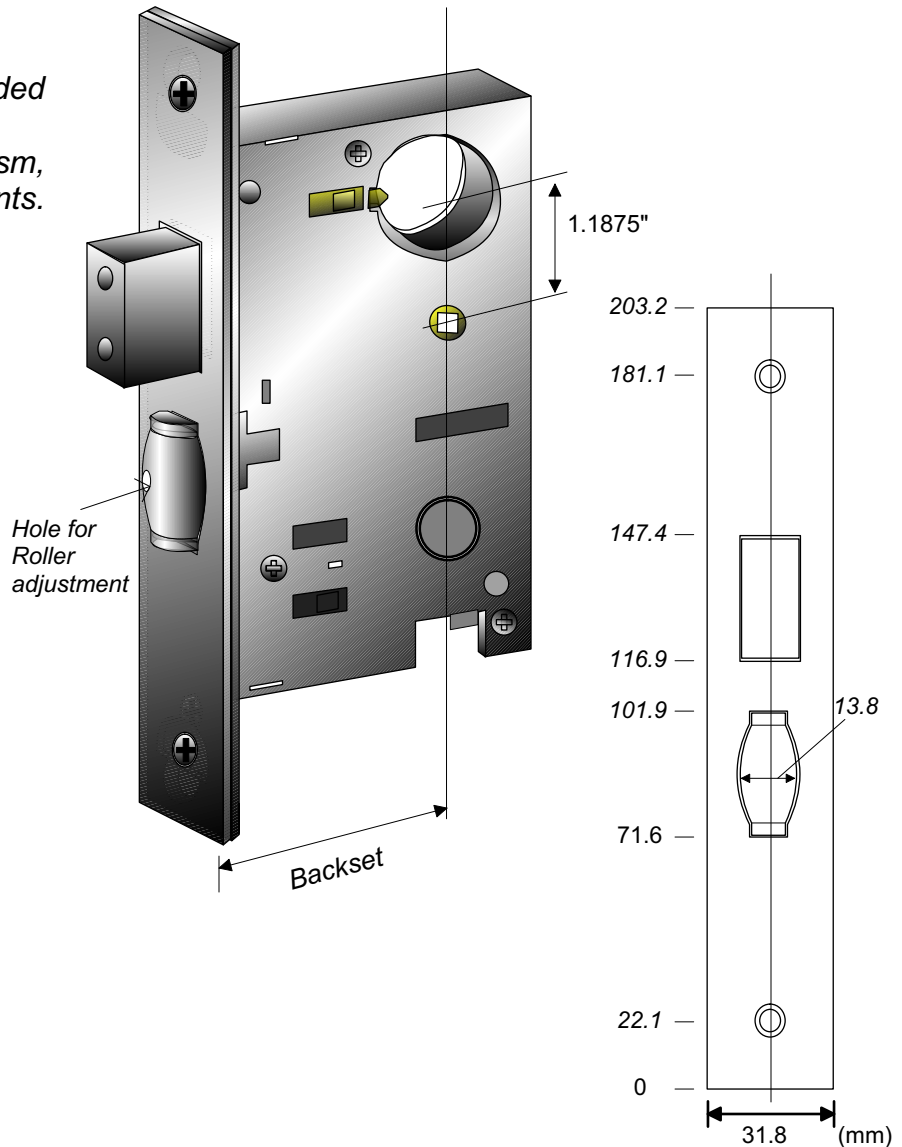
The Baton Roller Latch Lock Case has the same configuration as the series A Mortise Lock Case, ideal for push / pull applications. The spring loaded roller unit is featured with a strength adjustable mechanism, allows for fine-turn adjustments.

The privacy / Deadbolt constructed can be operated by key outside and thumb turn inside, or by key both side.

Deadbolt and Roller Unit are available in 'B' / satin brass or 'C' / satin chrome finishes for your choice. Furnished with Faceplate, non-handed Strike Unit, Dust Box and Mounting Screws.

Backset : 2.5", 2.75", 3.5"

Finishes : US10B, 3, 4, 32D



Model No	Backset	Function	Depiction
A 648 A 748 A 948	2.5" 2.75" 3.5"	<b>Roller Latch Lock</b>  Latch by push / pull operation. Deadbolt operated by key outside and Turn Piece inside.	 single cylinder or double cylinder

A17

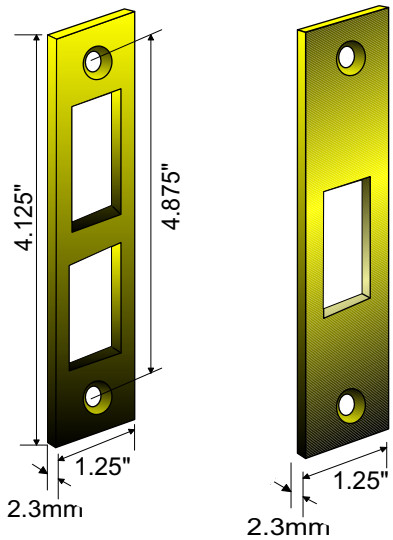
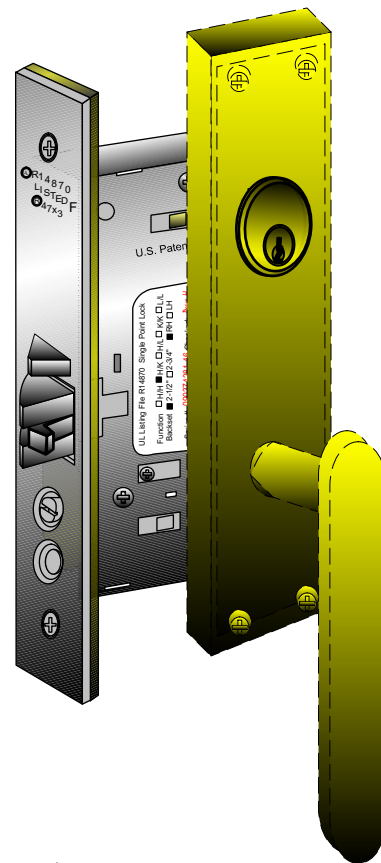
Baton series A Mortise Lock cases are available to be constructed with HookBolt and Hook Latch for the Barn Door or Pocket Door applications.

The spring loaded Hook Latch constructs with a 3/16" thick hook while the Hookbolt constructs with double hook to deadlock on to the Strike. All made of forged brass and satin chrome plated. Two anti-saw hardened steel rollers are installed on to the Hookbolt.

Except otherwise specified, lock cases are supplied with KK hubs only that allows to turn in both ways. Handing setup on escutcheon/trim is recommended when Lever/Lever is apply. Many functions are available to order. Please refer to the function chart of the following page for details. Furnished with Faceplate, Strike and mounting Screws.

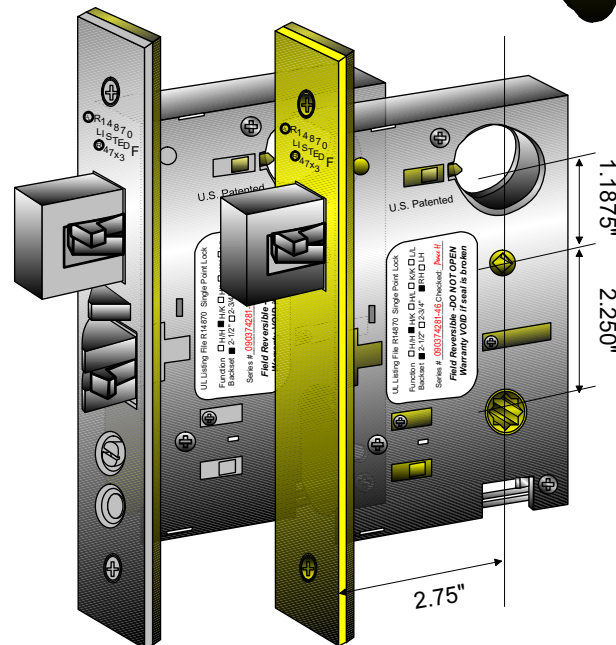
Backset : 2-3/4"

Finishes: 10B, 19, 3, 32, 32D, 4



AZ-SP5

AZ-SP3



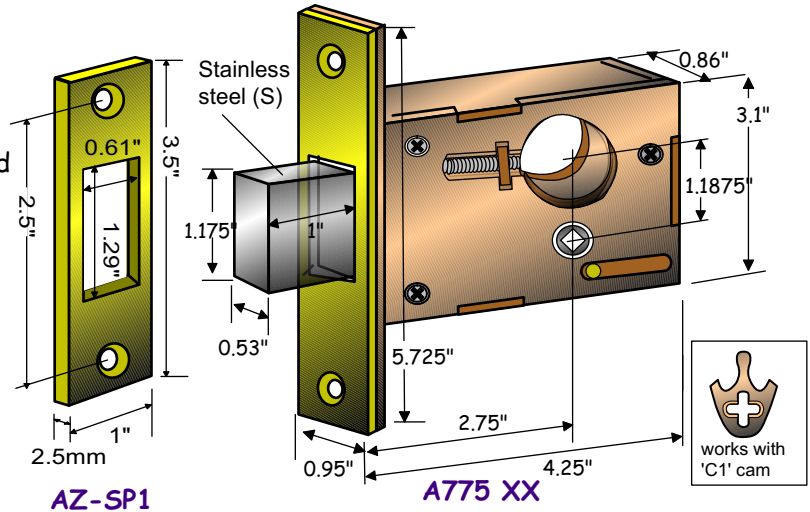
**Series 'A700' Barn / Pocket  
Lock Cases - Function Chart**

Model No	Backset	Function	Depiction	Specify Trim style to fit when ordering
A751	2.75"	<b>STOREROOM / DEADLOCK **</b> Hookbolt is operated by Key either side or by Turn Piece from inside. Inside Knob/Lever retracts Hookbolt. Outside Knob/Lever is always inoperative.		 
A752	2.75"	<b>DORMITORY ** (without egress)</b> Latch by Knob/Lever from either side except when projected Hookbolt locks outside/inside Knob and Hookbolt. Hookbolt by Key outside, by Turn Piece inside, automatically unlocking outside/inside Knob/Lever. Auxiliary Latch deadlocks Hook Latch.		 
A753	2.75"	<b>DORMITORY (with egress)</b> Hook Latch by Knob/Lever on either side except when projected Hookbolt locks outside Knob/Lever and deadlocks Hook Latch. Hookbolt/Hook Latch by Key outside. Hookbolt by Turn Piece inside. Inside Knob/Lever retracts Hook Latch and Hookbolt simultaneously, automatically unlocking outside Knob/Lever. Auxiliary Latch deadlocks Latch.		 
A754	2.75"	<b>OFFICE / CORRIDOR</b> Hook Latch by Knob/Lever on either side except when outside Knob/Lever is locked by Stop Button in front, or by T Turn from inside, then by Key outside or by Knob/Lever inside. Auxiliary Latch deadlocks Hook Latch.		 
A756	2.75"	<b>STOREROOM</b> Hook Latch by Knob/Lever from inside, by Key from outside. Outside Knob/Lever is always inoperative. Auxiliary Latch deadlocks Hook Latch.		 
A757	2.75"	<b>ENTRANCE ** (without egress)</b> Hook Latch by Knob/Lever from either side except when outside is locked by Stop Button; then by Key from outside, by Knob/Lever from inside. Hookbolt by Turn Piece from inside, by Key from outside. Auxiliary Latch deadlocks Hook Latch.		 
A758	2.75"	<b>ENTRANCE (with egress)</b> Hook Latch by Knob/Lever from either side except when outside is locked by Stop Button or projected Hookbolt. Hook Latch deadlocks by Hookbolt. Hookbolt and Hook Latch by Key outside. Hookbolt by Turn Piece inside. Inside Knob/Lever retracts Hook Latch and Hookbolt simultaneously. Auxiliary Latch deadlocks Hook Latch.		 

Remarks : 1) " \* " Through bolting holes on lock case are not available. Sectional Knob/Lever set is not recommended.  
2) " \*\* " Applies for Single or Double Cylinders

**Mortise Dead Lock Case**

Models A775 Mortise Dead Lock Case is made of heavy wrought steel, zinc plated, constructed with a 1" throw solid stainless steel deadlocking bolt. The 1" throw bolt can be operated by mortise cylinder (see page A19, A20) and or thumb turn (page T24) either side or both sides. The 0.95" wide adjustable armor front accommodates both thin or thick and beveled or flat-edged doors. Non-handed.

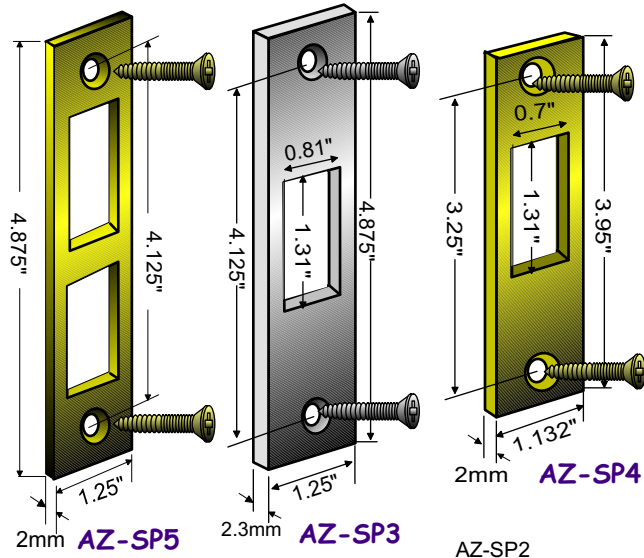


Furnished with Faceplate, Strike (AZ-SP1) and mounting Screws.  
Hub size : 5.1mm on diamond.  
Backset : 2-3/4" (70mm)

**Strike and Strike Block Unit**

Strikes Block Assemblage and Strikes in various sizes for Deadlock, Hocklock/ Pocket locks are stocked constantly for your convenience. 4 styles are available. Furnished with #12 + 12-24 x 1" double threaded combination screws x 2.

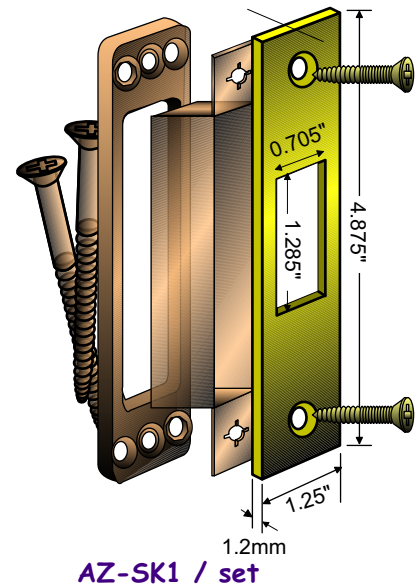
The Strike Block Assemblage consists of the finished Strike, Screws, a metal Dust Box and a 3mm thick heavy duty Security Strike. The two 3" long wood screws allow the Security Strike to be bolted into the door frame deeply for additional security.



Stock No.	Description	Finishes on hand
A775XX5S	Mortise Dead Lock Case, 2-3/4"	10B, 15A, 26D, 3
AZ-SP1	Strike, 3.5"	10B, 15A, 19, 26D, 3, 4
AZ-SP2	Strike, 4.875"	10B, 15, 19, 26D, 3, 4, 32D
AZ-SP3	Strike, 4.875"	10B, 15, 19, 26D, 3, 4, 32D
AZ-SP4	Strike, 3.95"	10B, 15, 19, 3
AZ-SP5	Strike, 2 holes, 4.875"	10B, 19, 3, 4, 32D
AZ-SK1	Strike Block Unit	

Note:

- 1) Cylinder excluded for Dead lock Case. Please refer to Page A19, A20 for Series 'AC' Solid Brass Mortise Cylinders, and page A21, page D03 for the Security Collars.
- 2) Thumb Turn - please refer to for 'TX' series per page T24.



AZ-SK1 / set



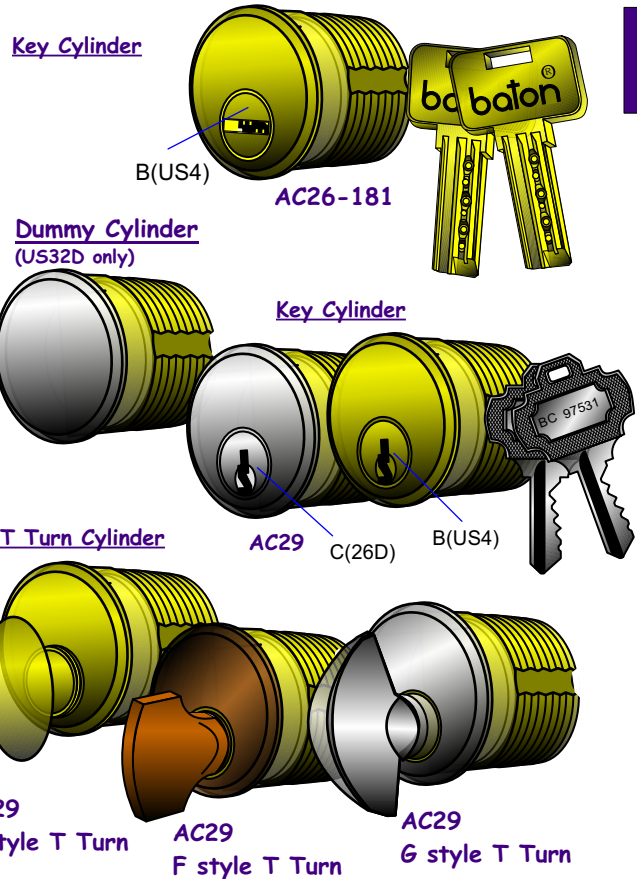
# Series 'AC26' & 'AC29' Beveled Head Solid Brass Mortise Cylinders

Baton's Series AC29 mortise cylinder is made of extruded solid brass. The unique bevel head design provides both for the recess and flush mount escutcheon a glaring of style and beauty. 'Schlage-C' keyway. Two large bow keys are included as standard. In-house keying services for Keyed Alike (KA), Master Keying (MK), single and double lever construction Keying (CK1, CK2) are available. Please refer to page X05 for the available in-house keying services. Available in US10, 10B, 14, 15, 15A, 19, 26, 26D, 3, 3N, 4, 32D, 5 & PVD. Finish is applied to the Cap over a US4(B) or 26D(C) finished barrel (please specify). Except otherwise specified, cylinder is furnished with one 'YA' straight cam only. The 1/8" offset cam (YB) or others can be purchased separately. Custom made extended Mortise cylinders are available to order. Please call Baton's CSR for details.

The cylinder can also be ordered with elegant Thumb Turn to pair with the key cylinder. Three style of the Thumb Turns are available for your convenience.

- 'E' style T Turn -  
Finishes/T turn : US10B, 15, 19, 26, 26D, 3, 4
- 'F' style T Turn -  
Finishes/T Turn : US10B, 15, 19, 26D, 3, 4
- 'G' style T Turn -  
Finishes/T Turn : US10B, 14, 15, 15A, 26, 3, 4

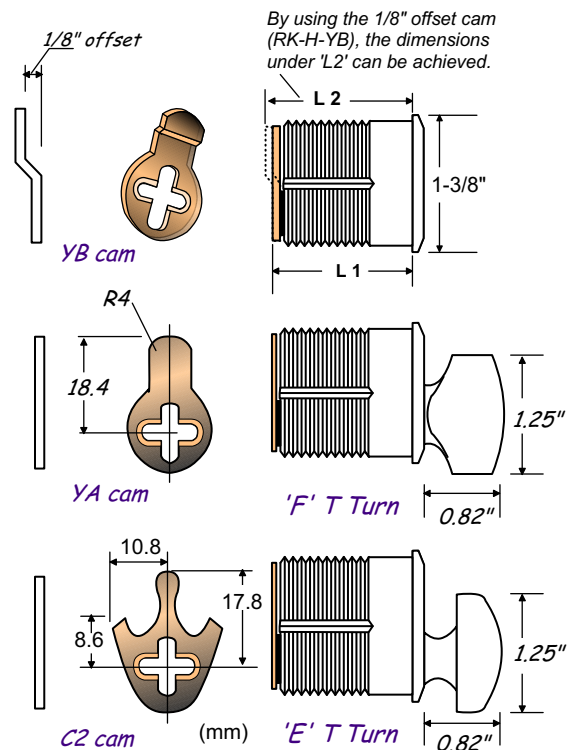
Model AC26-181 features a reversible dimple key profile protection. Supplied with Keyed Different (KD) or Keyed Alike (KA) in pair. Included 2 keys per cylinder as standard.



Stock Nos.		Size		
Key/Dummy cylinder D or B, C Barrel*	Pins	T turn Cylinder	L 1 w/straight cam (YA)	L 2 w/ offset Cam (YB)
AC29-179 B/C/D	5	AC29-179 E/F/G	15/16"	1-1/16"
AC29-180 B/C/D	5	AC29-180 E/F/G	1"	1-1/8"
AC29-181 B/C/D	5	AC29-181 E/F/G	1-1/8"	1-1/4"
AC29-182 B/C/D	5	AC29-182 E/F/G	1-1/4"	1-3/8"
AC29-183 B/C/D	5	AC29-183 E/F/G	1-3/8"	1-1/2"
AC29-184 B/C/D	5	AC29-184 E/F/G	1-1/2"	1-5/8"
AC29-185 B/C/D	5	AC29-185 E/F/G	1-5/8"	1-3/4"
AC29-186 B/C/D	5	AC29-186 E/F/G	1-3/4"	1-7/8"
AC29-200 B/C/D	5	AC29-200 E/F/G	2"	2-1/8"
AC29-282 B/C/D	6	AC29-282 E/F/G	2-1/4"	2-3/8"
AC29-284 B/C/D	6	AC29-284 E/F/G	2-1/2"	2-5/8"
AC29-CX B/C/D	6	AC29-CX E/F/G	custom	-
AC26-181B	5	N/A	1-1/8"	N/A

**Remarks:**

- 1 - '\*' Barrel in US26D (C) or US4 (B) finish; 'D' = Dummy. Specify when ordering.
- 2 - To find the length of the cylinder you need: 1/2 the thickness of the door plus the projection height of the trim at cylinder location.



## Series 'AC30' & 'AC31' Flat head Solid Brass Mortise Cylinders

A21

Baton's Series AC30, 31 flat head mortise cylinder is made of extruded solid brass. 'Schlage-C' keyway. Two large bow keys are included as standard. In-house keying services for Keyed Alike (KA), Master Keying (MK), single and double lever construction Keying (CK1, CK2) are available. Please refer to page X05 for the details. Available in US10, 10B, 14, 15, 15A, 19, 26, 26D, 3, 3N, 4, 32D, 5 & PVD. Finish is applied to the Cap over a US4(B) or 26D(C) finished barrel (please specify). Except otherwise specified, cylinder is furnished with one 'YA' straight cam only. The 1/8" offset cam (YB) or other cams can be purchased separately. Custom made extended Mortise cylinders are available to order. Please call Baton's CSR for details.

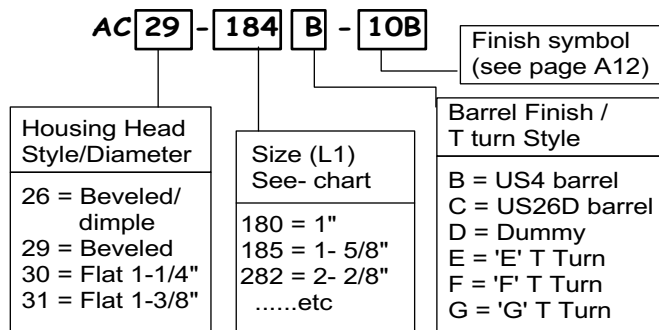
The cylinder can also be ordered with elegant Thumb Turn. Please see page A20 for the styles and finishes available.

Stock Nos.		Size		
Key Cylinder B or C Barrel	Pins	T turn Cylinder	L 1	L 2
			w/straight cam (YA)	w/offset cam (YB)
AC30-178 B/C/D	4	AC30-178 E/F/G	3/4"	7/8"
AC30/31-179 B/C/D	5	AC30/31-179 E/F/G	15/16"	1-1/16"
AC30/31-180 B/C/D	5	AC30/31-180 E/F/G	1"	1-1/8"
AC30/31-181 B/C/D	5	AC30/31-181 E/F/G	1-1/8"	1-1/4"
AC30/31-182 B/C/D	5	AC30/31-182 E/F/G	1-1/4"	1-3/8"
AC30-183 B/C/D	5	AC30-183 E/F/G	1-3/8"	1-1/2"
AC30/31-184 B/C/D	5	AC30/31-184 E/F/G	1-1/2"	1-5/8"
AC30/31-185 B/C/D	5	AC30/31-185 E/F/G	1-5/8"	1-3/4"
AC30/31-186 B/C/D	5	AC30/31-186 E/F/G	1-3/4"	1-7/8"
AC30/31-200 B/C/D	5	AC30/31-200 E/F/G	2"	2-1/8"
AC30/31-282 B/C/D	6	AC30/31-282 E/F/G	2-1/4"	2-3/8"
AC30/31-284 B/C/D	6	AC30/31-284 E/F/G	2-1/2"	2-5/8"
AC30/31-CX B/C/D	6	AC30/31-CX E/F/G	custom	-

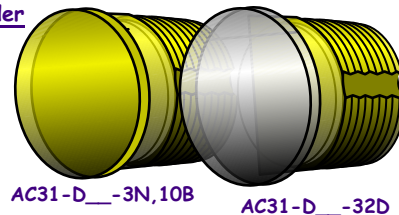
**Remarks:**

- 1 - '\*' Barrel in US26D (C) or US4 (B) finish; 'D' = Dummy. Specify when ordering.
- 2 - To find the length of the cylinder you need: 1/2 the thickness of the door plus the projection height of the trim at cylinder location.

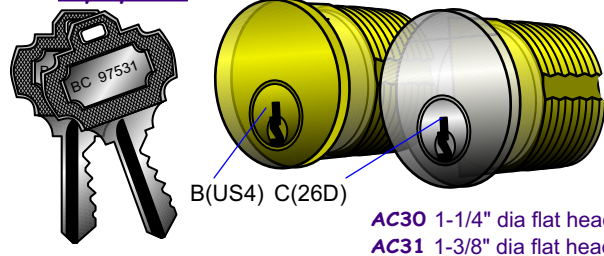
### Mortise Cylinder Code Interpretation Guide



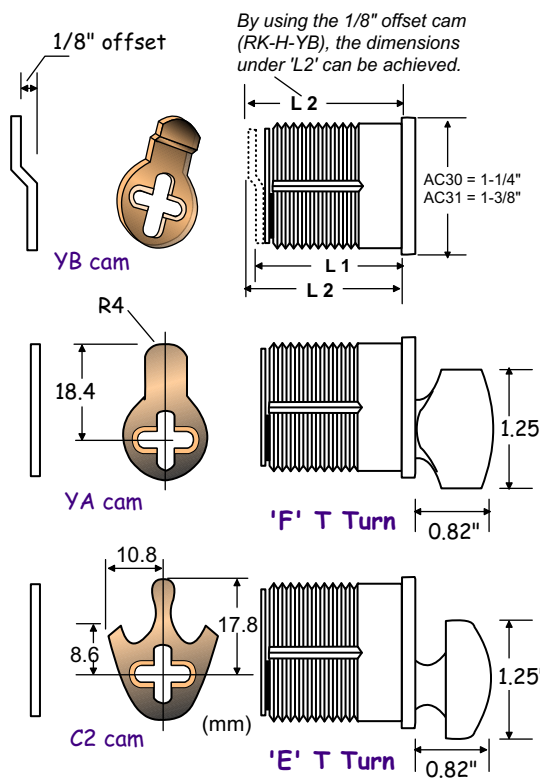
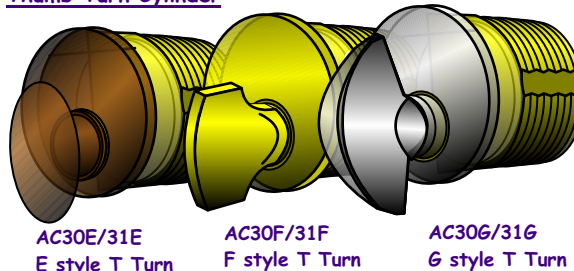
#### Dummy Cylinder



#### Key Cylinder



#### Thumb Turn Cylinder



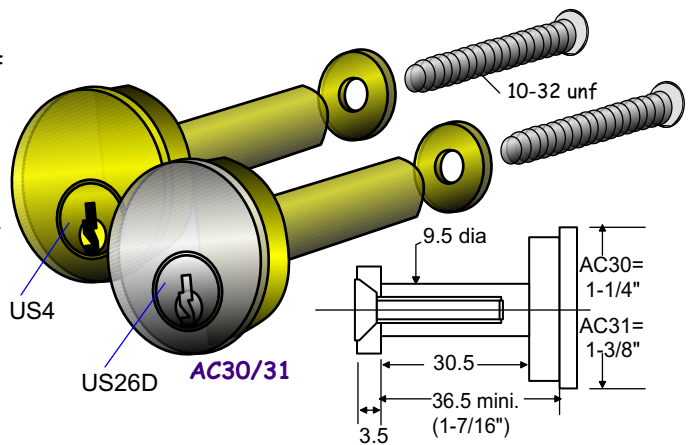
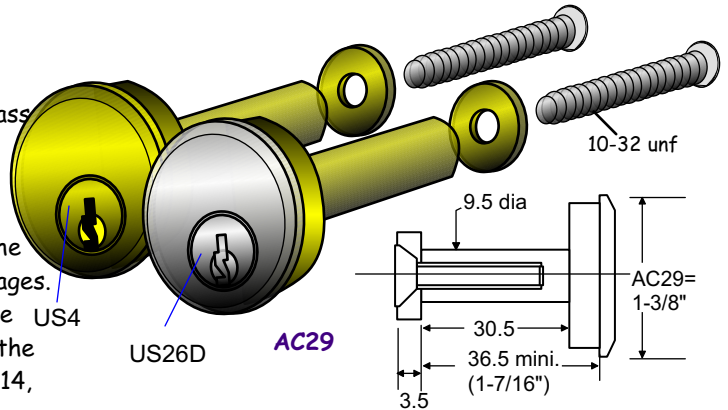
**Dummy Cylinder assemblage**

The Dummy Cylinder is made out of machined brass with finished cap over an US3, US4 or US26D finished dummy barrel.

The finished cap is the same as being used for the Series 'AC' cylinders as showed the front two pages. Bevel or Flat styles, to pair with the true Mortise US4 cylinder selected perfectly. Finish is applied to the cap as the AC cylinders. Available in US10, 10B, 14, 15, 15A, 19, 26, 26D, 3, 32, 32D, 4, 5 & PVD.

Furnished with backup washer and one piece each of 1" and 1-1/2" long mounting screws, for use up to 2-1/2" thick door mount.

Stock No.	Description
AC29-DS-__	Dummy Cyl assemb. Bevel head
AC30-DS-__	Dummy Cyl assemb. Flat head
AC31-DS-__	Dummy Cyl assemb. Flat head



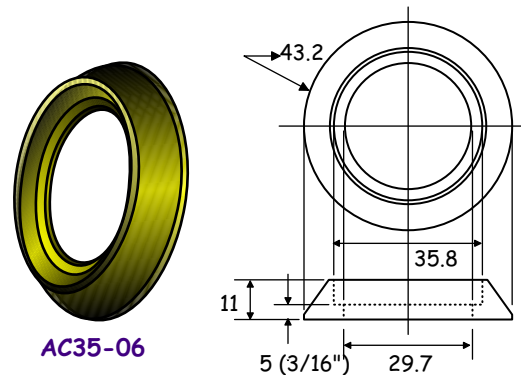
**Security Collars**

Model AC35-06 Security Collar is made out of hardened steel. Furnished with wave or coil washer. Projection: 3/16\".

Finishes:

US10B, 15A, 26 & 3

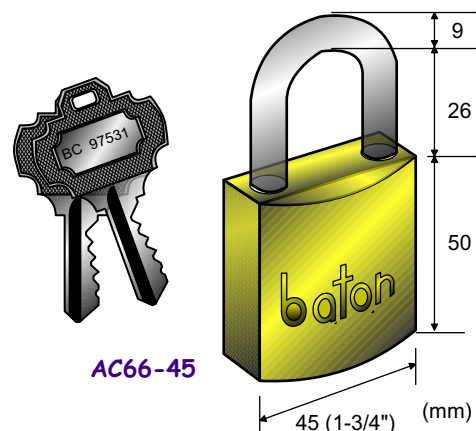
Stock No.	Description
AC35-06-__	Security Collar 3/16" projection



**Brass Padlock, rekeyable**

Model AC66-45 Brass padlock is constructed with a spring loaded double locking, rust proof stainless steel shackle. Supplied with a 'Schlage-C' key way removable cylinder (drilled for 6 pin and pinned for 5). 2 "0" bit 5 pin keys included. The brass padlock can be keyed to the same system of the series 'AC' Mortise, 'D4' Deadbolt and 'EC' Euro Profile Cylinders.

Stock No.	Description	Size
AC66-45	Brass Padlock	1.75"(45mm)



# Door Handing & Installation Manual for series A500 2" Backset Mortise Lock Cases

A23

## **CAUTION!! DO NOT OPEN THE CASE CAP ALWAYS WEAR EYE PROTECTION**

- The Mortise Lock Case is a precision mechanical product, constructed with a number of moving parts and springs. It requires a special jig and technique to assemble. Opening the case cap without using a proper jig and or tool may result in serious personal injury by flying parts and springs.
- **Removing the case cap to change the handing is not necessary.** Please read the following carefully before changing the handing and installing the Mortise Lock Case.

### **Step 1 -**

Remove the Faceplate Screws and the outer Faceplate

### **Step 2 -**

Depress the Latch Bolt and remove the Latch Screw

### **Step 3 -**

Pull the Latch Bolt, rotate 180 degrees, and then snap the Latch Bolt back to its working position in slot. Fasten the Latch Screw. For a Passage Function lock and or any other function locks that uses a H/L or H/K trim set, go to Step 5.

### **Step 4 - (changing egress)**

Depress the Release Button. Remove the Stop Button Screw and the Block. Place the Block to the Stop Button Slot on the reverse side of the lock case and fasten with the Stop Button Screw.

### **Step 5 -**

Adjust the proper angle of the Armor Front to fit the Beveled or Flat edge door, and fasten the Armor Front adjustment Screws.

The Armor Front of the lock is designed for a maximum of 2.5 degrees rotation (or a maximum 1/8" beveled cut for a 2" thick x 4' wide door), left or right, bevel adjustments. Any greater angle may cause lock jam or malfunction.

### **Step 6 -**

Install the lock case on to the door, fasten with Armor Front Screws.

### **Step 7 -**

Install the Trim Set\*\* (See Installation Instruction For Trim Set)

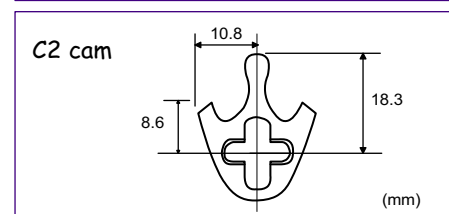
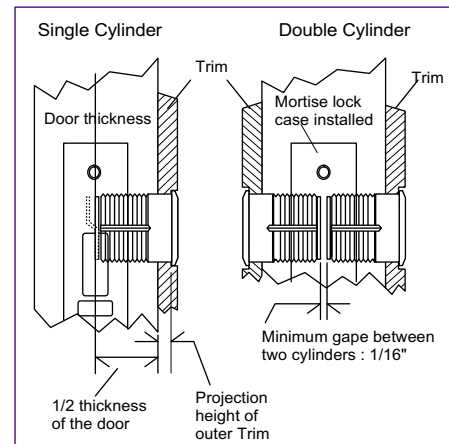
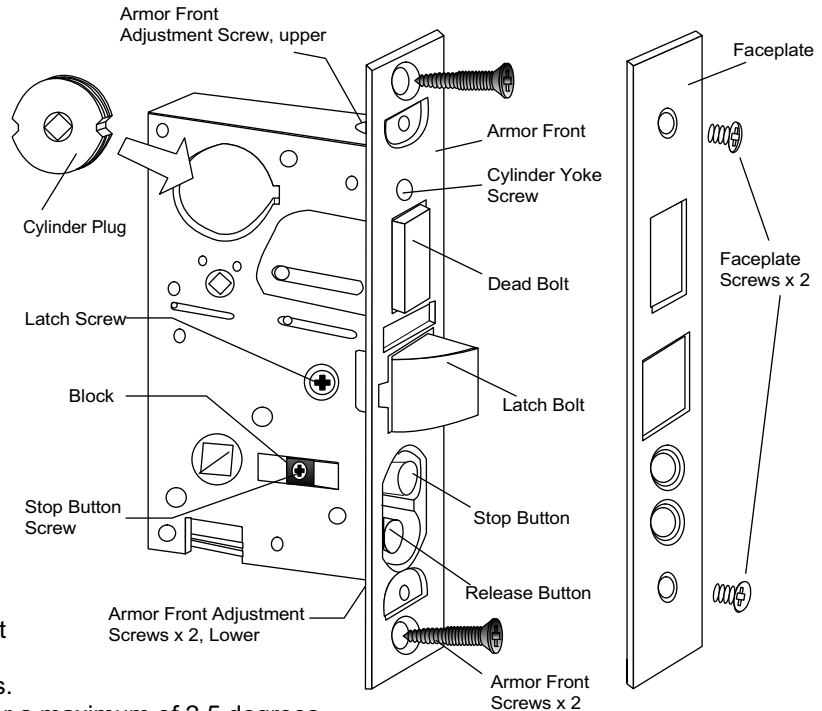
### **Step 8 -**

Install the Mortise Cylinder\*\*, if applicable. The Mortise Lock Case takes any standard Mortise Cylinder (1.15" -32NS) that is formed with a 'C2' type cam only. Proper length of the cylinder is required to ensure the smooth operation. Cylinder length can be determined by calculating 1/2 door thickness plus the projection height of the Trim or the Security Collar for the cylinder. If you use a single cylinder only, the Cylinder Plug must be installed on to the other side of the Cylinder Slot, prior to fastening the Cylinder Yoke Screw. You may use a spindle to screw the Cylinder Plug into the slot. Make sure one of the notches is lined up, to engage the Cylinder Yoke, as well as the cylinder.

### **Step 9 -**

Attach the Faceplate and fasten with the Faceplate Screws.

**Test the lock function before CLOSING DOOR.**



\*\*\*: Trim set and Cylinder are separate purchase items.

# Door Handing & Installation Manual for Series A600, A700 & A900 Mortise Lock Cases

## **CAUTION!! DO NOT OPEN THE CASE CAP ALWAYS WEAR EYE PROTECTION**

- The Mortise Lock Case is a precision mechanical product, constructed with a number of moving parts and springs. It requires a special jig and technique to assemble. Opening the case cap without using a proper jig and or tool may result in serious personal injury by flying parts and springs.
- **Removing the case cap to change the handing is not necessary.** Please read the following carefully before changing the handing and installing the Mortise Lock Case.

### **Step 1 -**

Remove the Faceplate Screws and the outer Faceplate

### **Step 2 -**

Remove the Latch Screw

### **Step 3 -**

Loosen the Armor Front Adjustment Screws, upper and lower X3.

### **Step 4 -**

Pull the Latch Bolt assembly just enough to rotate 180 degrees, and then snap the Latch Bolt assembly back to its working position in slot. **Fasten Latch Screw.** For a Passage Function lock and or any other function locks that uses a H/L or H/K trim set, go to Step 6.

### **Step 5 - (changing egress)**

Depress the Release Button and remove the Stop Button Screw. Rotate the Stop Button 180 degrees and fasten the Stop Button Screws.

### **Step 6 -**

Adjust the proper angle of the Armor Front to fit the Beveled or Flat edge door, and fasten the Armor Front adjustment Screws. The Armor Front of the lock is designed for a maximum of 2.5 degrees rotation (or a maximum 1/8" beveled cut for a 2" thick x 4' wide door), left or right, bevel adjustments. Any greater angle may cause lock jam or malfunction.

### **Step 7 -**

Install the lock case on to the door, fasten with Armor Front Screws.

### **Step 8 -**

Install the Trim Set\*\* (See Installation Instruction For Trim Set)

### **Step 9 -**

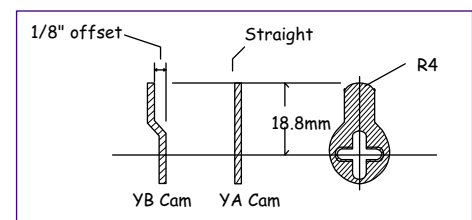
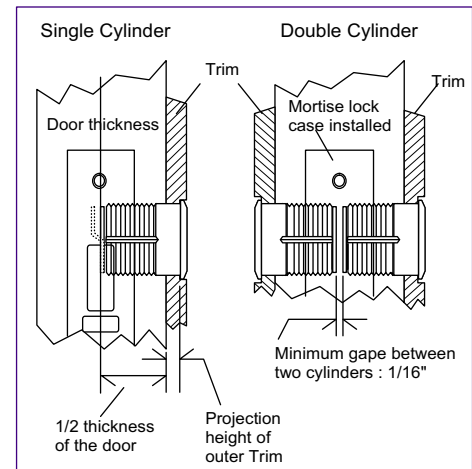
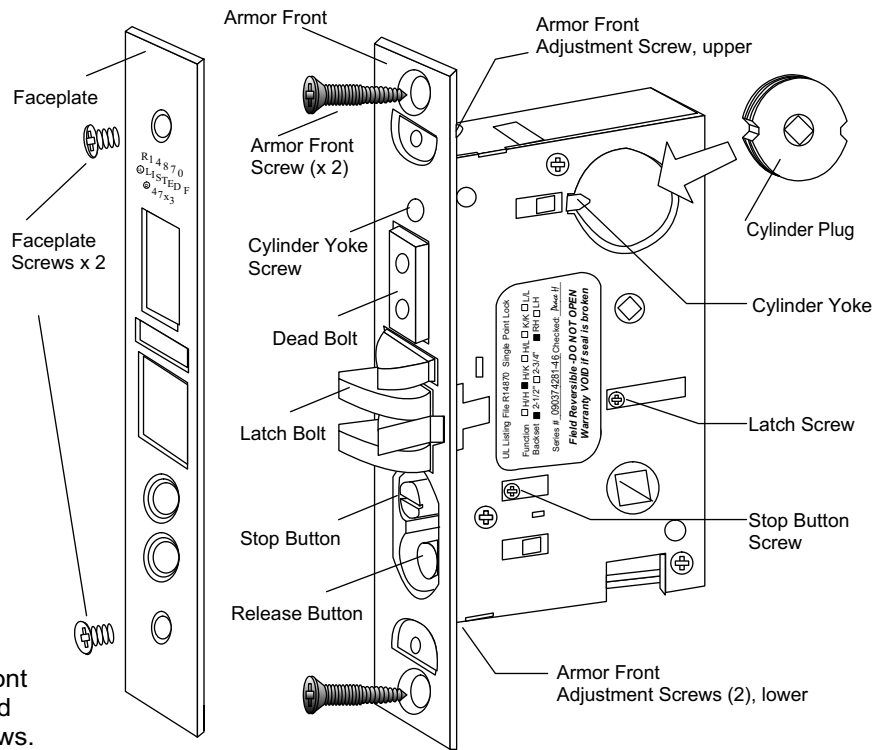
Install the Mortise Cylinder\*\*, if applicable. The Mortise Lock Case takes any standard Mortise Cylinder (1.15" -32NS-28 ) that is formed with a 'Y' type cam only. Proper length of the cylinder is required to ensure the smooth operation. Cylinder length can be determined by calculating 1/2 door thickness plus the projection height of the Trim or the Security Collar for the cylinder. If you use a single cylinder only, the Cylinder Plug must be installed on to the other side of the Cylinder Slot, prior to fastening the Cylinder Yoke Screw. You may use a spindle to screw the Cylinder Plug into the slot. Make sure one of the notches is lined up, to engage the Cylinder Yoke, as well as the cylinder.

### **Step 10 -**

Attach the Faceplate and fasten with the Faceplate Screws.

**Test the lock function before CLOSING DOOR.**

\*\*\* : Trim set and Cylinder are separate purchase items.



**Series D420 Solid Brass Low Profile  
Deadbolt Assemblage - Modern**

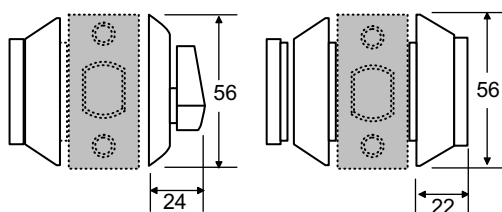
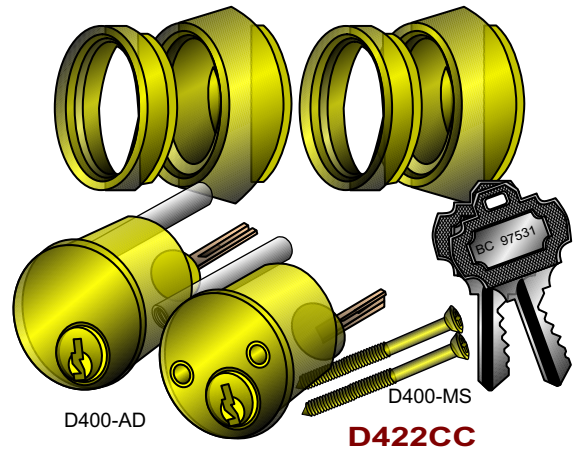
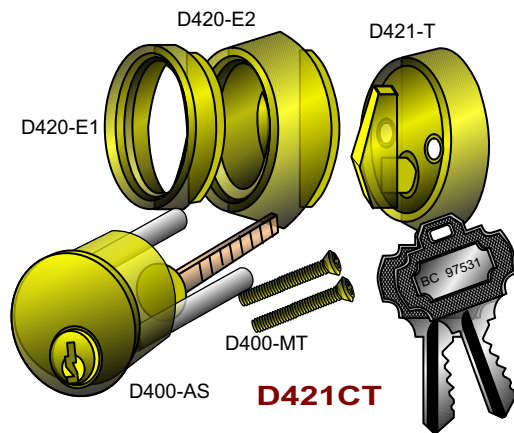
Baton's D420 Series Deadbolts provide quality, style and beauty, coupled with unmatched locking reliability. The 2 piece tandem machined brass security collars are designed for a wider range of application in door thickness. 'Schlage-C' keyway, supplied with 2 large bow brass keys per lock as standard. Available: Keyed Different (KD), Keyed Alike (KA) in groups, Master Keying (MK) and Construction Keying (CK).

Two styles are available from stock:  
Model D421 Single Cylinder Deadbolt features an easy way to operate interior thumb-turn and can be locked or unlocked from exterior with a key.

The model D422 Double Cylinder Deadbolt can be locked or unlocked from either side with a key.

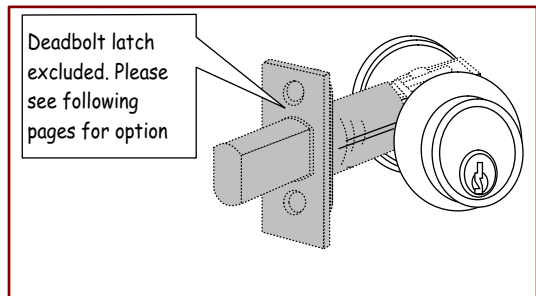
Ideal for 1-1/2" ~1-3/4" face bored mount.  
For 2-1/8" pre-bored door, please use the optional D400-C3 Adapter Ring as shown.  
Finishes: US10B, 15, 15A, 19, 26 & 3.

The Deadbolt assemblage excludes the Deadbolt Latch. Please see the following pages for optional models and Backsets available from stock.

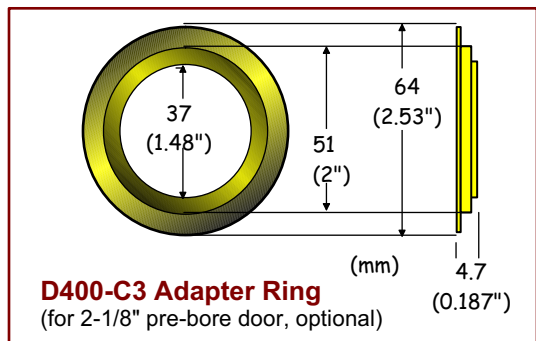


D421CT

D422CC



Stock No.	Description
D421CT-___	Deadbolt Cylinder/Trim assemblage, Modern, Single Cylinder
D422CC-___	Deadbolt Cylinder/Trim assemblage, Modern, Double Cylinder
D400-C3-___	Adapter Ring



(See page D03 for detailed spec of the trim rings)

## Series D460 Solid Brass Low Profile Deadbolt Assemblage -Classic

Baton's D460 Series Deadbolts have the same construction as D420 but come with classic style trim ring and interior Thumb Turn assembly. The 2-piece tandem forged brass security trim rings are designed for a wider range of application in door thickness. 'Schlage-C' keyway, supplied with 2 large bow brass keys per lock as standard. Available: Keyed Different (KD), Keyed Alike (KA) in groups, Master Keying (MK) and Construction Keying (CK).

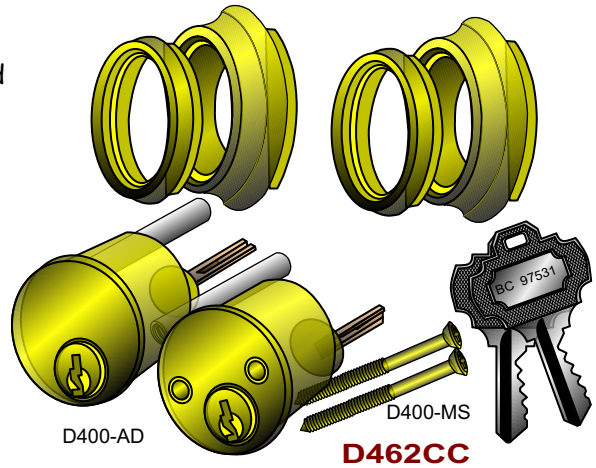
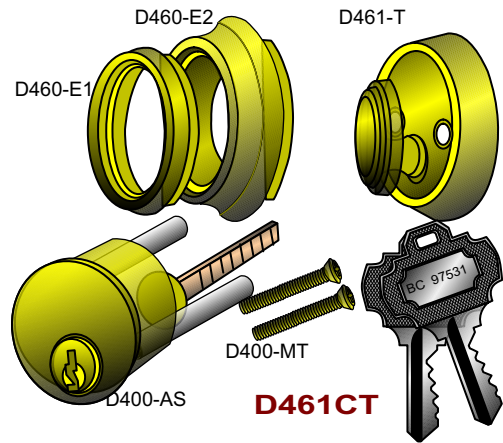
Two styles are available from stock:  
Model D461 Single Cylinder Deadbolt features an easy way to operate interior thumb-turn and can be locked or unlocked from exterior with a key.

The model D462 Double Cylinder Deadbolt can be locked or unlocked from either side with a key.

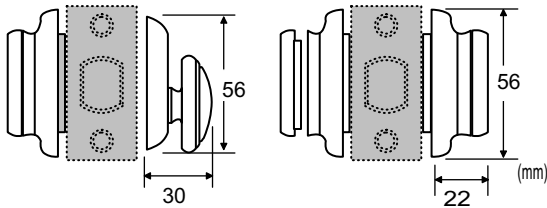
Ideal for 1-1/2" ~1-3/4" face bored mount. For 2-1/8" pre-bored door, please use the optional D400-C3 Adapter Ring as shown.

Finishes: US10B, 15, 15A, 19, 26, 3 & 5.

The Deadbolt assemblage package excludes the Deadbolt Latch. Please see the following pages for optional models and Backsets available from stock.

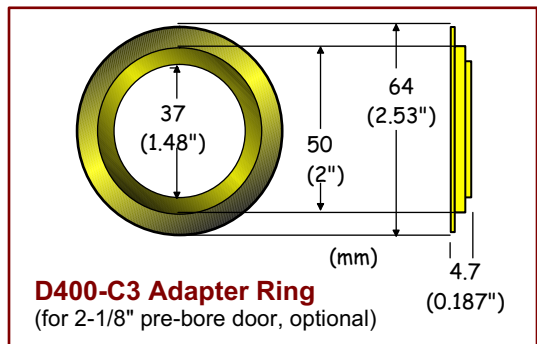
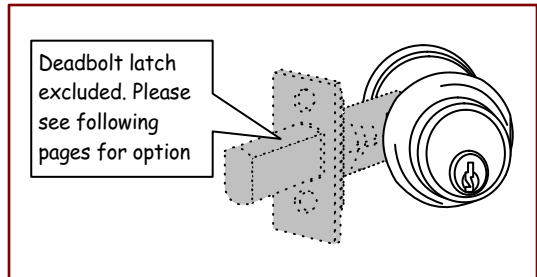


**D02**



**D461CT**

**D462CC**



Stock No.	Description
D461CT-___	Deadbolt Cylinder/Trim assemblage, Classic, Single Cylinder
D462CC-___	Deadbolt Cylinder/Trim assemblage, Classic, Double Cylinder

(See page D03 for detailed spec of the trim rings)

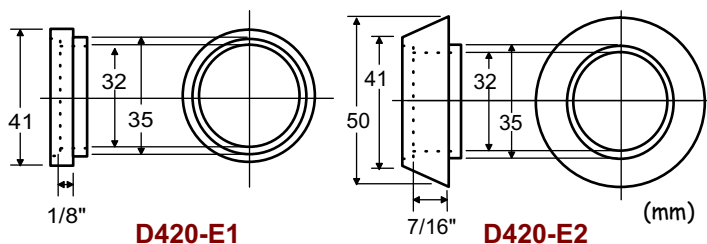
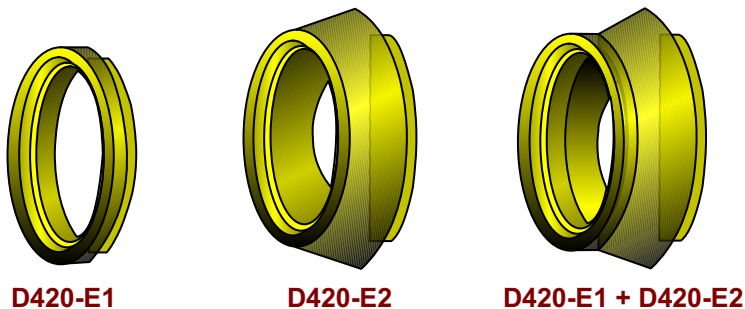
These beautiful quality small and main Trim Rings as used for the Series D420 and D460 Deadbolts can be purchased separately. Two styles are available.

Finishes: US10B, 15, 15A, 19, 26 & 3.

**Contemporary Trim Rings**

Stock No	Description.
D420-E1	Small trim ring 1/8"
D420-E2	Main trim ring 7/16"

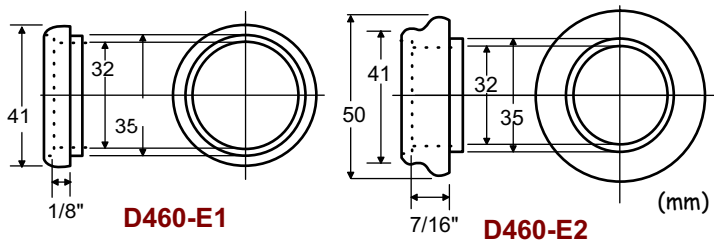
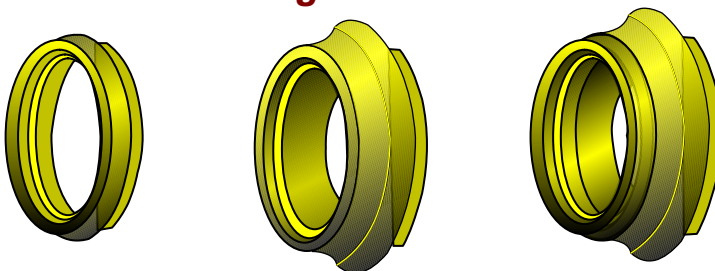
**Contemporary Trim Rings**



**Classic Trim Rings**

Stock No.	Description
D460-E1	Small trim ring 1/8"
D460-E2	Main trim ring 7/16"

**Classic Trim Rings**



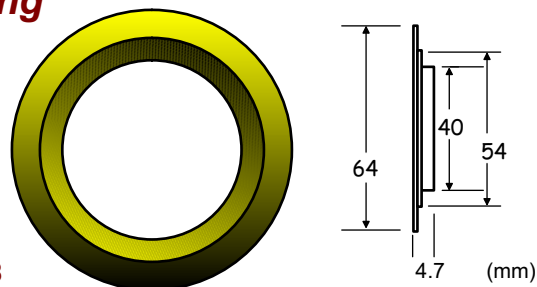
**Adapter Ring**

Model D400-C3 Adapter Rings are constantly stocked for your convenience. These rings are utilized for installing locks on a 2-1/8" door preparation.

Finishes:  
US10B, 15, 15A, 19, 26, 3 & 32D.

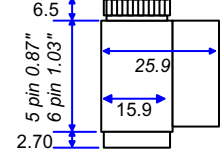
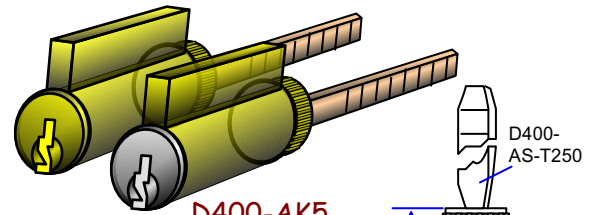
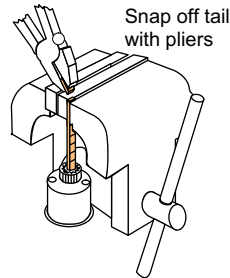
Stock No.	Size
D400-C3	dia 2.535" x4.7mm H

**Adapter Ring**

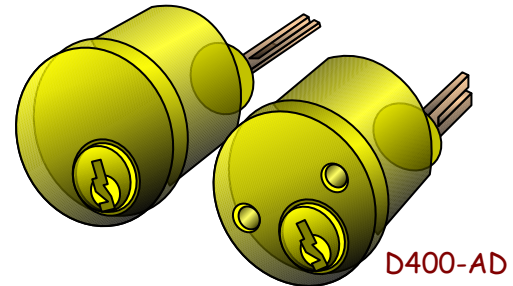




Baton's Knob & Deadbolt Cylinders are made of precision extruded brass. 'Schlage-C' keyway. Cylinders, including series 'AC' Mortise Cylinders and 'EC' Euro Profile Cylinders, can be keyed to the same system easily with Baton or most of the competitors' rekeying pin kit. Satin chrome (C) or satin brass (B) Barrels for your option. Specify when ordering. Furnished with 2 large bow keys as standard.



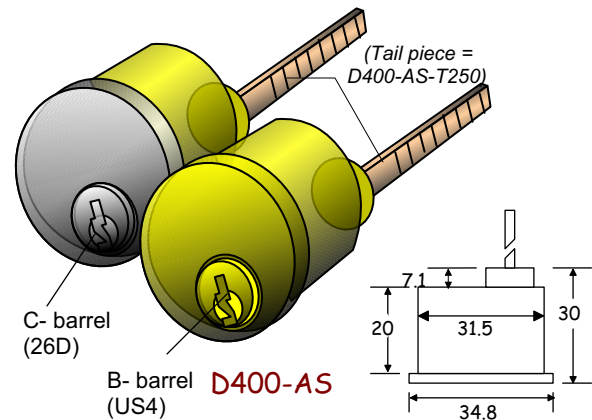
Stock No.	Description	Finish/Barrel
D400-AK5C	Key in Knob, 5 pin	Satin Chrome /C
D400-AK5B	"	Satin Brass /B
D400-AK6C	Key in Knob, 6 pin	Satin Chrome /C
D400-AK6B	"	Satin Brass /B



Deadbolt Cylinders are available for the followings:  
 D400-AS : US10B,14,15,15A,19,26,26D,28,3,3N  
 32, 32D, 4, 5, PVD & D3N, D32D  
 D400-AD : US10B, 15,15A,19,26,3,3N, 32D

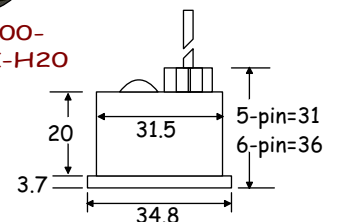
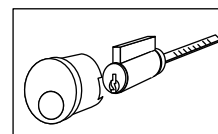
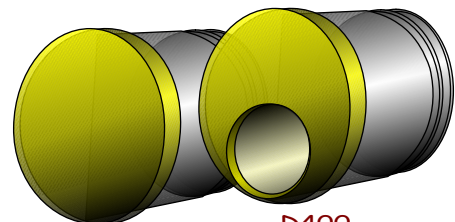
Stock No.	Description	Finish/Barrel
D400-ADB	Deadbolt cyl, 5 pin, double	Satin Brass /C
D400-ADC	"	Satin Chrome /B
D400-ASB	Deadbolt cyl, 5 pin, single	Satin Brass /B
D400-ASC	"	Satin Chrome /C

Remark: Bolting screw excluded. See following page for option



Model D400-AZ-H20 Deadbolt Cylinder Housing is formed to accept D400-AK5 5-pin or AK6 6-pin standard Key-in-knob cylinder and works as a Deadbolt Cylinder. The universal housing is made out of cast alloy with finished cap over the housing front.  
 Finishes: US10B, 15, 15A, 19, 26D, 3, 32, 32D & 4

Stock No.	Description	Finish
D400-AZ-D20	Dummy cylinder Housing	3, 32D
D400-AZ- H20	Deadbolt Cylinder Housing	10B,15,15A,19,26D,3,32D,4



Remark: Please refer to page A12 for the definition of finish symbols.

## Series 'D' Backup Plate & Accessories for Deadbolt Cylinders

Backup plate for Single Deadbolt Cylinder, brass  
The Deadbolt Bracket, steel construction, is designed for using on communication door mount.

Stock No.	Description
D400-AS-B281	Brass backup plate, dia59.2 x 1.5mm T.
D400-DZ-023	Deadbolt Bracket

Standard & Extended Tail Piece for Deadbolt Cylinder, Steel, with snapable segments in 1/4" increments. Packed 10 pcs per bag.

Stock No.	Description/Size ( L x W x T )
D400-AD-T075	Tail piece f/double 0.75" x 0.244" x 0.085"
D400-AD-T093	Tail piece f/double 0.93" x 0.244" x 0.085"
D400-AS-T170	Tail piece f/single, 1.70" x 0.228" x 0.078"
D400-AS-T227	Tail piece f/single, 2.27" x 0.232" x 0.078"
D400-AS-T232	Tail piece f/single 2.32" x 0.275" x 0.082"
D400-AS-T250	Tail piece f/single 2.5" x 0.25" x 0.082"
D400-AS-T400	Tail piece f/single 4" x 0.252" x 0.078"

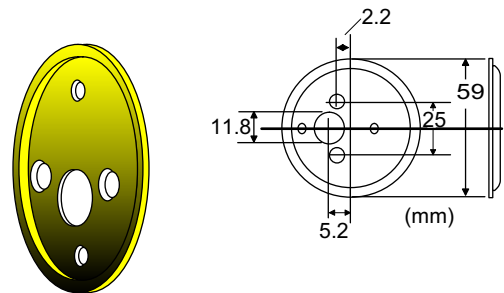
Bolting Screws are made of steel. 3 sizes are available. Packed 10 pcs (5 pairs) per bag.

Finishes: US10B, 14, 15A, 19, 3, 5 & S(raw steel)

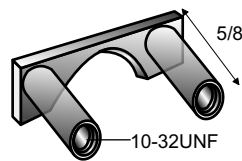
Stock No.	Description
D400-MS-	10-32UNF x 2-1/4" L
D400-MT-	10-32UNF x 1-1/4" L
D400-MX-	10-32UNF x 3-1/16"L w/3 ring cuts

Screw Posts are made of steel and are nickel plated. Models D400-ZB are tapped with 10-32unf threads at both ends, furnished with one each of the ball raised counter-sunk head screws, one each of the '+' and plain head. Ideal for through bolting of trim fastening. 2 sizes in finishes of US10B, 14, 15A, 3 & 5 are available. Models D400-ZC have 10-32unf threaded both for the male and female ends. Can be adapted on to Deadbolt cylinders (D400-AS/AD/AK-H20) for easy installation or work as extension for thicker door application. 4 sizes are in stock for your choice. Packed 10 per bag.

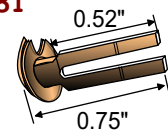
Stock No.	Description
D400-ZB 086	Screw Post set, 3/4"
D400-ZB 185	Screw Post set, 1-5/8"
D400-ZC 050	Screw Post/Extension Coupler, 1/2"
D400-ZC 087	Screw Post/Extension Coupler, 7/8"
D400-ZC 100	Screw Post/Extension Coupler, 1"
D400-ZC 125	Screw Post/Extension Coupler, 1-1/4"



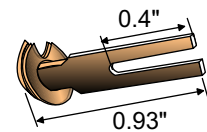
**D400-AS-B281**



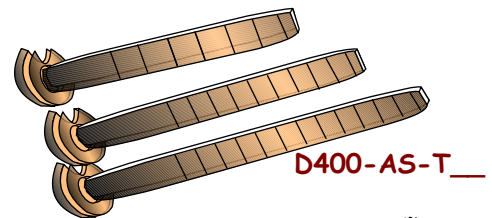
**D400-DZ-023**



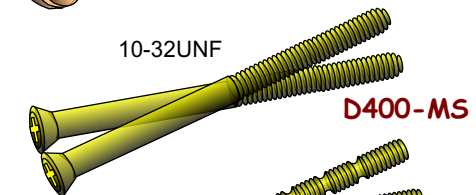
**D400-AD-T075**



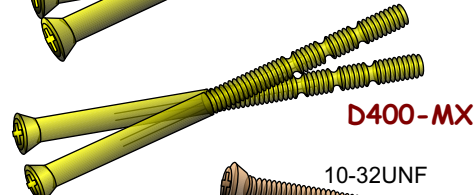
**D400-AD-T093**



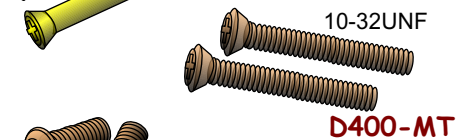
**D400-AS-T\_\_**



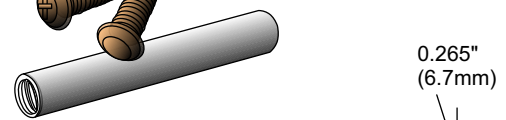
**D400-MS**



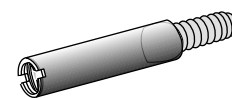
**D400-MX**



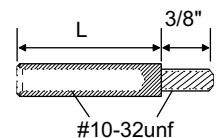
**D400-MT**



**D400-ZB**



**D400-ZC**



**#10-32unf**

## Series D400 Heavy Duty Latch Bolt & Accessories (1)

Baton's Series D4 heavy duty Deadbolt Latches are of all metal construction, featuring a full 1" throw latch bolt. The latch bolts are made of solid brass with hardened steel anti-saw roller, stainless steel with hardened steel anti-saw roller or hardened steel to meet your security needs at all levels. Five models in the standard Bolt finishes, (See following pages) are offered for combination with some 18 finishes for the Faceplate/Strike assemblages, providing the widest range of choice for your finish selection.

Furnished with Faceplate (D400-F1), Strike (D400-S1), Security Strike (D400-SA), Dust Box (D400-G2) and Mounting Screws are standard. Please see the following chart for the finish matching.

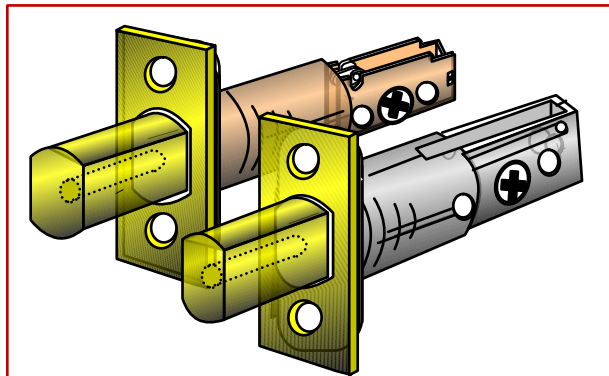
Faceplate/Strike Assemblage	
Assemblage A	US3, 4, 5, 9, 10B, 19, PVD
Assemblage B	US14, 15, 15A, 26, 26D, 32, 32D
Assemblage C	US10B, 3 ( with UL + F symbol )
Assemblage D	US15A, 32D ( with UL + F symbol )

1/4" radius corner Faceplate and strong Strike combo D400-SD "The Double" are optional. D400-SC has a smaller opening for the Deadbolt tongue and served with a 3mm thick heavy duty inner strike that can be bolted together onto the door frame for added security.

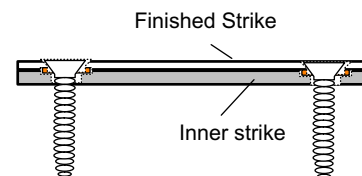
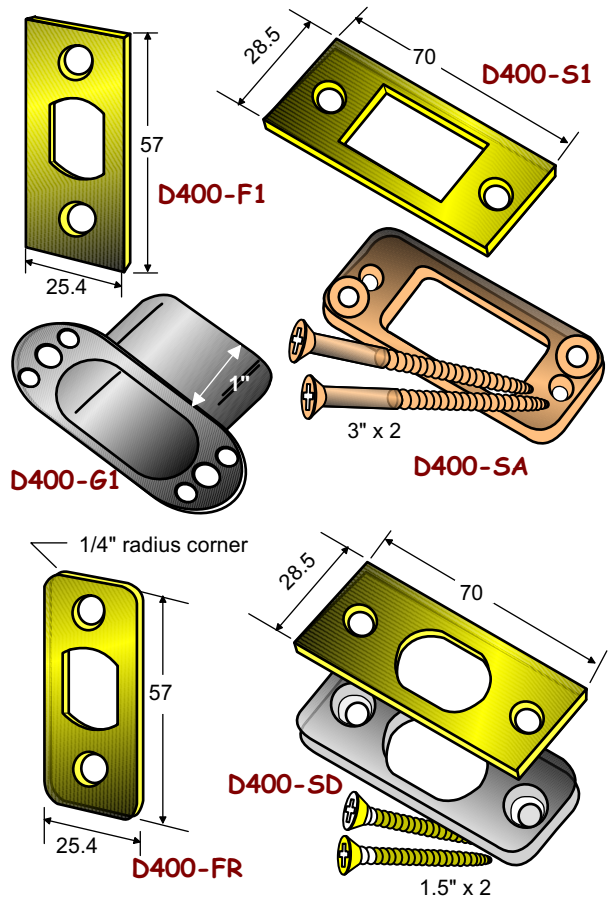
All accessories can be ordered as separate purchase items. Please see the following chart for the details and finishes available from stock.

Stock No.	Description	Finishes
D400-F1-	Faceplate, square corner	US10, 10B, 14, 15, 15A, 19, 26,
D400-S1-	Strike	26D, 3, 3A, 32, 32D, 4 & 5
D400-FR-	Faceplate, 1/4" radius corner	US10B, 15A, 3, 32D
D400-SA-	Security Strike	Zinc plated
D400-SD-	Strike, The Double	US10B, 14, 3, 32D
D400-G1-	Dust Box	Plastic / Black

Remark: Please refer to page A12 for the definition of finish symbols.



**D06**



## Series D400 Heavy Duty Latch Bolt & Accessories (2)

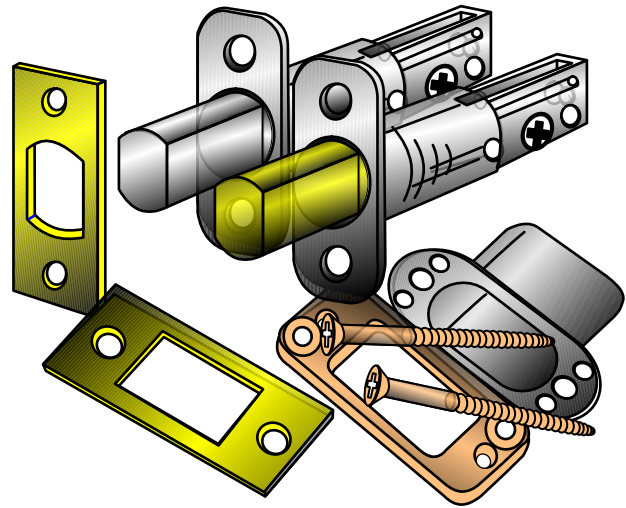
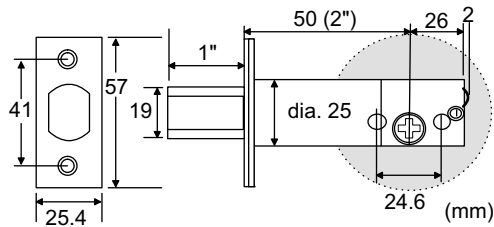
### Model D400-DA50

#### Heavy Duty Deadbolt Latch, 2"

Case : Die Cast Zinc Alloy, nickel plated

Bolt : Solid brass features anti-saw  
hardened steel roller/concealed,  
satin brass (B) or satin nickel (N)

Backset : 50mm (2")



Model No.	Backset	Case Material	Tongue Material	Tongue Finish	Anti-saw Roller	Faceplate / Strike*
D400-DA 50B	50mm (2")	Cast Alloy	Extruded Brass	Satin Brass (B)	Concealed	Assemblage A
D400-DA 50N	50mm (2")	Cast Alloy	Extruded Brass	Satin Nickel (N)	Concealed	Assemblage B

### Model D400-DB60/70

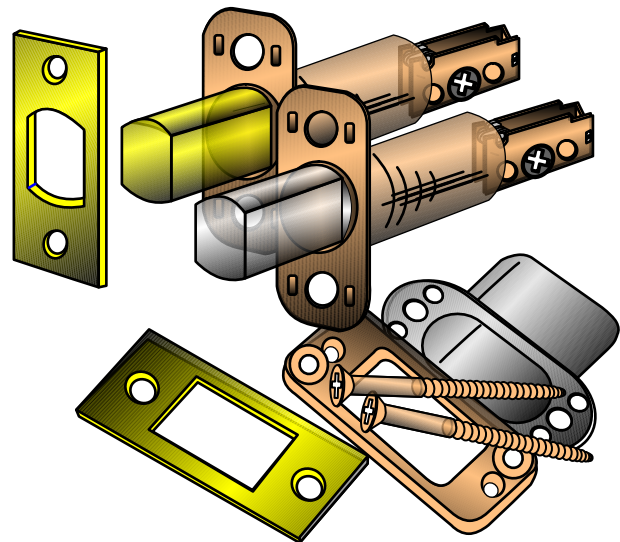
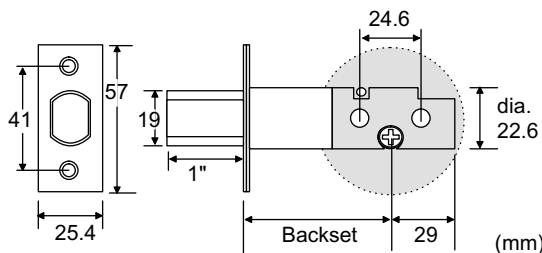
#### Deadbolt Latch, 60mm/70mm

Case : Steel, yellow zinc plated

Bolt : -Solid brass features anti-saw  
hardened steel roller/concealed,  
satin brass(B) or satin chrome(C).

-Stainless Steel features anti-saw  
hardened steel roller/concealed,

Backsets : 60mm (2-3/8"), 70mm (2-3/4")



Model No.	Backset	Case Material	Tongue Material	Tongue Finish	Anti-saw Roller	Faceplate / Strike*
D400-DB 60B	60mm(2-3/8")	Steel	Extruded Brass	Satin Brass (B)	Concealed	Assemblage A
D400-DB 60C	60mm(2-3/8")	Steel	Extruded Brass	Satin Chrome (C)	Concealed	Assemblage B
D400-DB 60S	60mm(2-3/8")	Steel	Stainless Steel	Stainless S. (S)	Concealed	Assemblage A
D400-DB 70B	70mm(2-3/4")	Steel	Extruded Brass	Satin Brass (B)	Concealed	Assemblage A
D400-DB 70C	70mm(2-3/4")	Steel	Extruded Brass	Satin Chrome (C)	Concealed	Assemblage B
D400-DB 70S	70mm(2-3/4")	Steel	Stainless Steel	Stainless S. (S)	Concealed	Assemblage A

\*\* - Faceplate/Strike assemblages - see page D06

**Series D400 Heavy Duty  
Latch Bolt & Accessories (3)**

**Model D400-DC67**

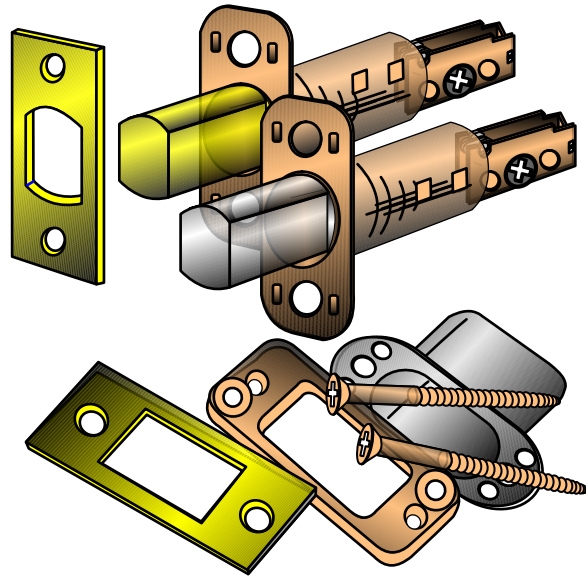
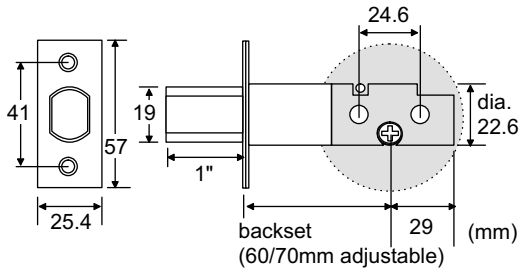
Deadbolt Latch, 60/70 adjustable

Case : Steel, yellow zinc plated

Bolt : Solid brass features anti-saw  
hardened steel roller/concealed,  
satin brass(B) or satin chrome(C)

Backsets : 60mm (2-3/8") & 70mm (2-3/4")

Adjustable



D08

Model No.	Backset / Adjustable	Case Material	Tongue Material	Tongue Finish	Anti-saw Roller	Faceplate / Strike*
D400-DC 67B	60/70mm	Steel	Extruded Brass	Satin Brass (B)	Concealed	Assemblage A
D400-DC 67C	(2-3/8" & 2-3/4")	Steel	Extruded Brass	Satin Chrome (C)	Concealed	Assemblage B

**Model D400-DF67**

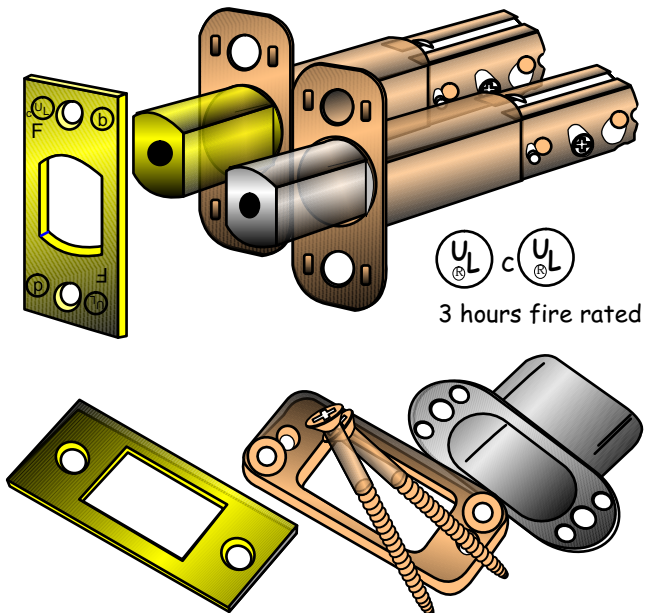
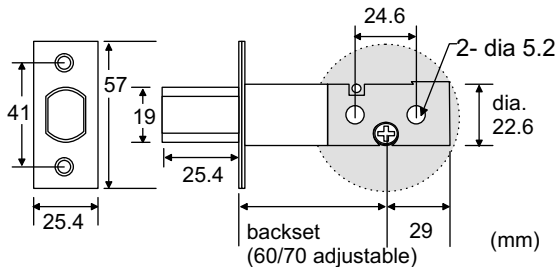
Deadbolt Latch, UL+ F3 hours, 60/70 adjustable

Case : Steel, yellow zinc plated

Bolt : Solid brass features anti-saw  
hardened steel roller, satin brass  
(B) or satin nickel (N)

Backsets : 60mm (2-3/8") & 70mm (2-3/4")

Adjustable



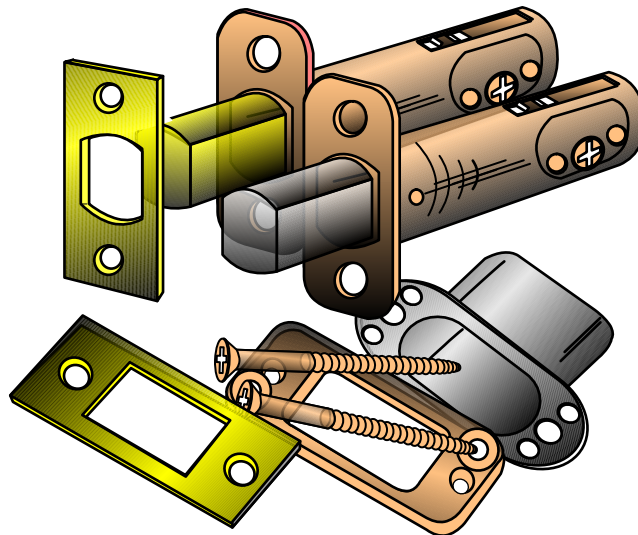
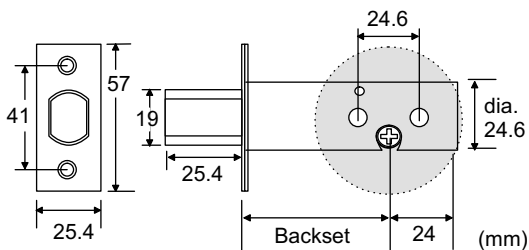
Model No.	Backset / Adjustable	Case Material	Tongue Material	Tongue Finish	Anti-saw Roller	Faceplate / Strike*
D400-DF 67B	60/70mm	Steel	Extruded Brass	Satin Brass (B)	Yes	Assemblage C
D400-DF 67N	(2-3/8" & 2-3/4")	Steel	Extruded Brass	Satin nickel(N)	Yes	Assemblage D

\*\* - Faceplate/Strike assemblages - see page D06

**Series D400 Heavy Duty  
Latch Bolt & Accessories (4)**

Model D400-DH60/70  
Deadbolt Latch,

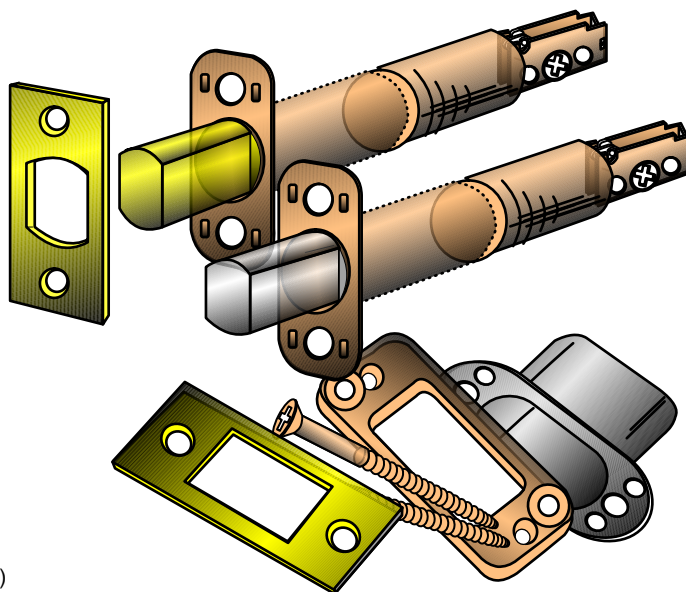
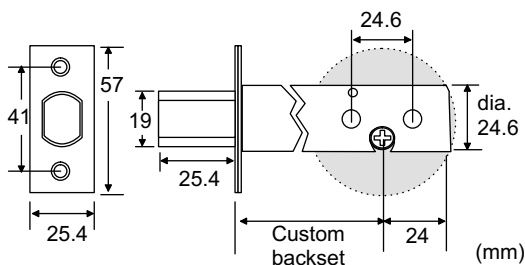
Housing : Steel, yellow zinc plated  
Latch tongue : Solid Hardened steel, satin  
brass(B) or satin nickel(N)  
Backsets : 60mm (2-3/8"), 70mm (2-3/4")



Model No.	Backset	Case Material	Tongue Material	Tongue Finish	Anti-saw Roller	Faceplate / Strike*
D400-DH 60B	60mm(2-3/8")	Steel	Hardened Steel	Satin Brass (B)	No	Assemblage A
D400-DH 60N	60mm(2-3/8")	Steel	Hardened Steel	Satin Nickel (N)	No	Assemblage B
D400-DH 70B	70mm(2-3/4")	Steel	Hardened Steel	Satin Brass (B)	No	Assemblage A
D400-DH 70N	70mm(2-3/4")	Steel	Hardened Steel	Satin Nickel (N)	No	Assemblage B

Model D400-DX 00

Custom made Extended Deadbolt Latch -  
Extended backset deadbolt Latch in  
various lengths can be ordered as  
custom made item. The Latch tongue  
can be ordered in satin brass or satin  
chrome; takes standard Faceplate and  
strike. Please call Baton's CSR for details.



Model No.	Backset	Case Material	Tongue Material	Tongue Finish	Anti-saw Roller	Faceplate / Strike*
D400-DX 00B	Custom	Steel	Extruded Brass	Satin Brass (B)	Concealed	Assemblage A
D400-DX 00C	Custom	Steel	Extruded Brass	Satin Chrome (C)	Concealed	Assemblage B

\* - Faceplate/Strike assemblages - see page D06

**Series 'D500' Narrow backset  
Interior Mortise Lock Case**

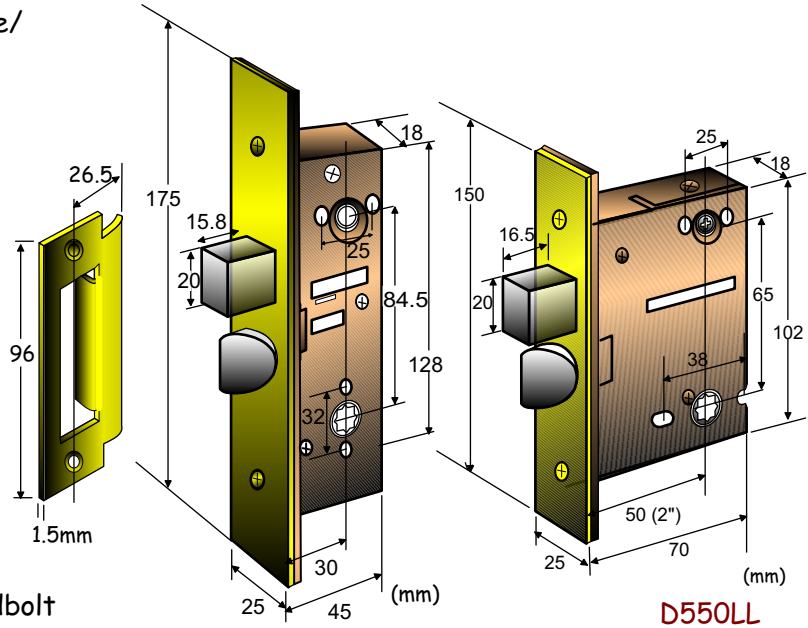
Baton models D530 & D550 Entrance/ Privacy narrow style lever strength Mortise Latch is constructed with quality metal working parts for smooth and durable operation.

Deadbolt is operated by Thumb Turn from inside, by key from outside. The non-handed spring latch is operated by Lever from either side. The Deadbolt and latch are supplied with chrome finish (D) only.

Both models require very little lever action to retract the bolt. The deadbolt is featured with a universal hub, and can be operated by a Turn piece as a privacy lock, or accommodated with a Single or Double Deadbolt cylinder (Baton D400-AS, D400-AD) as a storeroom lock.

Supplied with a Faceplate, Strike, Dust Box and Screws.

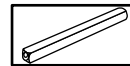
Hub size: 8.0mm on Square/  
7.3mm on Diamond  
Finishes : US10B, 3 and 32D



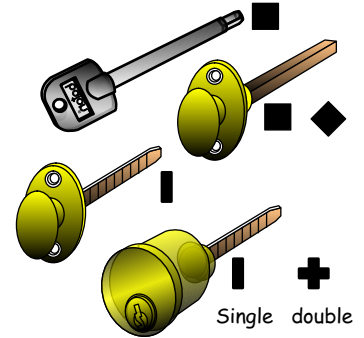
D530LL

D550LL

D10



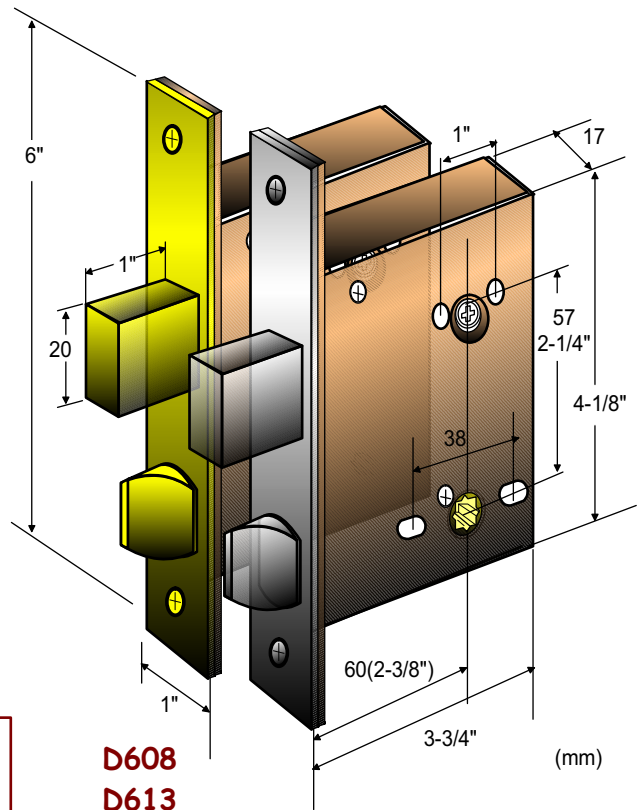
Models D530/550 feature a universal hub, work with any deadbolt cylinder, or a thumb turn that is constructed with a flat tail, or a 5 mm spindle



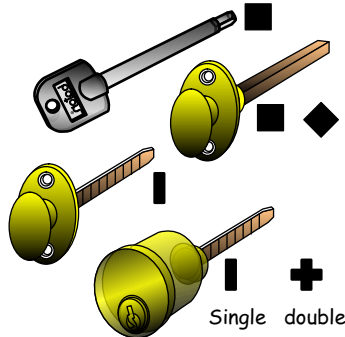
Model No.	Backset	Function	Retracting	Depiction
D530LL D	1-3/16" (30mm)	<b>Entrance (without egress)</b> Latch by Lever from either side. Deadbolt by key outside, by Turn Piece (single cylinder) or key (double cylinder) inside.	17 degree downward	LL
D550LL D	2" (50mm)	<b>Entrance (without egress)</b> Latch by Lever from either side. Deadbolt by key outside, by Turn Piece (single cylinder) or key (double cylinder) inside.	30 degree downward	LL

Baton series D600 Interior Entrance/Privacy Mortise Lock Case is constructed with quality metal working parts for smooth and durable operation. The extruded solid brass Deadbolt is featured with a universal hub, can be operated by a Turn piece that is formed with a 5mm Spindle or a flat tail as a privacy lock; or accommodated with a Single or Double Deadbolt cylinder (Baton D400-AS/AD, D400-AK) as a storeroom lock. The forged brass Latch is non-handed and can be operated by Knob from either side. Model D613 features with an egress feature - operate the inside Knob retracts Deadbolt and Latch simultaneously. Latch/Deadbolt can be ordered in satin brass (B) or satin nickel (N).

Supplied with a Faceplate, Strike (AZ-SIC), Dust Box and mounting Screws.



Models D608/613 feature a universal hub, work with any deadbolt cylinder, or a thumb turn that is constructed with a flat tail, or a 5 mm spindle



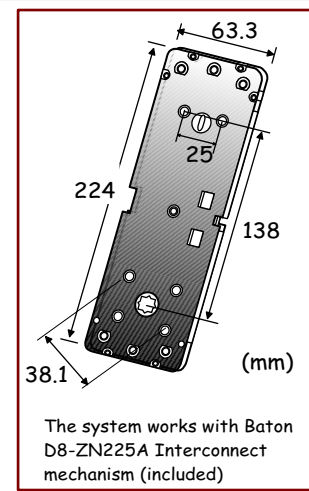
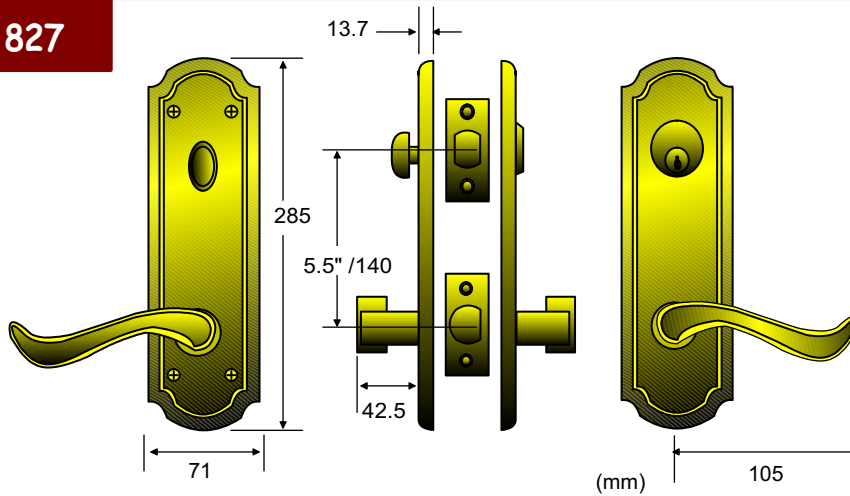
The deadbolt is Supplied with a Faceplate, Strike, Dust Box and Mounting Screws.  
Hub size: 8.0mm on Square / 7.3mm on Diamond  
Finish in stock : US10B, 3 and 32D

Model No.	Backset	Function	Depiction
D608	2-3/ 8" (60mm)	<b>Entrance (without egress)</b> Latch by Knob from either side. Deadbolt by key outside, by Turn Piece (single cylinder) or key (double cylinder) inside.	KK LL
D613	2-3/ 8" (60mm)	<b>Entrance (with egress)</b> Latch by Knob from either side. Deadbolt by key outside, by Turn Piece inside. Inside Knob retracts latch and deadbolt simultaneously.	KK LL



## Model D827 Entrance Lock Set & Interconnect Mechanisms

**D 827**



**D12**

Baton's Model D 827 Interconnect Entrance Lock combines elegance, beauty and security with the strength of a deadbolt function. The Trim and Lever are made of forged brass, and features our quality deadbolt (series D4) with all brass cylinder (D400-AS), machined brass security collar, brass strike and the patented Tubular Latch (series LT-783/786) to add even more security and durability. Both the latch and deadbolt are retracted simultaneously. One quick twist of the lever inside unlocks both the latch and deadbolt. Thus panic-proofing a residence without compromising security, at the same time, adding a touch of class. The 5-7/16" Lever to deadbolt (center to center) design fits most of the pre-bored doors on the market. The non-handed design of the lever allows it to be installed either way. Available to order with 2-3/8" (60mm) or 2-3/4" (70mm) backsets. Please specify when ordering. Furnished with Dust boxes and mounting Screws. Finishes: US10B, 15A, 26, 26D & 3

Stock No.	Description
D827-283/286	Entrance lock set, 2-3/8" or 2-3/4" backset

The Interconnect Mechanisms can also be purchased separately.

3 models are available:

D8-ZN200A -

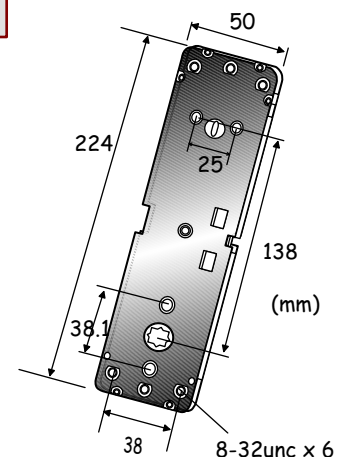
works with Baton series LT583/586/883/886 Tubular Latch, that a 28 degrees twist of the Lever inside unlocks the latch and deadbolt

D8-ZN200B -

works with Baton series LT680/683/686 Tubular Latch, that a 52.5 degrees twist of the lever inside unlocks the latch and deadbolt

D8-ZN225 -

works with Baton LT783/786 LS Tubular Latch, that a 28 degrees twist of the lever inside unlocks the latch and deadbolt.



**D8-ZN200**

Stock No.	Retraction	Latch recommended	Trim styles
D8-ZN200A	28 degree	LT583/586/590/883/886	KK, LL, HK*, HL*
D8-ZN200B	52.5 degree	LT683/686/880	KK, LL, HK*, HL*
D8-ZN225A	28 degree	LT783/786 LS	LL

Remark: \*' HK/HL - Baton Transfer Unit (LT-RT281A/281B) is to apply

**Series 'E600, E700, E900' Euro  
Mortise Lock Case (85mm C~C)**

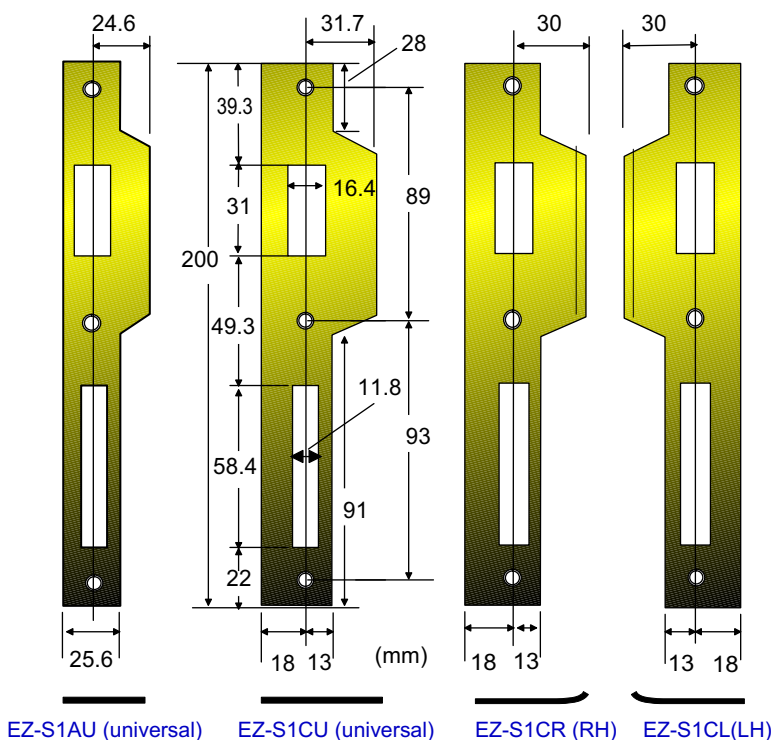
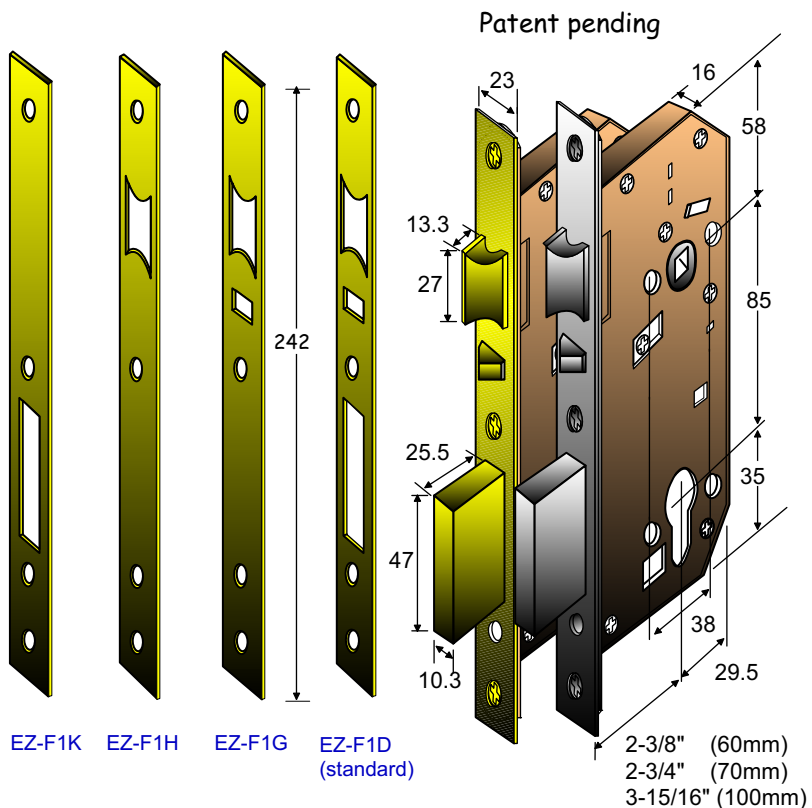
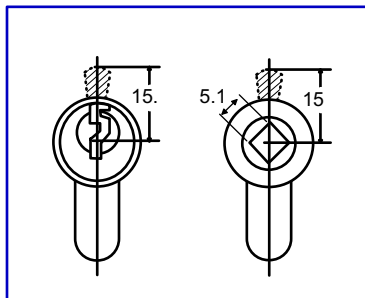
Baton series 'E' European Style Mortise Door Lock Case is designed for accommodating a Lever/Lever style trim. The mortise case takes any standard Euro Profile Cylinders.

**E01**

The 7" high mortise case is constructed with a 1" throw extruded brass deadbolt, a non-handed field reversible spring latch, and an auxiliary latch to add extra security. All exposed Bolts are made of stainless steel (S).

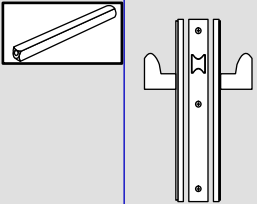
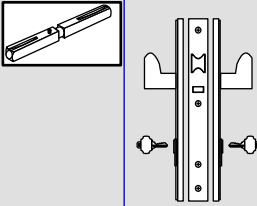
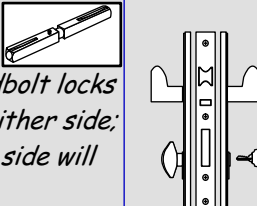
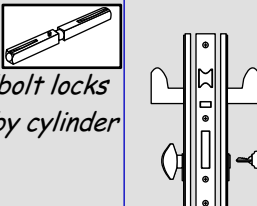
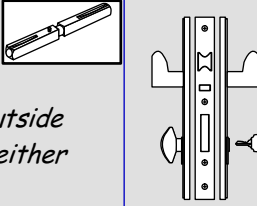
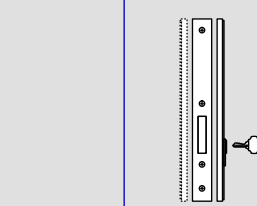
Mounting hardware and a 1" wide non-handed strike (EZ-S1A) are furnished as standard. The 1-1/4" extended strike (EZ-S1C\_, specify universal, right hand or left hand), for thicker door is optional.

Finishes : US10B,15A,3 &32D.  
Hub size: 8mm on square.  
Backset : 2-3/8" (60mm)  
          2-3/4" (70mm)  
          3-15/16" (100mm)



## Series 'E' Euro Style Mortise Lock Case Function Chart

E02

Model No	Backset	Trim Style To Fit	Function	Depiction
E601-60 E701-70 E901-100	2-3/8" 2-3/4" 3-15/16"	Lever to Lever [L/L]	<b>PASSAGE</b> <i>Latch by lever from either side.</i>	
E605-60 E705-70 E905-100	2-3/8" 2-3/4" 3-15/16"	Lever to Lever [L/L]	<b>CLASSROOM</b> <i>Latch by lever either side except when outside lever is locked by key; then by cylinder from either side. The inside lever always free. Auxiliary latch deadlocks latch.</i>	
E608-60 E708-70 E908-100	2-3/8" 2-3/4" 3-15/16"	Lever to Lever [L/L]	<b>ENTRANCE/PRIVACY (without egress)</b> <i>Latch by lever either side except when projected deadbolt locks lever and deadlocks latch. Deadbolt by cylinder from either side; continuing to turn the cylinder or by lever from either side will retract the latch. Auxiliary latch deadlocks latch.</i>	
E613-60 E713-70 E913-100	2-3/8" 2-3/4" 3-15/16"	Lever to Lever [L/L]	<b>ENTRANCE/PRIVACY (with egress)</b> <i>Latch by lever either side except when projected deadbolt locks outside lever and deadlocks latch. Deadbolt and latch by cylinder outside. The inside lever retracts deadbolt and latch simultaneously, automatically unlocking outside lever. Auxiliary latch deadlocks latch.</i>	
E615-60 E715-70 E915-100	2-3/8" 2-3/4" 3-15/16"	Lever to Lever [L/L]	<b>VESTIBULE/HOTEL/PUBLIC TOILET (without egress)</b> <i>Latch by lever from inside and by key from outside. Outside lever is always inoperative. Deadbolt by cylinder from either side. Auxiliary latch deadlocks latch.</i>	
E617-60 E717-70 E917-100	2-3/8" 2-3/4" 3-15/16"		<b>DEADLOCK</b> <i>Deadbolt by key or turn piece outside, or both sides.</i>	

*Remark: 1) Function described above can vary depending on the type of cylinder used. For matched Euro Profile Cylinders, please refer to page E15, E16 - Series 'EC' Euro Profile Cylinders.  
2) Please see Page E14 for lock case ordering guide for ordering; and Pages T01 and T02 Trim Sets Ordering Guide for the optional 'TE' trim sets.*

**Euro Store Front Lock**

Model E223 15/16" backset Store Front Hook Bolt has all metal construction. The heavy gauge laminated steel hook bolt features a concealed anti-saw hardened steel rollers to add resistance against sawing or cutting through the bolt. The hook bolt is operated by a profile cylinder only. Furnished with faceplate and mounting screws. The EZ-SZ1 Brass Strike for wooden door is optional. Finishes : US10B, 19, & 3

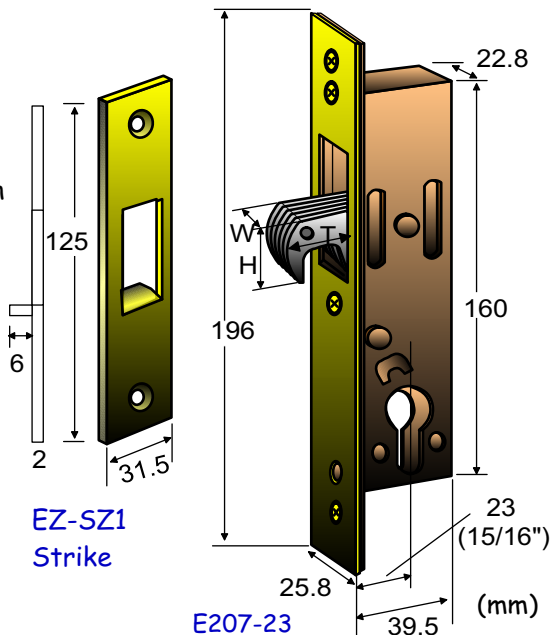
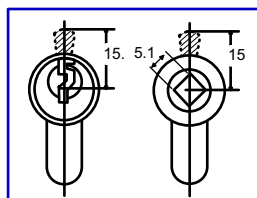
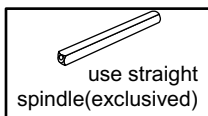
E03

**Euro Mortise Lock Cases/Narrow**

These narrow backset Euro Style Mortise Lock cases are designed for accommodating a Lever/Lever style trim. The 5/8" thick lock case constructed with a 29/32" wide Armor Front, fits for a wider range of applications in door thickness.

Handing is field reversible without opening the lock case. Simply sliding up the blocking trigger located at the upper part of the lock case close to the spring latch, allows depressing the brass latch into the lock case fully; rotate the latch by 180 degree and release. It's done.

The lock cases take any standard Euro Profile Cylinders. A non-handed Strike and mounting screws are furnished as standard.  
Hub size: 1", 1-3/8" : 8mm on Square  
Others : 8mm on Square + 7.3mm on Diamond  
Backsets: 1" , 1-9/16" & 2"  
Finishes :  
E308-35 : US32D only.  
Other sizes: US10B, 19, 3, 32 & 32D

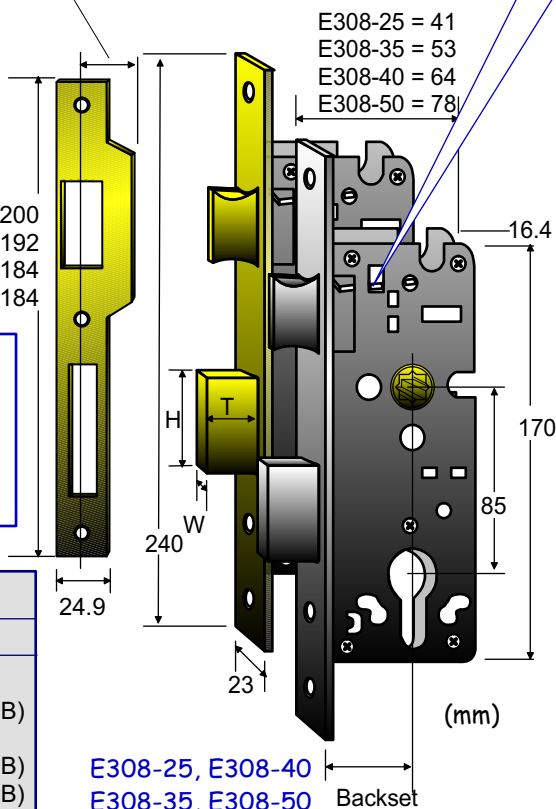


EZ-SZ1  
Strike

E207-23

- E308-25=16
- E308-35=27
- E308-40=22
- E308-50=22

Handing - field reversible: Swing up the Blocking Trigger to press down the Bolt; rotate Bolt 180 degree and snap back to its working position in slot.



Stock No.	Backset	Deadbolt Spec(mm) /Throw / Finish				
		H	W	T	Throw	Finish
E207XXNZ-23	15/16" (23mm)	34	9	22	single	Zinc plated
E308LL8_25	1" (25mm)	34	9	15	single	US26(D),3(B)
E308LL8N35	1-3/8" (35mm)	34	9	15	single	US15(N)
E308LL8_40	1-9/16" (40mm)	43.5	9	20	double	US26(D),3(B)
E308LL8_50	2" (50mm)	43.5	9	20	double	US26(D),3(B)

Remark: Please see Page E14 for ordering guide

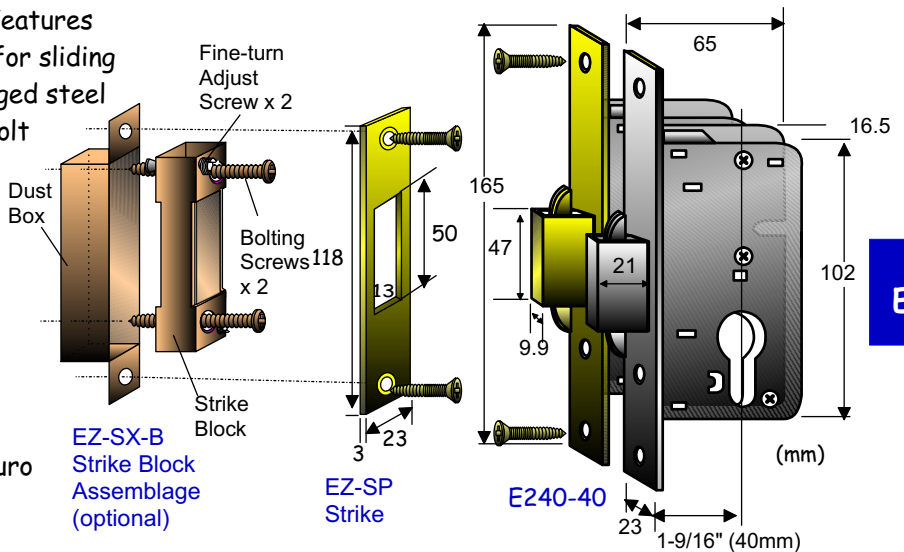
**Model E240-40 Euro Hook Bolt Lock Case**  
**Model E240-40PT Pocket Door Lock Set**

Series E240 Euro Dead Lock Case Features a hook type deadbolt, is ideal both for sliding and swing doors. The two heavy gauged steel hooks constructed, when the deadbolt is fully extended by the cylinder, engage the strike plate installed at the frame of the door, prevent the door being swinging or sliding open. Two deadbolt finishes, satin nickel (N) or bright brass (B), are stocked constantly for your option.

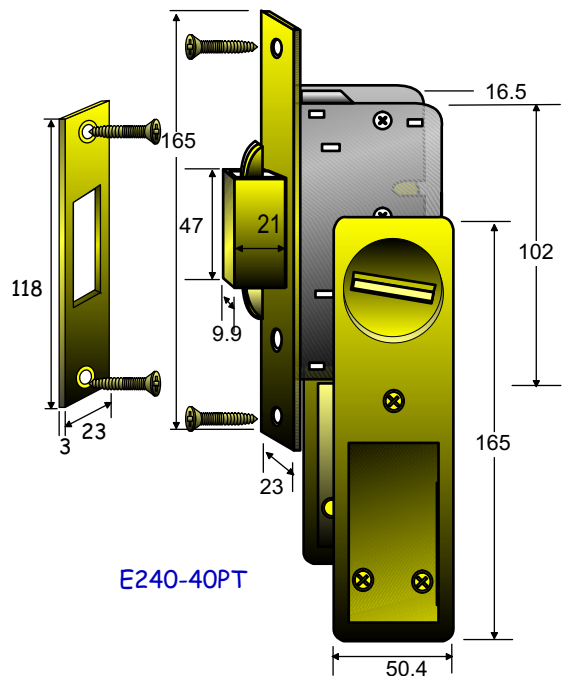
The lock cases take any standard Euro Profile Cylinders as shown on the following page to facilitate various applications. The lock can also be ordered with a Cylinder Converter EC-6C for operating with a Knob or Deadbolt cylinder, or Baton 'TX' Thumb Turns. Furnished with Strike(EZ-SP) and mounting screws. Finishes: 10B, 19, 3, 32D

The specially designed adjustable Strike Assemblage (EZ-SP) can be purchased separately. Furnished with a metal dust box, Strike block and one pair of the 3" long bolting screws. The Strike Block is featured with depth-adjustable screws x 2, allowing for fine tune adjustment for a proper hold for the lock and door prior to the fastening of the finished Strike.

Model E240-40PT Privacy Pocket Door Lock Set is an assemblage of one E240-40 Hookbolt Lock Case, one Cylinder Converter EC6C-5D, one Cylinder Detainer EC6C-D90 and one each of the TA10-P, TA10-T trims. Elegant and easy for installation. Finish: 10B, 15, 19, 3

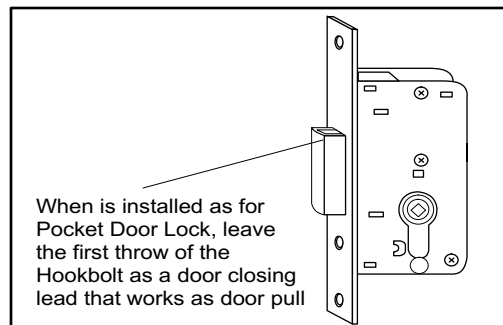


**E04**



Stock No.	Description	Hookbolt finish/throw(s)
E240-40	Dead lock 1-9/16"(40mm)	US15(N), 3(B) 2 throws
E240-40PT	Pocket Door Lock set 1-9/16" (40mm)	US15(N), 3(B) 1 throw
EZ-SX-B	Strike Block Assemblage	

Remark: Please see page E14 for ordering guide

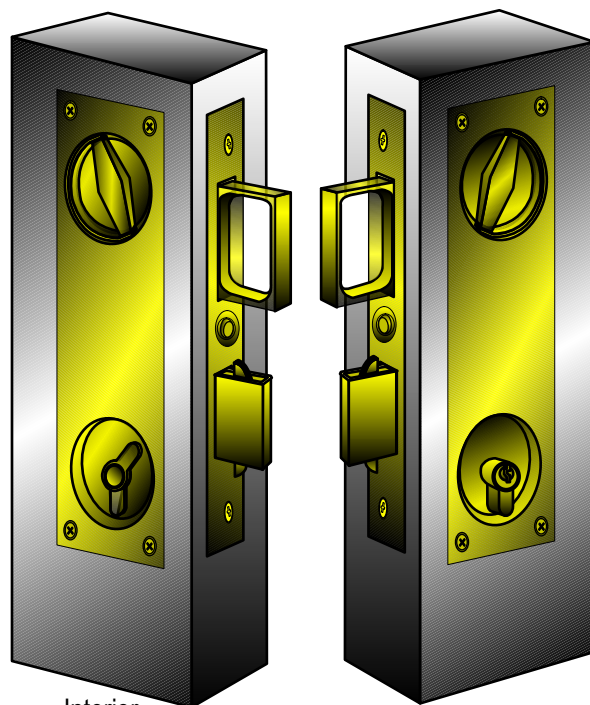


Model E260-55 Pocket lock set consists of:

- a) one Lock case
- b) one Strike block unit
- c) a pair of Flush mount Trim and
- d) one Profile cylinder.

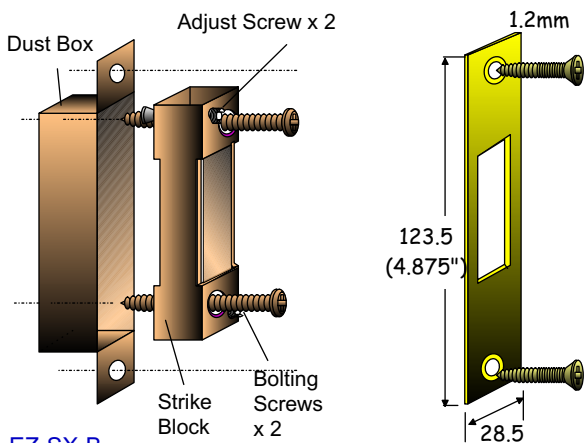
The 2-3/16" (55mm) backset heavy duty pocket lock case is made of wrought steel; constructed with a 3/4", single throw hook type deadbolt. Depress the center button on lock front, the spring loaded door pull pops out for pulling the door from the door pocket easily. Both the door pull and hookbolt are made of stainless steel. The exposed parts are available in 'S' = Satin stainless steel or 'V' = PVD/gold in matching with the trim selected.

The Strike Block unit furnished includes one finished Strike, one Strike block assemblage, one Metal dust box and mounting screws. The Strike Block is constructed with a pair of depth adjustable screws, allowing for fine tune adjustment for a proper hold for the lock and door prior to the fastening of the finished Strike.

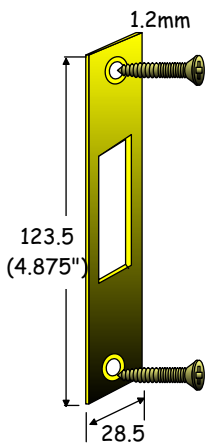


Interior The Trim Set (Entrance) Exterior

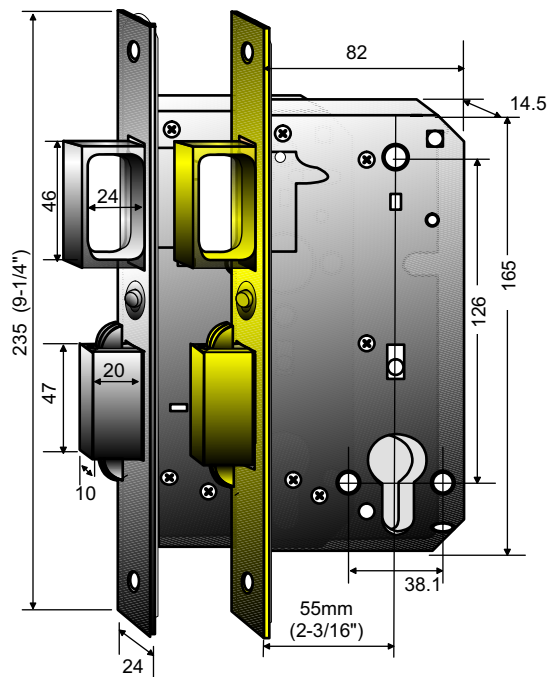
E05



**EZ-SX-B**  
Strike Block Assemblage



**EZ-SP** Strike



**E260-55** Euro Mortise Pocket Lock Case

# Model 'E260-55' Pocket Door Lock Set -2 Trim, Cylinder/Turn

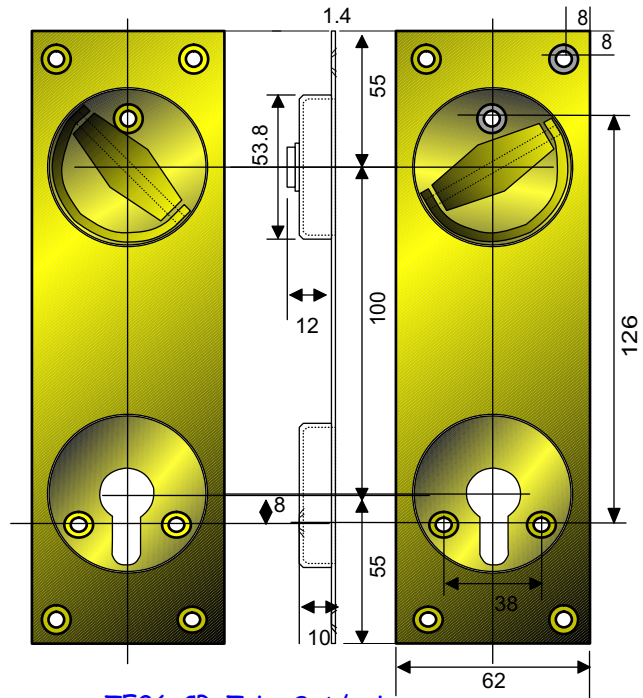
E06

The pocket lock trim set is made of stainless steel or brass. The added swivel door puller on upper part provides extra convenience for the door opening and closing from the side. Simply drill 2-1/8" face bore holes x 2 on each side of the door for flush mount, allows to be bolted on lock case and wood door as well for long lasting, trouble free operations. Universal design, fits for Entrance, Privacy and Passage.

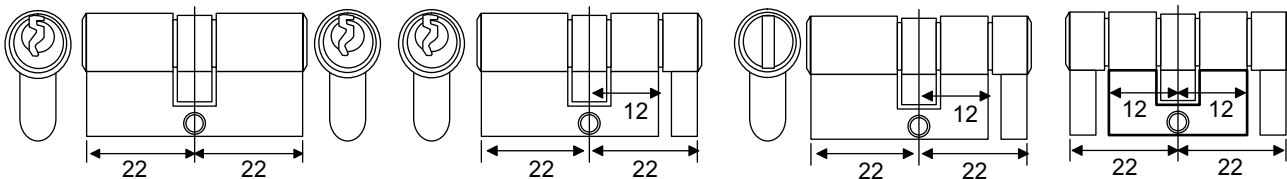
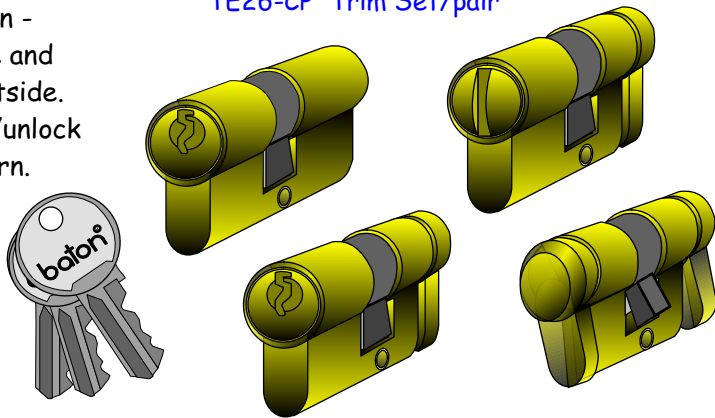
Five styles of cylinders are provided to accommodate your applications:

- EC74KK2222 Key + Key cylinder - for lock/unlock from either side.
- EC74KT2212 Key + T Turn - for lock/unlock by key outside, by T Turn inside.
- EC74DT2212 Dummy + T Turn - for lock/unlock from inside only.
- EC74PT2212 Emergency release + T Turn - for lock/unlock from inside and Emergency access from outside.
- EC74TT1212 T Turn + T Turn - for lock/unlock from either side with T Turn.

The lock set is ideal for 1-3/4" thick door. For thicker or thinner doors, please consult with Baton CSR.



TE26-CP Trim Set/pair



EC74KK2222 Key+Key

EC74KT2212 Key+Turn

EC74DP2212 Dummy+Turn

EC74TT1212 Turn+Turn

EC74PT2212 Privacy+Turn

Stock No.	Description	Application (outside / inside)	Finish
E260 CC 55	Pocket lock set, Entrance KK	Key / Key	10B, 3, 15
E260 CT 55	Pocket lock set, Entrance KT	Key / T Turn	10B, 3, 15
E260 DT 55	Pocket lock set, Privacy DT	Dummy / T Turn	10B, 3, 15
E260 PT 55	Pocket lock set, Privacy ET	Emergency release / T Turn	10B, 3, 15
E260 TT 55	Pocket lock set, Passage TT	T Turn / T Turn	10B, 3, 15

**Series 'F400' Euro Mortise Lock Case  
DIN Standard (72mm C~C)**

**E07**

Baton series F400 Euro Mortise Lock Case is made of heavy gauge galvanized steel case constructed with precision and durable working parts; ensures long lasting and trouble free performances.

Latch - Investment casting stainless steel construction. Featured with noise reduction rubber inserts.

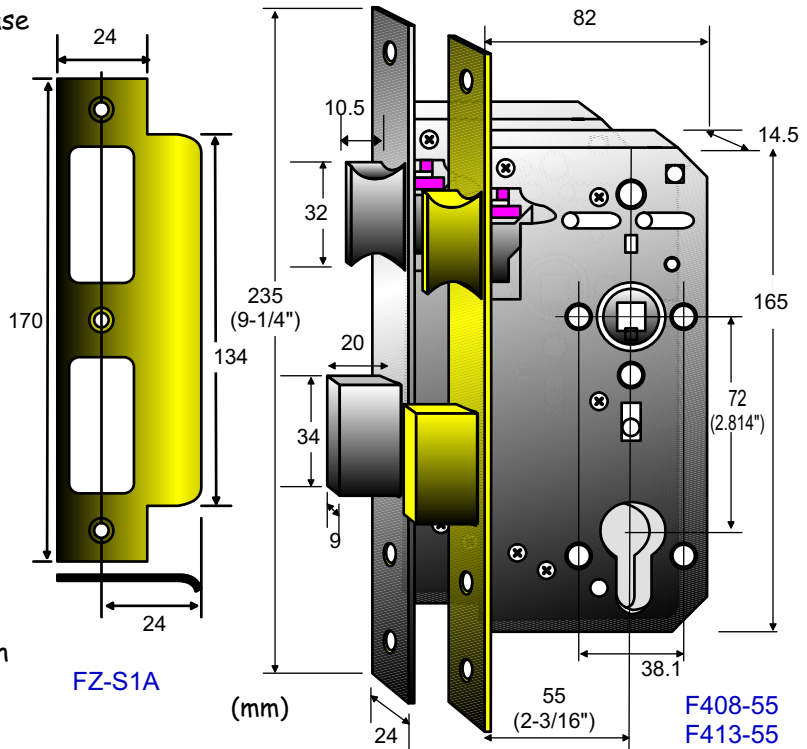
Non-handed (field reversible).

Deadbolt - Investment casting stainless steel one piece construction.

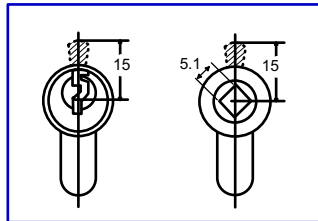
Front plate - Stainless steel.

Hub - Investment casting stainless steel, 8mm on square

Two finishes, US32D and PVD18K gold, are available to order from stock. Finish is applied to all the exposed parts (Lock front, Latch bolt, Deadbolt and Strike)

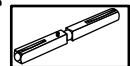


Furnished with:  
Strike (FZ-S1A),  
Dust boxes(F4-G3)  
and Mounting screws.



According to EN 12209:2003, the locks are classified as: **2C400B3HA10**

The lock fulfills the safety relevant characteristics of Class 3 as per DIN 18251 and EN 179.



Model No.	Backset	Function	Depiction
F408LL8_55	2-3/16" (55mm)	<b>Entrance (without egress)</b> Latch by Lever from either side. Deadbolt by key either side. Continue to turn the key operates the Latch.	
F413LL8_55	2-3/16" (55mm)	<b>Entrance (with egress)</b> Latch by Lever from either side. Deadbolt by key either side. Inside Lever retracts latch and deadbolt simultaneously.	

- Remarks: 1) Please see the pages E15, E19 for the matching Euro Profile Cylinders, Cylinder Rosette and pages T01, T02 Trim/lever Set Ordering Guide for the matching Lever sets.  
2) Other functions, such as: Night Latch, Bathroom and Dead lock etc. are to order.  
3) Please see page E14 for Mortise Lock Case ordering guide.



**Model F518-55 Euro Auto Lock Case  
DIN standard (72mm C~C)**

Baton model F518-55 Euro Auto Lock Case is made of heavy gauge galvanized steel case constructed with precision and durable stainless steel major working parts; ensures long lasting and trouble free performances. Field reversible.

The lower Deadbolt throws and deadlocks automatically when the door is closed.

Latch - Investment casting stainless steel construction. Non-handed.

Deadbolt - Formed steel laminated.

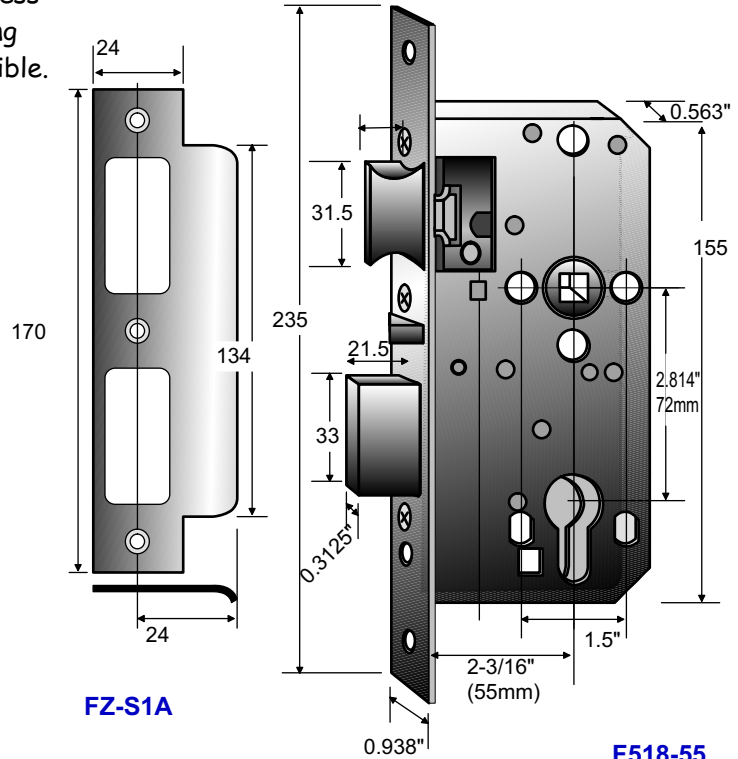
Front plate - Stainless steel.

Hub - Investment casting stainless steel, 8mm on square

Note - The outside knob must be set inoperatively and works as a door pull. Specify right hand or left hand when ordering.

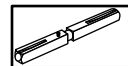
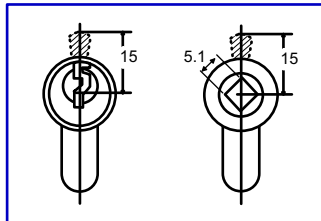
Finishes: US32D

Furnished with Strike (FZ-S1A),  
Dust boxes(F4-G3) and Mounting Screws.



FZ-S1A

F518-55



E08

Model No.	Backset	Function	Depiction
F518LL8Z55	2-3/16" (55mm)	<p><b>Entrance / Fire Exit (with egress)</b></p> <p>Deadbolt projects and deadlocks automatically when door is closed. Outside Knob/Lerer is always inoperative. Latch by Lever from inside or by key from outside. Deadbolt by Cylinder either side. Inside Lever retracts latch and deadbolt simultaneously.</p>	

Remarks: Please see pages E15 to E19 for the matching Euro Profile Cylinders, Cylinder Rosette and pages T01, T02 Trim / Lever Set Ordering Guide for the matching Lever sets; and see page E14 for lock case ordering guide.

**Series 'G' Euro Style Narrow  
Mortise Lock Case (92mm C~C)**

**E09**

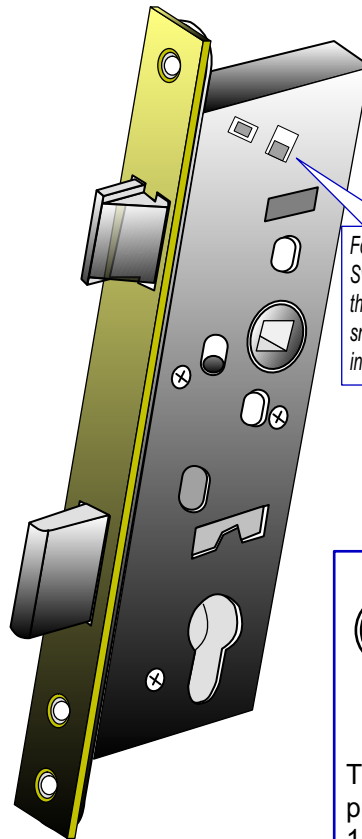
Baton series 'G' European style lever strength Mortise Lock Case has a unique design - requiring only 22 degrees to retract the latch. The mortise lock case takes any standard Euro profile cylinder that is constructed with a 15mm radius free rotation standard cam. See the following page for the Baton 'EC' Euro Profile Cylinders for styles and finishes available from stock.

The 3/4" (19mm) throw metal deadbolt and a non-handed field-reversible spring latch assemblage with other precision working parts are constructed within a 7-7/8" (220mm) high x 11/16" (17mm) thick galvanized steel mortise case. Both of the exposed latch and deadbolt are chrome plated (D).

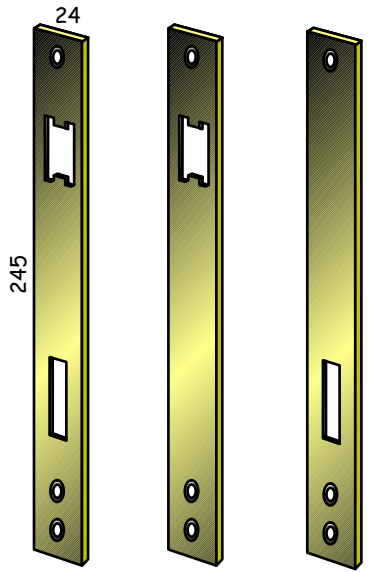
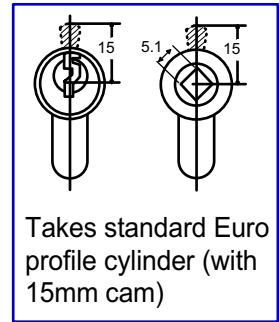
The model G315 Entrance Lock case is featured with egress function - The inside lever retracts latch and deadbolt simultaneously. To employ this function, the outside lever must be set inoperatively and works as a door pull. Many other functions are available. Please see next page for functions available.

Strike is a separate purchase item. Please see next page.

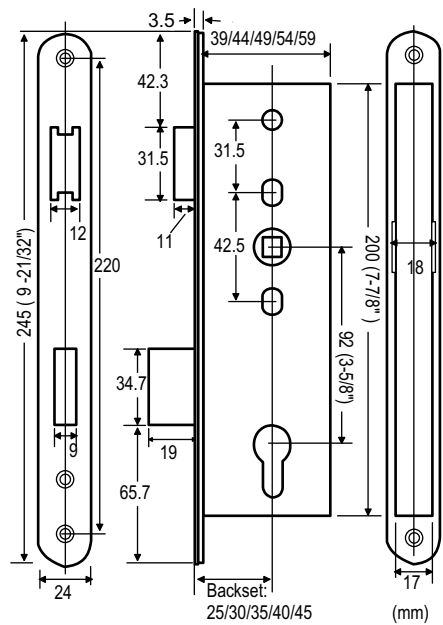
Finishes: US10B, 3, 32,  
32D, 4  
Hubsize: 8mm on square.  
Backset: 25, 30, 35,  
40, & 45mm



For hand change:  
Swing up the trigger to pop out the latch; rotate 180 degree and snap back to its working position in slot.

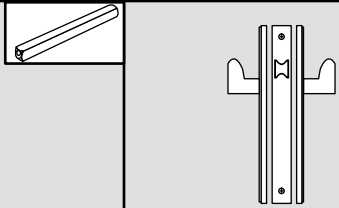
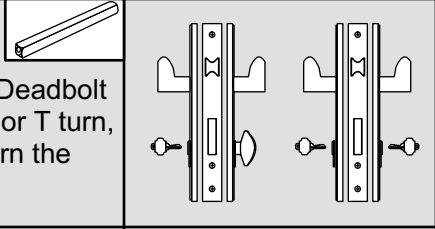
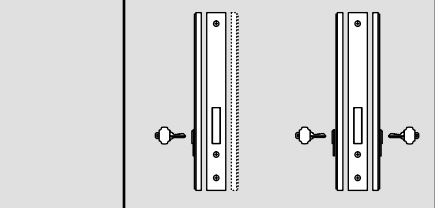
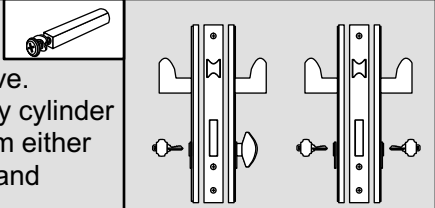


GZ- F1E Faceplate    GZ- F1H Faceplate    GZ- F1K Faceplate

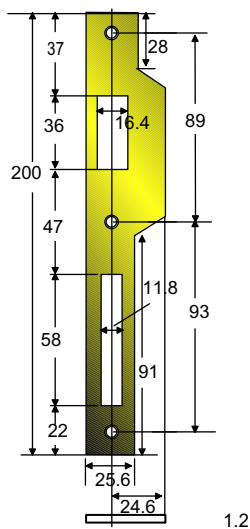


Remarks: Please see pages E15 to E19 for the matching Euro Profile Cylinders, Cylinder Rosette and pages T01, T02 Trim / Lever Set Ordering Guide for the matching Lever sets; and see page E14 for lock case ordering guide.

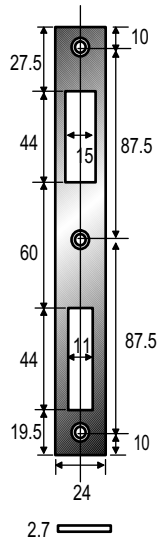
# Series 'G' Euro Mortise Lock Case Function Chart and Strike

Model No	Backset	Function	Depiction
G301LL8D25 G301LL8D30 G301LL8D35 G301LL8D40 G301LL8D45	25mm( 1" ) 30mm(1-3/16") 35mm( 1-3/8" ) 40mm(1-9/16") 45mm( 1-3/4" )	<b>Passage</b> Latch operated by Lever from either side at all times.	
G308LL8D25 G308LL8D30 G308LL8D35 G308LL8D40 G308LL8D45	25mm( 1" ) 30mm(1-3/16") 35mm( 1-3/8" ) 40mm(1-9/16") 45mm( 1-3/4" )	<b>Entrance (without egress)</b> Latch by Lever from either side. Deadbolt operated by Profile cylinder, key or T turn, from either side. Continuing to turn the cylinder will retract the Latch	
G317LLND25 G317LLND30 G317LLND35 G317LLND40 G317LLND45	25mm( 1" ) 30mm(1-3/16") 35mm( 1-3/8" ) 40mm(1-9/16") 45mm( 1-3/4" )	<b>Deadlock</b> Deadbolt operated by Profile cylinder, key or T turn, from one or either side.	
G315LL8D25 G315LL8D30 G315LL8D35 G315LL8D40 G315LL8D45	25mm( 1" ) 30mm(1-3/16") 35mm( 1-3/8" ) 40mm(1-9/16") 45mm( 1-3/4" )	<b>Entrance (with egress)</b> Outside lever is always inoperative. Latch by Lever from inside and by cylinder outside. Deadbolt by cylinder from either side. Inside Lever retracts latch and deadbolt simultaneously.	

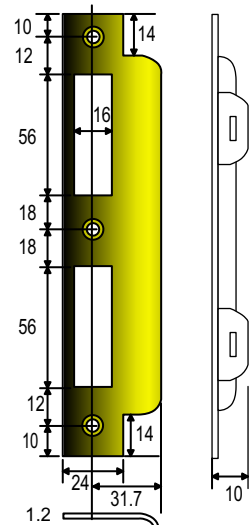
E10



**GZ-S1AU**  
Strike



**GZ-S2**  
Strike



**GZ-S3CU**  
Universal Strike

Baton series K500 and K700 Heavy duty SN Mortise Lock Case are made of heavy gauge steel. The 3mm thick stainless steel lock front is constructed with a U shape bracket to receive the lock case, provides extra strength against heavy blow on impact.

Solid steel hub, 8mm on square, featured with strong spring, requires very small angle rotation to retract the latch bolt. Ideal for use with lever handles, paddle or other exit devices.

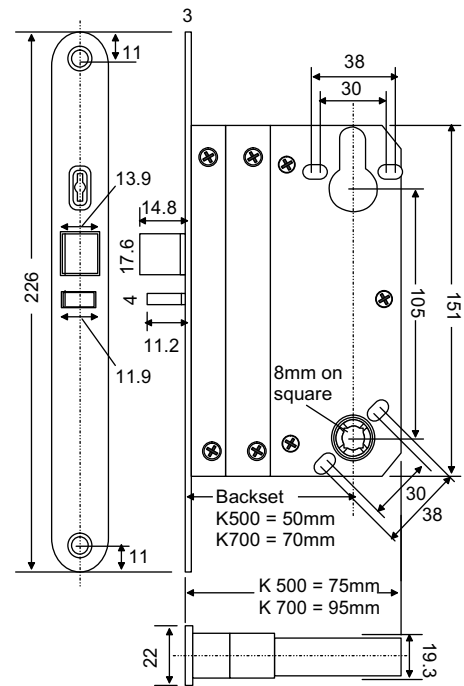
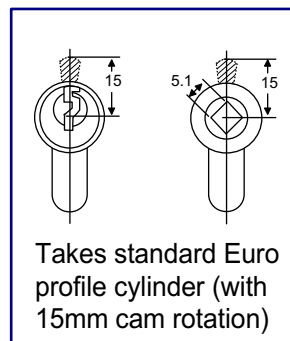
Both of the Spring and Auxiliary Latches are made of solid steel with pioneer design for easy hand change or backset converting without opening the lock case.

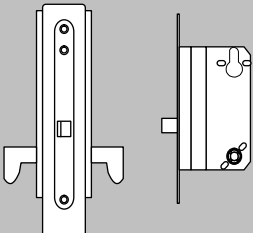
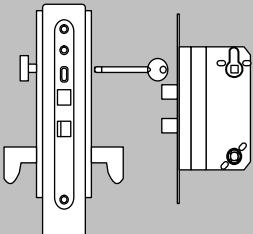
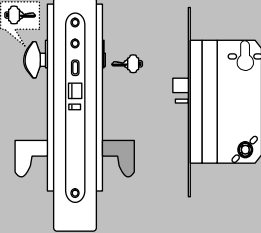
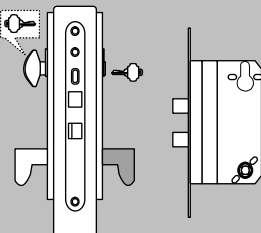
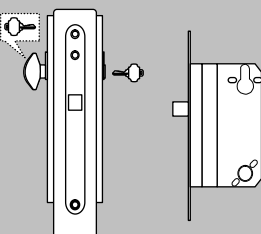
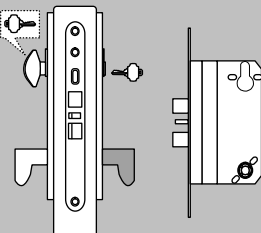
Hold-back feature is installed in all models except the Deadlock; and can be reassumed by using KZ-X214 Hold-back key. Simply open the Hold-back gate by unplugging the plastic seal located above the spring latch; depress both latches into the lock front and retain the latches with the Hold-back key.

Many functions are available. Please see the next page for the details,

Backsets: 50mm, 70mm  
Hub size : 8mm on square

Lock case is packed in plain box individually. Euro Profile Cylinder (see page E15, E16), Strike, Backset Conversion Kits (KZ-X350 for 70mm to 50mm, KZ-X370 for 50mm to 70mm) and Hold-back key (KZ-X214) are separate purchase items.



Model No	Backset	Function	Depiction
K501LL8Z50 K701LL8Z70	50mm 70mm	<b>PASSAGE</b> Latch by Lever from either side.	
K502LL8Z50 K702LL8Z70	50mm 70mm	<b>PRIVACY / BATHROOM</b> Deadbolt by turn piece from inside, by emergency release key from outside. Latch by Lever from either side.  Hub sizes for Turn Piece are available in 5, 6 or 8mm	
K504LL8Z50 K704LL8Z70	50mm 70mm	<b>NIGHT LATCH (with hold-back feature)</b> Latch by lever from inside by key outside. Outside Lever is always inoperative. Auxiliary latch deadlocks latch. Withdraw the latch and by using a hold-back key to hold back the latch inside the lock case. The hold back feature can also be inoperative by using the block plate furnished.	
K508LL8Z50 K708LL8Z70	50mm 70mm	<b>SASHLOCK (with hold-back feature)</b> Deadbolt by key from outside and turn piece(or key) from inside. Latch by Lever from either side; or by key outside if outside Lever is set inoperatively. Withdraw the latch and by using a hold-back key to hold back the latch inside the lock case. The hold back feature can also be inoperative by using the block plate furnished.	
K517XXNZ50 K717XXNZ70	50mm 70mm	<b>DEADLOCK</b> Deadbolt by key or Turn Piece outside, or both sides.	
K521LL8Z50 K721LL8Z70	50mm 70mm	<b>ENTRANCE, Dual Deadlocking (with hold-back feature)</b> Deadbolt by key from outside and turn piece(or key) from inside. Latch by Lever from either side; or by key outside if outside Lever is set inoperatively. Auxiliary latch deadlocks latch. Withdraw the latch and by using a hold-back key to hold back the latch inside the lock case. The hold back feature can also be inoperative by using the block plate furnished.	

**Models KZ-X350 & KZ-X370  
Conversion Kits for 'K' Lock**

Backset Conversion Kits for the series 'K' Mortise Lock cases are available to order.

Model KZ-X350 consists one piece each of the 50mm Spring Latch and Auxiliary Latch, is ideal for converting to a 50mm backset from a 70mm backset lock case.

Model KZ-X370 consists a set each of the Backset Extended Bracket assemblage, Long Auxiliary Latch, Long Spring Latch and Latch Bracket; is ideal for converting to a 70mm backset from a 50mm backset lock case.

E13

**KZ-X350**  
Backset Conversion Kit for K504 50mm

KZ-X062-5  
Short Auxiliary Latch 50mm

KZ-X032-5  
Short Spring Latch 50mm

**KZ-X370**  
Backset Conversion Kit for K700 70mm

KZ-X062-7  
Long Auxiliary Latch 70mm

KZ-X041-7  
Latch bracket for 70mm

KZ-X032-7  
Long Spring Latch 70mm

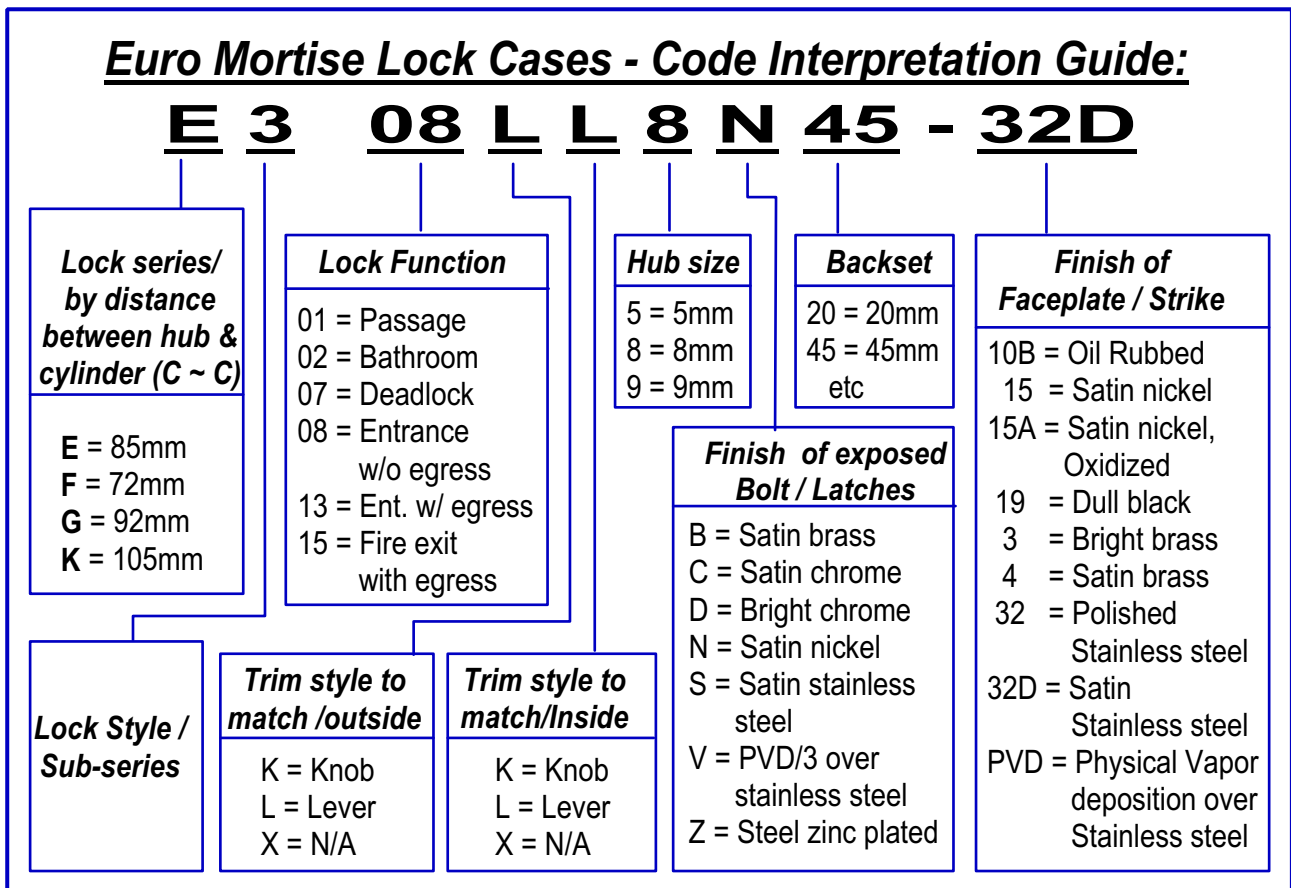
KZ-X220  
Backset Extension Bracket 20mm

Model No	Description
KZ-X350 KZ-X370	Backset Conversion Kits - for converting to 50mm from a 70mm backset lock Backset Conversion Kits - for converting to 70mm from a 50mm backset lock

# How to order Euro Style Series 'E', 'F', 'G' & 'K' Mortise Lock Cases

Catalogue numbers for specific models contain complete information for each specific model, except for the handing. However, series 'E', 'F' and 'G' locks are designed for field reversible. Simply follow the steps as described of the Hand change menu furnished with the lock case shipped for the hand change.

The first one digit specifies the series, defined by the distance between the center of the Lever Hub and Cylinder. The second digit stands for the lock type. The following two digits designate the lock function. Please see pages E01 ~ E12 for the most common mortise lock functions. The type of Trim style to use is specified by the following two letters. The first letter indicates the outside Trim style and the second letter indicates the inside Trim style. Trim set is ordered separately (see page T01 T02 for ordering guide). The following letter indicates the finish of the exposed parts. The last letter or letters indicate the U.S. standard finish for the Faceplate and Strike. Except otherwise specified, Mortise Lock Case is furnished with Faceplate, Strike, Dust box, Template/instruction and mounting hardware. Please see pages E01 to E12 for the details and available finishes of each models in stock.



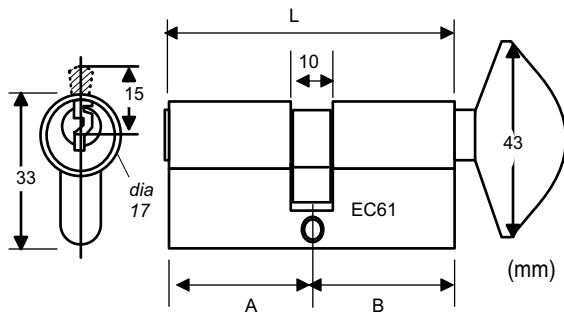
**Remarks:**

- 1) All Mortise Lock Cases are Non-handed and field-reversible. However, the lock case can be present to specific handing as per request.
- 2) Euro Cylinder is ordered separately. Please see page E15 and E16 for styles, sizes and finishes available.
- 3) Please see page T01, T02 Trim/lever set index for matching trim or lever sets available in stock.

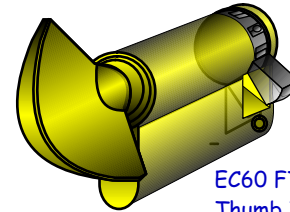
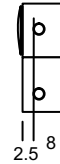
# Series 'EC' Solid Brass Euro Profile Cylinders

Model EC60 Half Cylinder is constructed with an 8-position adjustable cam stud. Both Half and Privacy Cylinders are featured with a slot for emergency release from exterior. Model EC55 and EC65 are constructed with precision brass 5-pin tumblers, 6-pin for Model EC66 keying protection. Set screws pin seal for easy rekeying. 'Schlage-C' keyway, compatible with Series 'AC' Mortise and series 'D4' Deadbolt cylinders. Two large bow keys are included.

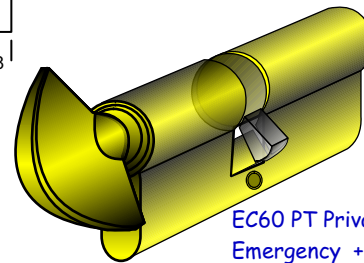
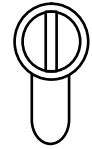
E15



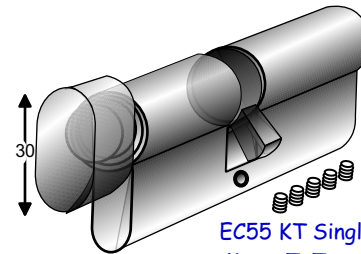
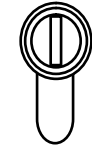
EC60DF Dummy Plug



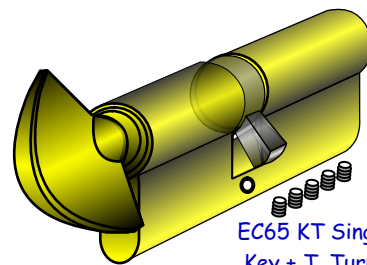
EC60 FT Half Cylinder Thumb Turn Interior



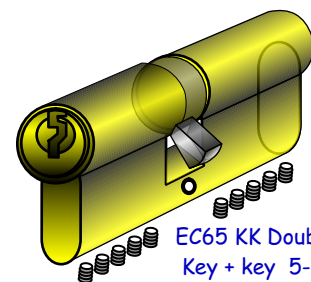
EC60 PT Privacy Cylinder Emergency + T. Turn



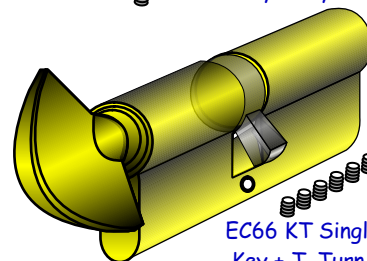
EC55 KT Single Cylinder Key + T. Turn 5-pin



EC65 KT Single Cylinder Key + T. Turn 5-pin



EC65 KK Double Cylinder Key + key 5-pin



EC66 KT Single Cylinder Key + T. Turn 6 pin



Products	Stock No	Size (mm)				Finishes in stock ('•')								
		A	B	L	Pin	10B	14	15	15A	26	26D	3	3N	4
Key+turn 5-pin	EC55KT3646	36	46	82	5			•						
	EC55KT4636	46	36	82	5			•						
Dummy Plug	EC60DF0208	2	8	10	--	•		•	•			•	•	
Half Cylinder Flat+T Turn	EC60FT1031	10	31	41	--	•	•	•	•				•	•
	EC60FT1036	10	36	46	--	•	•	•	•		•		•	•
	EC60FT1041	10	41	51	--	•		•	•	•			•	•
Privacy+T Turn	EC60PT3131	31	31	62	5	•		•	•				•	•
	EC60PT3636	36	36	72	5	•		•	•				•	•
Key+Turn 5-pin	EC65KT3131	31	31	62	5	•	•	•	•		•		•	•
	EC65KT3141	31	41	72	5	•		•	•			•	•	
	EC65KT3151	31	51	82	5	•		•	•			•	•	
	EC65KT3161	31	61	92	5	•		•	•	•			•	•
	EC65KT3636	36	36	72	5	•	•	•	•	•	•		•	•
	EC65KT4141	41	41	82	5	•		•	•				•	•
Key+Key 5-pin	EC65KK3131	31	31	62	5	•		•	•			•	•	
	EC65KK3636	36	36	72	5	•		•	•	•		•	•	
Key+turn 6-pin	EC66KT3636	36	36	72	6						•		•	
Key+Key 4-pin (Yale keyway)	EC74KK2222	22	22	44	4			•					•	

**Remarks:**

- 1) To find the length of the cylinder you need for each side: Measure the exact thickness from the center of the lock mount of the door plus the thickness of the trim(s).
- 2) EC74 KK constructed with a 4 pin protection, furnished w/3 Y5 keys.



**Series 'EC' Custom Length and 2-tone finish Euro Profile Cylinders**

Other than the most common sizes of the Profile Cylinders stocked constantly as shown on page E14, Baton provides an in-house Custom Made service to meet your specific job needs. Please see the following chart and call Baton's CSR for details.

**Cylinder with sole finish -**

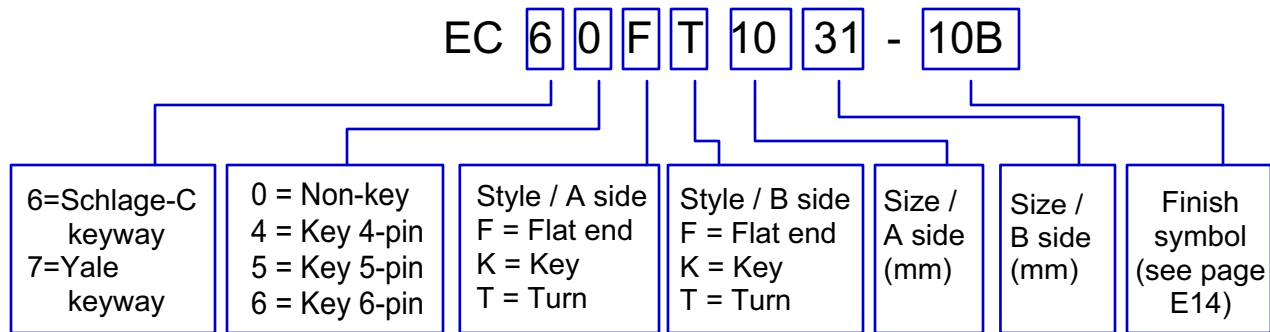
<p><b>EC60FT-CX</b></p>	<p><b>EC61KF-CX</b></p>
<p><b>EC61KT-CX</b></p>	<p><b>EC62KK-CX</b></p>

**Cylinder with two-tone finish -**

Cylinder of Two-Tone, likewise, US10B key side with US15 on T turn side, or satin brass (US4) one side with bright chrome (US26) another side is available to order. Please specify when ordering.

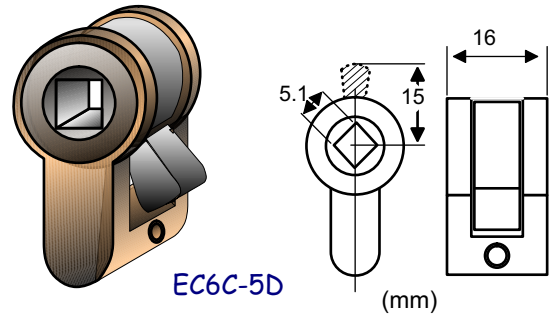
<p><b>EC61KT-CXB</b></p>	<p><b>EC62KK-CXB</b></p>
--------------------------	--------------------------

**'EC' Cylinder Code Interpretation Guide**



**EC6C-5D Profile Cylinder Converter**

The Profile Cylinder Converter is of all metal construction, enabling the European style mortise lock case to be operated by American cylinder, or a Thumb Turn that is constructed with a 5mm Spindle and or a 5.5 W x 2.0mm T flat tail.



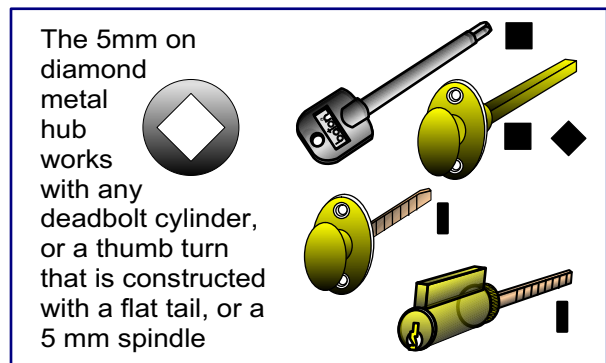
EC6C-5D

(mm)

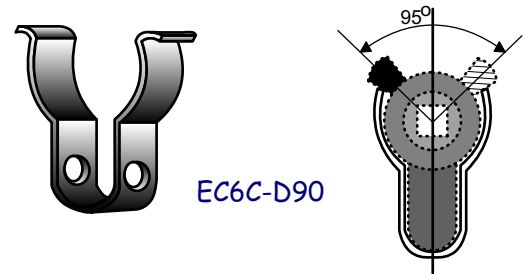
**EC6C-D90 Profile Cylinder Detainer**

Made of spring steel, detains the profile cylinder Cam within a 90 degree rotation in normal operation.

Stock No.	Description	Hub
EC6C-5D	Profile Cylinder Converter	5.1mm
EC6C-D90	Cam Detainer, 95 degree	----



The 5mm on diamond metal hub works with any deadbolt cylinder, or a thumb turn that is constructed with a flat tail, or a 5 mm spindle

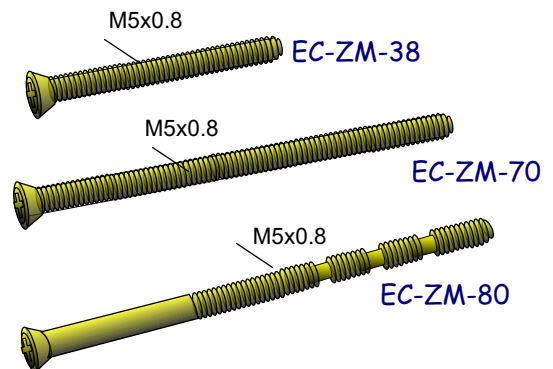


EC6C-D90

**EC-ZM Mounting Screws**

Mounting Screws for the Euro Profile Cylinder are made of steel. 3 sizes are available. Packed 10 pcs per bag.

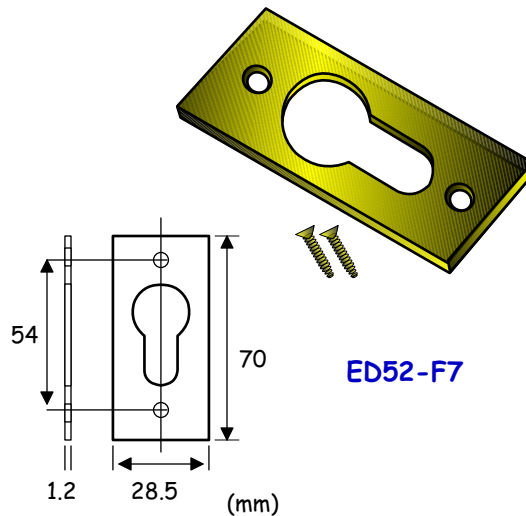
Stock No.	Description/size	Finish
EC-ZM-38	M Screw M5-0.8 x 38mm	US15
EC-ZM-70	M Screw M5-0.8 x 70mm	US15, 3
EC-ZM-80	M Screw M5-0.8 x 80mm w/3 ring cuts	US10B,14, 15A, 19, 3



**ED52-F7 Euro Cylinder Rosette**

Model ED52-F7 is made of raw brass; ideal for flush mount to cover the profile cylinder. Furnished with 2 mounting screws.

Finishes available in stock:  
US10B, 3, 32D, & 4



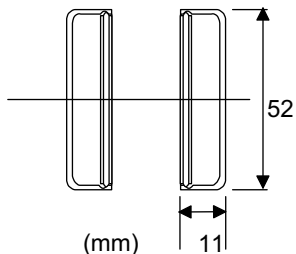
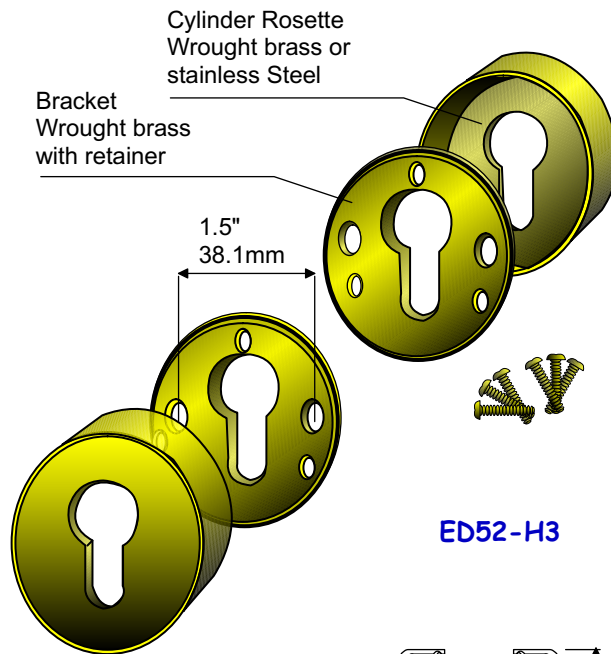
E18

Stock No.	Description
ED52-F7	Euro Cylinder Rosette 70x28.5x1.2mm

**ED52-H3 Euro Cylinder Rosette**

The 4mm thick brass mounting bracket is formed with a rubber retainer, to allow for the easy Snap-On of the finished rosette. A pair of 38mm C to C through holes are drilled for through bolting mount (bolting screws excluded). Furnished with 6 wood screws. All the screws are concealed behind the finished rosette.

Finishes available in stock:  
US10B, 3, 32, 32D & 4.



Stock No.	Description
ED52-H3	Euro Cylinder Rosette 52 x 12mm

**Series ED52 Euro Cylinder Rosette**

These super heavy duty Cylinder Rosettes are designed for special security. The 10mm thick exterior solid steel guard is secured with 2 alloy bolting screws (38mm C to C) with the interior 4mm thick bracket. It provides excellent protection against pulling, hammering or prying open by a burglar.

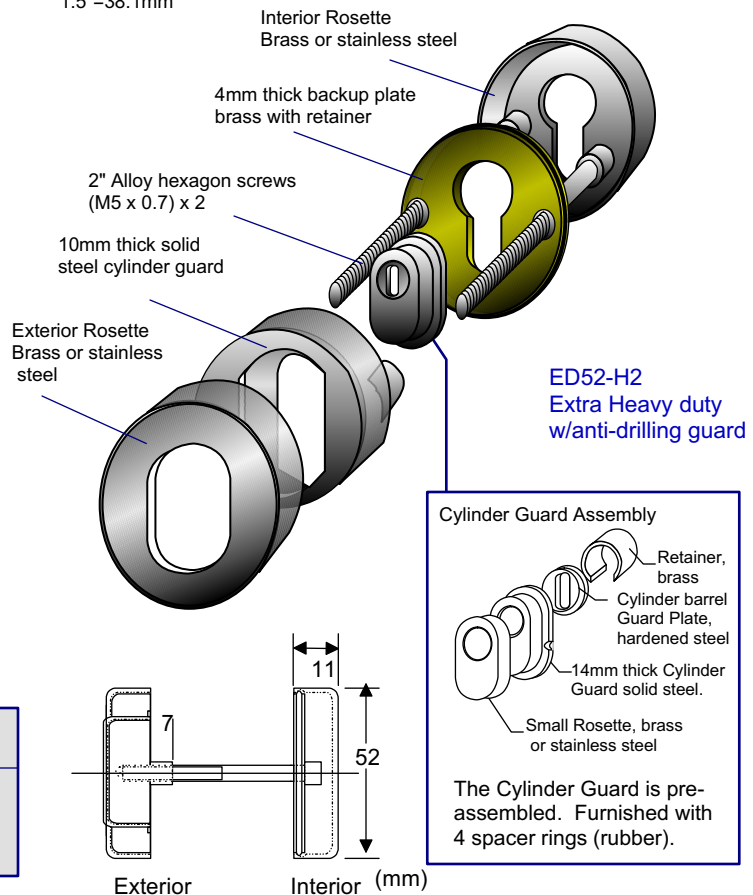
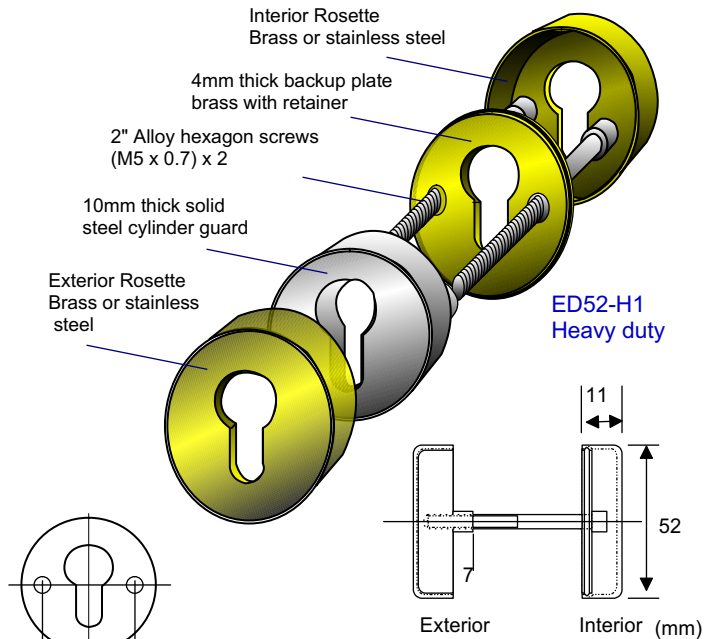
The model ED52-H2, superior duty Cylinder Rosette is constructed with a solid steel cylinder guard. An anti-drilling hardened steel guard plate is installed inside the cylinder guard to add extra security. The cylinder guard is furnished with 4 rubber spacers to allow for the proper installation of the cylinder.

A pair of 2" long alloy bolting screws for both models are included as standard. Bolting screws are concealed behind the finished rosette.

Finishes in stock:  
US10B, 3, 32, 32D & 4



Stock No.	Description
ED52-H1	Heavy duty cylinder rosette
ED52-H2	Superior duty cylinder rosette



E19

# Service Menu / F400

## - Egress/Handing Rotation

### **For Series F400 Euro Mortise Lock cases**

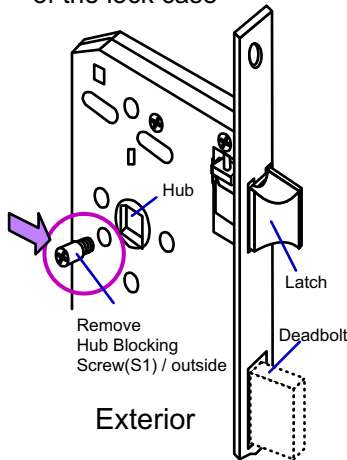
The handing of the Spring Latch and Egress function of the Baton Series 'F' Euro Mortise Lock Cases are field-reversible. **Removing the case cap to change the handing is not necessary.** Please follow instructions to rotate the Spring Latch and to activate the Hubs.

### **A) To Activate the Lever Hubs and to set the Egress function :**

The lock case is pre-assembled with a rigid hub set by Blocking Screws on both sides. Please follow the steps below to release the Hubs and to engage the Egress function. (Note: The Egress function enables the inside Lever to retract Latch and Deadbolt simultaneously - to open the door in one action). Take the following steps after determining which is to be the interior/exterior of your lock case.

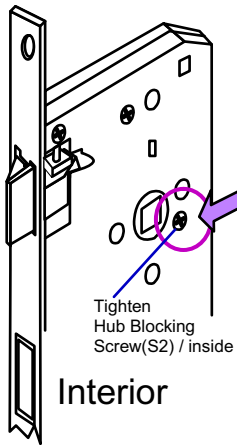
#### **Step 1 -**

Remove the **Hub Blocking Screw** at the **Exterior** side of the lock case



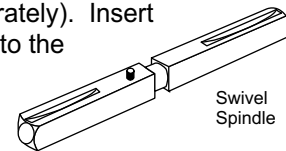
#### **Step 2 -**

Tighten the hub blocking screw located at the Interior



#### **Step 3 -**

Test the lock / Egress function - Throw the deadbolt with a Profile Cylinder (To be ordered separately). Insert the Swivel Spindle into the hub to test the Hubs with a Lever



The **Exterior Lever** (the side without a Hub Blocking Screw) retracts the Latch, but does not engage to the Deadbolt. The **Interior Lever** retracts Latch and Deadbolt simultaneously

#### **Note:**

You must use a Swivel Spindle to engage the Egress feature. If your Trim package is provided with a solid Spindle and you do not want to have the Egress feature; the interior Hub Blocking Screw (S2) must be also removed.

### **B) To set the lock without Egress -**

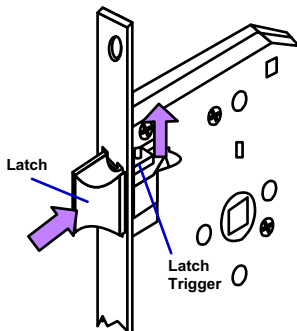
Simply remove the Hub Blocking Screws on both side, the lock then works as without egress (F408). Lock case of without egress can also be set back to feature egress function (F413) by fasten the "Hub Blocking Screw" on interior side.

### **C) Rotate the Spring Latch -**

The Spring Latch is assembled for Right Hand or Left Hand Reverse. If this is correct for your application, there is no need to rotate the Latch. However, the Latch can be rotated thusly.

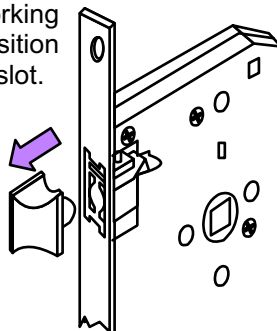
#### **Step 1 -**

Depress the latch about 1/16" until you can Slide up the Latch Trigger



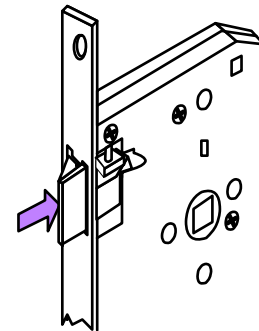
#### **Step 2 -**

Remove the latch, rotate 180 degree and snap back to its working position in slot.



#### **Step 3 -**

Press the latch all the way back to the lock case. It's done.



# Service Menu / F400

## - Egress/Handing Rotation

### **For Series F400 Euro Mortise Lock cases**

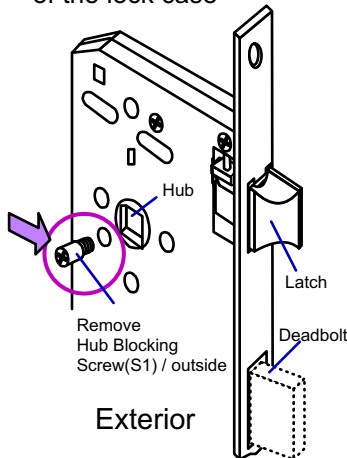
The handing of the Spring Latch and Egress function of the Baton Series 'F' Euro Mortise Lock Cases are field-reversible. **Removing the case cap to change the handing is not necessary.** Please follow instructions to rotate the Spring Latch and to activate the Hubs.

### **A) To Activate the Lever Hubs and to set the Egress function :**

The lock case is pre-assembled with a rigid hub set by Blocking Screws on both sides. Please follow the steps below to release the Hubs and to engage the Egress function. (Note: The Egress function enables the inside Lever to retract Latch and Deadbolt simultaneously - to open the door in one action). Take the following steps after determining which is to be the interior/exterior of your lock case.

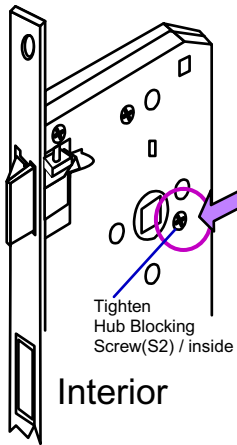
#### **Step 1 -**

Remove the **Hub Blocking Screw** at the **Exterior** side of the lock case



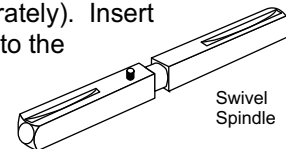
#### **Step 2 -**

Tighten the hub blocking screw located at the Interior



#### **Step 3 -**

Test the lock / Egress function - Throw the deadbolt with a Profile Cylinder (To be ordered separately). Insert the Swivel Spindle into the hub to test the Hubs with a Lever



The **Exterior Lever** (the side without a Hub Blocking Screw) retracts the Latch, but does not engage to the Deadbolt. The **Interior Lever** retracts Latch and Deadbolt simultaneously

#### **Note:**

You must use a Swivel Spindle to engage the Egress feature. If your Trim package is provided with a solid Spindle and you do not want to have the Egress feature; the interior Hub Blocking Screw (S2) must be also removed.

### **B) To set the lock without Egress -**

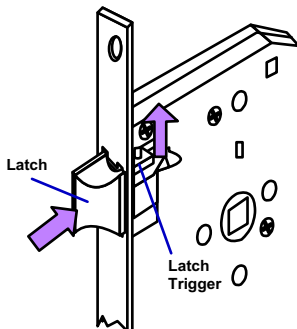
Simply remove the Hub Blocking Screws on both side, the lock then works as without egress (F408). Lock case of without egress can also be set back to feature egress function (F413) by fasten the "Hub Blocking Screw" on interior side.

### **C) Rotate the Spring Latch -**

The Spring Latch is assembled for Right Hand or Left Hand Reverse. If this is correct for your application, there is no need to rotate the Latch. However, the Latch can be rotated thusly.

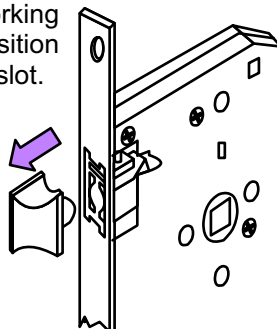
#### **Step 1 -**

Depress the latch about 1/16" until you can Slide up the Latch Trigger



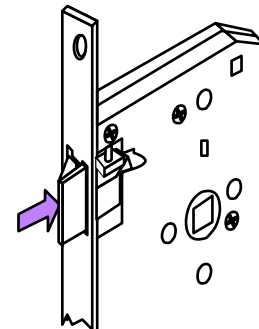
#### **Step 2 -**

Remove the latch, rotate 180 degree and snap back to its working position in slot.



#### **Step 3 -**

Press the latch all the way back to the lock case. It's done.



# Service Menu / F518 Euro Auto Lock

## - Handing Activation/change Menu

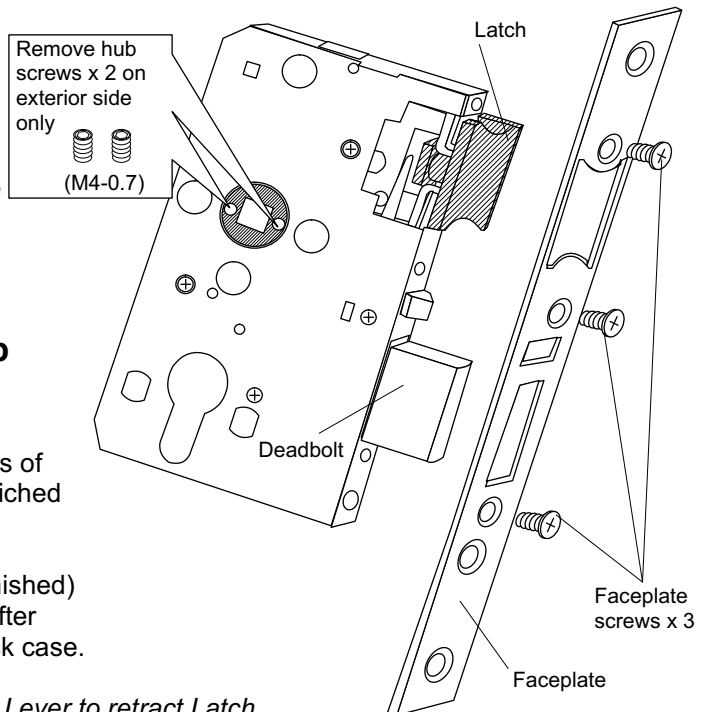
The handing of the Spring Latch and Egress function of the Baton model F518 Euro Auto Lock Case is field-reversible. Removing the case cap to change the handing is not necessary. Please follow instructions to rotate the Spring Latch and to disable the exterior hub.

### A) To disable the exterior Lever hub and set Egress function

The lock case is assembled with activate hubs of both sides - the Egress Hub Trigger is sandwiched between Exterior Hub and Interior Hub..

Simply to use the 2mm hexagon wrench (furnished) to remove the exterior side Hub Screws x 2 after determining which is to be exterior of your lock case.

*Note: The Egress function enables the inside Lever to retract Latch and Deadbolt simultaneously - to open the door in one action.*



E22

### B) To Rotate the Spring Latch -

The Spring Latch of this lock case is assembled with Right Hand or Left Hand Reverse. If this is correct for your application, there is no need to rotate the Latch. However, the Latch can be rotated thusly..

#### Step 1 -

Remove the Faceplate Screws x 3

#### Step 2 -

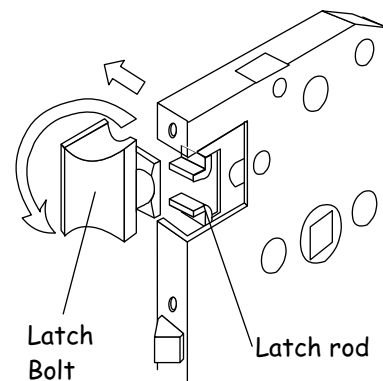
Remove the Faceplate

#### Step 3 -

Slide the Latch Bolt to either side of the lock case, rotate the Latch 180 degree and snap back to its working position in Latch Rod

#### Step 4 -

Attach the Faceplate and fasten with the Faceplate Screws x 3



#### **Note:**

*Make sure the inner section of the Swivel Spindle(excluded) is well connected with the Inner Hub and the center Egress Hub Trigger. The outer section of the Swivel Spindle is integrated with the Exterior Hub only, or to leave no connection with Exterior Hub.*

*If your outside Lever does not have a spring cage/power pack with detained cam stop, the outside Lever must be set to rigid.*

*Exterior Lever must be set rigid or inoperatively.*

**Models LT245 Passage Latch, Mortise Bolt & LT250LS Passage Latch/light weight**

The housing of models LT245 narrow backset Passage Latch and Mortise Bolt are made of die cast alloy, featuring a 5/8" wide case front to accommodate both thick and thin screen doors. Model LT245KS Passage latch is constructed with a non-handed stainless steel (S) latch tongue. Knob strength, Latch is retractable both at clockwise and counterclockwise rotation.

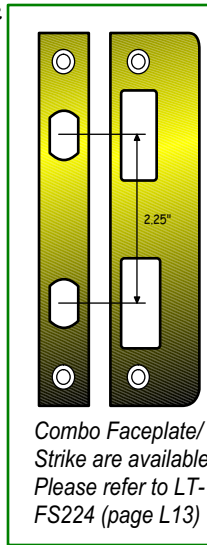
Model LT245MB Mortise bolt features a 3/4" throw nickel plated (N) brass bolt. Furnished with a Faceplate, Strike and Screws. Packed in individual box, 40 to a carton.

Hub size:

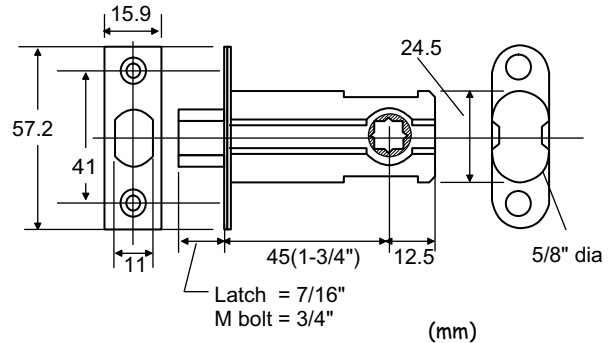
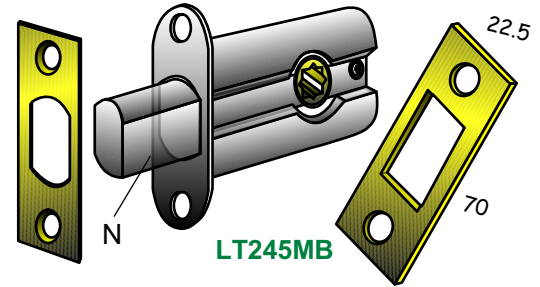
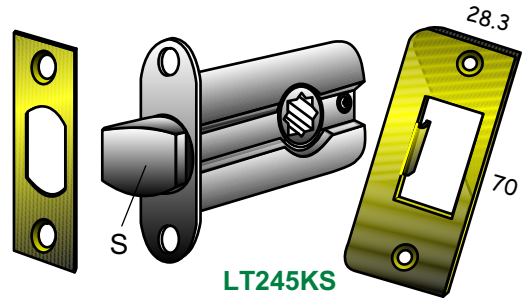
Latch : 8mm on Square/7.3mm on Diamond

M.Bolt: 5mm on diamond/square

Finishes: US10B, 19, 3 & 32D



Combo Faceplate/Strike are available Please refer to LT-FS224 (page L13)

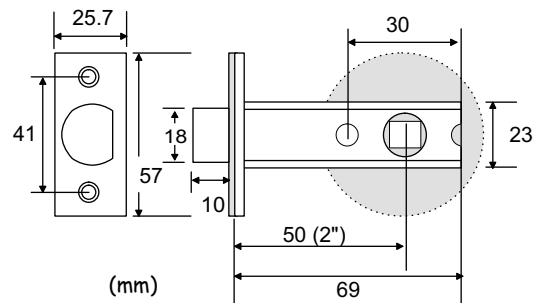
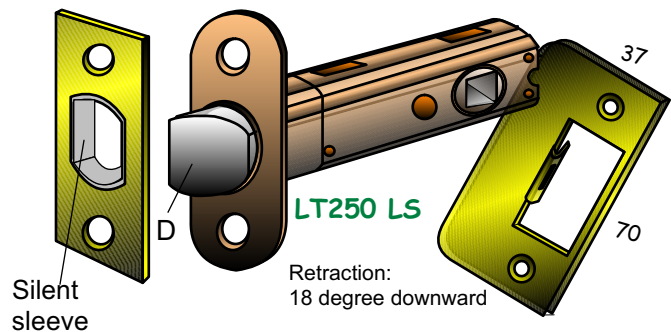


Stock No.	Description	Backset
LT245KS 8S	Passage Latch	1-3/4" (45mm)
LT245MB 5N	Mortise Bolt	1-3/4" (45mm)

Model LT250 LS Non-handed Passage Latch has a die cast construction, featuring a special axis-hub that requires very little lever action (18 degrees) to retract the latch. A nylon sleeve is installed between the housing front and bright chrome plated latch tongue (D) to ensure a smooth, quiet and long lasting operation, ideal for light weight Lever application. Supplied with a Faceplate, Strike, Dust Box and mounting Screws. Packed each individually in plain box, 10 in an inner box, 80 in a carton.

Hub size: 8mm on Square

Finish in stock : US10B, 19, 3 and 32D



Stock No	Description	Backset.
LT250LS 8D	Passage Latch	2" (50mm)



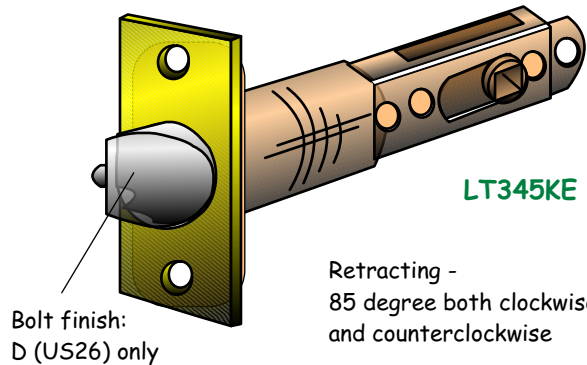
**Model LT345KE Entrance Latch &  
Model LT367KE Entrance Latch/UL-F90**

Model LT345 Entrance Latch is featured with an auxiliary dead locking Bolt, deadlocks the Latch Bolt (D=US26) when the door is closed. Supplied with Faceplate (LT-F3) , T-Strike(LT-ST181), Dust Box and Screws.

Finishes: US10B, 19, 3, 32 & 32D.

Hub size: 8mm on Square

Backset: 2-3/8" ~ 2-3/4" adjustable, or extended custom length



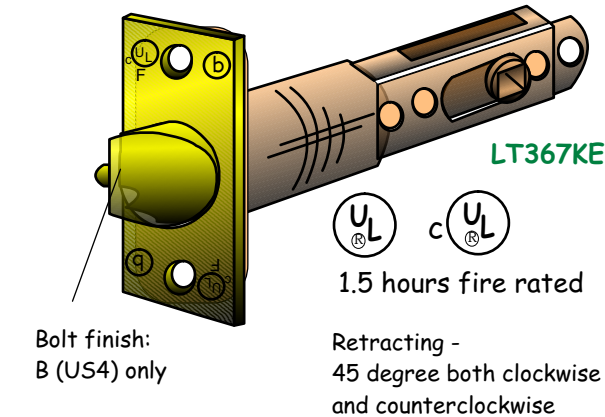
Model LT367 Entrance Latch is featured with an auxiliary dead locking bolt, deadlocks the latch when the door is closed. UL and cUL listed for use on 1.5 hour fire rated, A label doors. Supplied with Face Plate, T-Strike (LT-ST182), Dust Box (LT-G1) and Screws in individual box.

Finishes: US10B, 15A, 19, 3 & 32D

Hub size: 8mm on Square

Bolt finish: satin brass (B=US4)

Backset: 2-3/8" and 2-3/4" adjustable, or extended custom length.

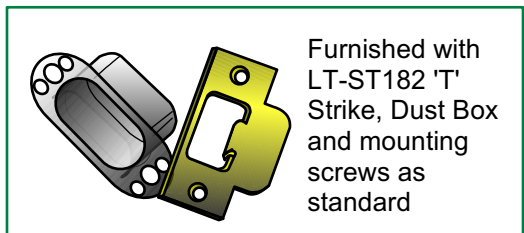
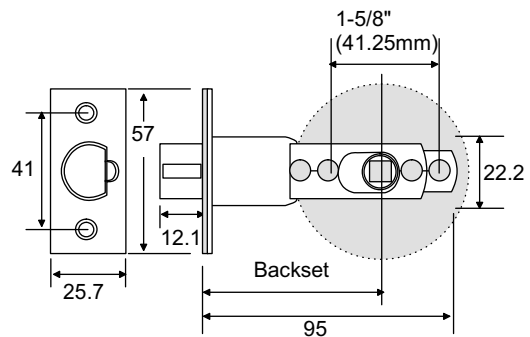
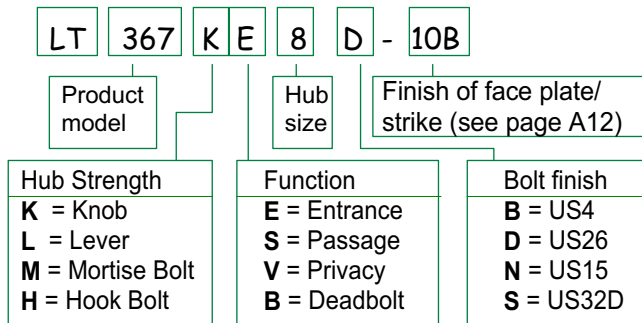


**L02**

Both models are constructed with soft spring action. Additional power pack is recommended when applying to Lever or weighted Knob.

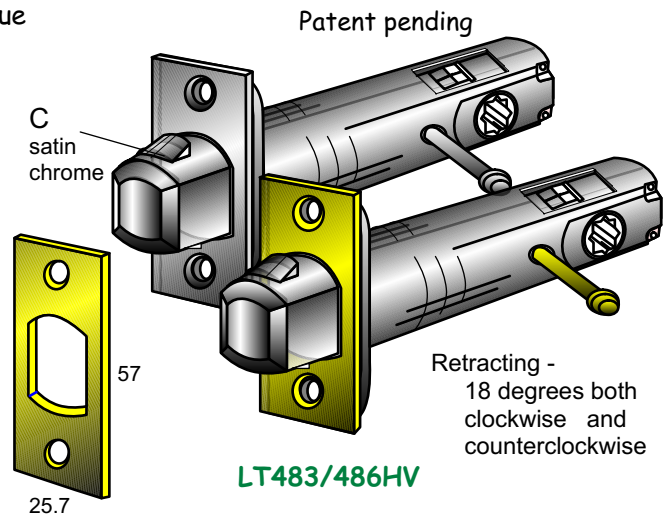
Stock No.	Description	Backset
LT345KE8D-__	Entrance Latch	2-3/8"~2-3/4" adj.
LT34CKE8D-__	Entrance Latch	Custom length
LT367KE8B-__	Entrance Latch	2-3/8"~2-3/4" adj
LT36CKE8B-__	Entrance Latch	Custom length

**'LT' Latch Code Interpretation Guide**



**Models LT483/486HV Heavy Duty Hook Bolt Latch & 7mm Hub Sleeve**

Models LT483/486 Hook Bolt Latches have a unique design - requiring only 18 degrees to retract the Hook. Ideal for using on a sliding or barn door. The Hook Bolt Latch can be retracted both clockwise and counterclockwise on either side, except when is locked with Privacy Button from inside, then retracted by inside Lever, automatically unlocking outside Lever. When the Hook Bolt is locked by inside Privacy Button, the outside Lever is rigid. The outside Lever can operate the Hook Bolt only after the Privacy Block is released from the outside emergency release hole. Eliminate the use of Privacy Pin works as a passage.

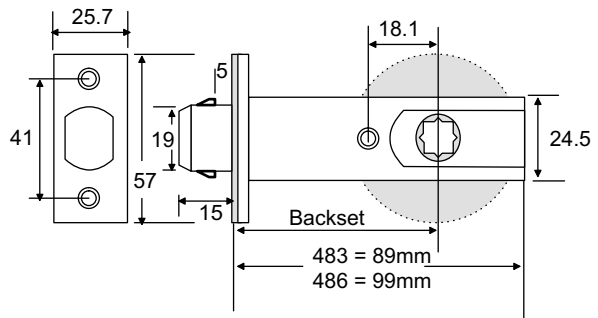


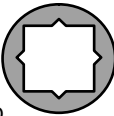
L03

Latch is supplied with satin chrome (C) Bolt only.  
Hub size: 8.0mm Square/7.3mm Diamond

The Hook Bolt Latch is supplied with a Faceplate, Strike, Dust box and mounting Screws as standard.  
Backset: 2-3/8"(60mm) & 2-3/4" (70mm) .

Finishes: US10, 10B, 14, 15, 15A, 19, 26, 26D, 3, 32D, 4, 5, & 9

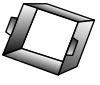




Universal Hub  
8mm on square  
& 7.3mm on diamond

**N8-H7**

7mm hub sleeve/  
to convert for 7mm  
on square spindles

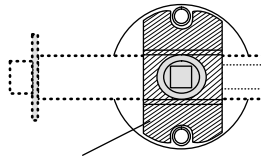


The Privacy function has an anti-lock feature. Depressing the Hooks by Strike when door is closing, or operating the inside Knob/Lever unlocks the latch.

Stock No.	Backset	Function	Retracting
LT483HV8B/C	2-3/8"(60mm)	Privacy	18°
LT486HV8B/C	2-3/4"(70mm)	Privacy	18°

- See Page L02 Code Interpretation Guide for ordering

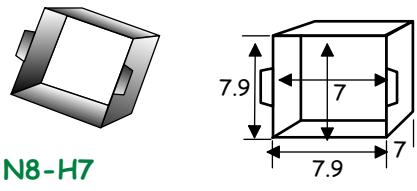
Model N8-H7 Hub Sleeve is designed to convert a Mortise Lock Case or a Latch to take a 7mm Spindle from a regular 8mm hub. For the split hub application, simply insert the Hub Sleeve from each side of the Hubs of the Lock or Latch



LT-MA186/MA281

Stabilizer is recommended

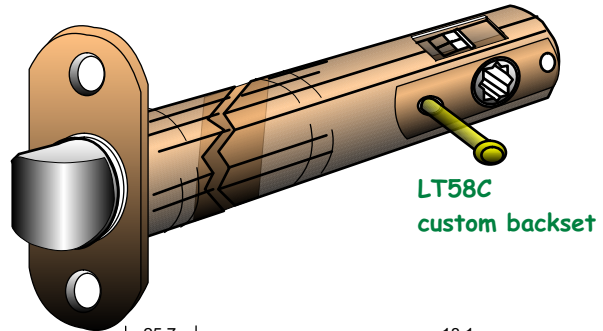
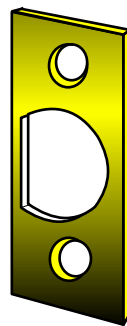
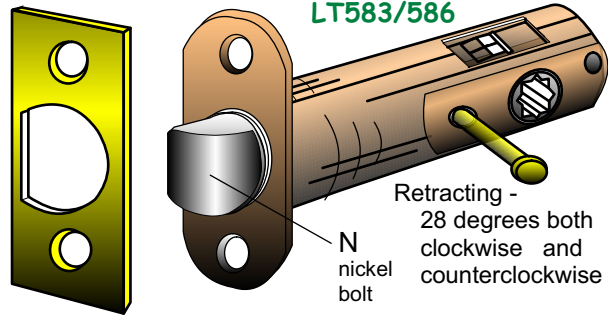
Stock No.	Description
N8-H7	Hub Sleeve, 7 x 7mm



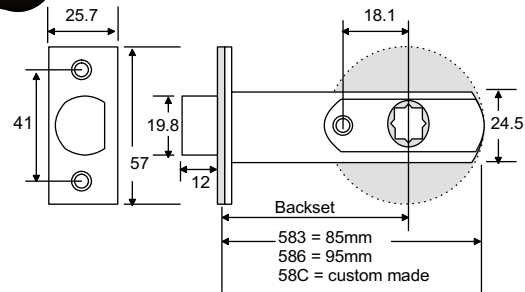
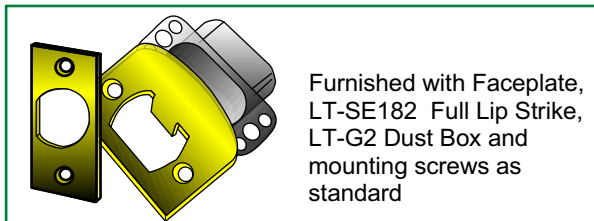
# Series LT580 Heavy Duty Standard & Extended Tubular Latch

Series LT580 Tubular Latch has a unique design - requiring only 28 degrees both clockwise and counterclockwise rotations on either side to retract the Bolt. The satin nickel (N) finished forged latch bolt is reversible to facilitate door handing. Latch is assembled with Knob strength only. Power Pack (LT-RS150) or a similar assist spring cage is recommended for heavier Lever application. Latch is supplied with Privacy function only. Eliminating the installation of the privacy pin works as a passage latch.

The Privacy function has an anti-lock feature. Depressing the latch bolt by the strike when door is closing, or operating the inside Knob/Lever unlocks the latch.



Hub size: 8.0mm Square/7.3mm Diamond  
Finishes: US10, 10B, 14, 15, 15A, 19, 26, 26D, 3, 32D, 4, 5, & 9



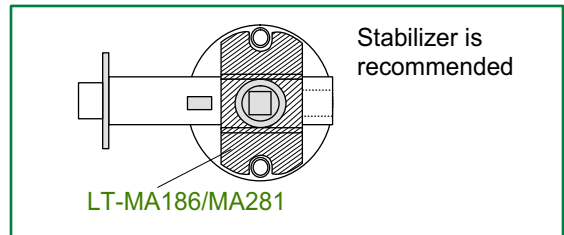
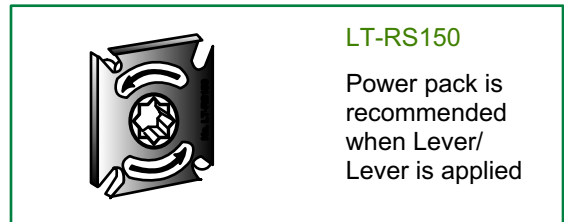
Stock No.	Backset	Function	Bolt finish
LT583KV8N_	2-3/8"	Privacy (K/K)	Satin Nickel
LT586KV8N_	2-3/4"	Privacy (K/K)	Satin Nickel

- See Page L02 Code Interpretation Guide for ordering  
- For extended T Strikes, Full Lip Strikes and Combo Faceplate/Strikes please refer to pages L12 and L13

Custom made Extended Tubular Latch - Extended backset Tubular Latch in various lengths can be ordered as a custom made item. Please call Baton's CSR for details.

Stock No.	Backset	Function	Bolt finish
LT58CKV8N	Custom	Privacy (K/K)	Satin Nickel

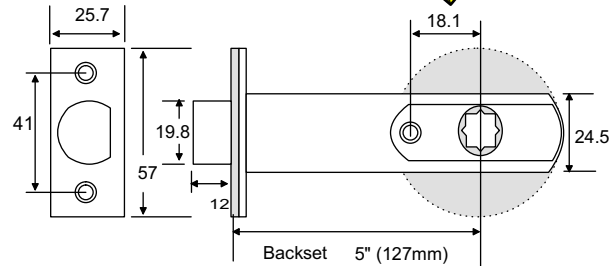
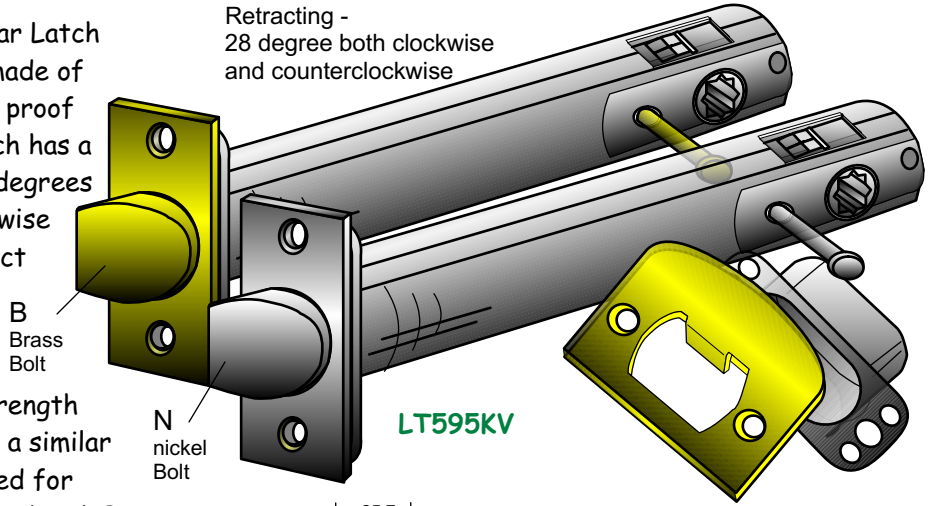
L04



# Model LT595 Heavy Duty 5" Stainless Steel Tubular Latch

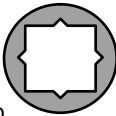
Model LT595 5" backset Tubular Latch is a totally solid construction - made of selected stainless steel for rust proof and life time operation. The Latch has a unique design, requiring only 28 degrees both clockwise and counterclockwise rotations on either side to retract the Bolt. The forged brass Bolt (B or N finish) is reversible to facilitate door handing. Latch is assembled with Knob strength only. Power Pack (LT-RS150) or a similar assist spring cage is recommended for heavier Lever application. Supplied with Privacy function only. Eliminating the installation of the privacy pin works as a passage latch.

Retracting -  
28 degree both clockwise  
and counterclockwise



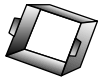
Furnished with a Face plate (LT-F1), a Strike (LT-SE182), a Dust box and mounting Screws. Hub size: 8.0mm Square/7.3mm Diamond Finishes: US10, 10B, 14, 15, 15A, 19, 26, 26D, 3, 32, 32D, 4, 5 & 9. Backset: 5" (127mm)

The Privacy function has an anti-lock feature. Depressing the latch bolt by strike when door is closing, or operating the inside Knob/Lever unlocks the latch.




**N8-H7**

7mm hub sleeve/  
to convert for  
7mm spindles



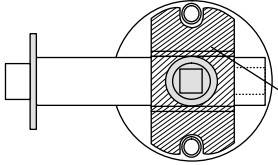
Universal Hub  
8mm on square  
& 7.3mm on diamond



**LT-RS150**

Power pack is recommended when Lever/Lever is applied

Stock No.	Description	Bolt finish
LT595KV8B-__	Privacy Latch 5" (127mm)	Satin brass US4
LT595KV8N-__		Satin nickel US15



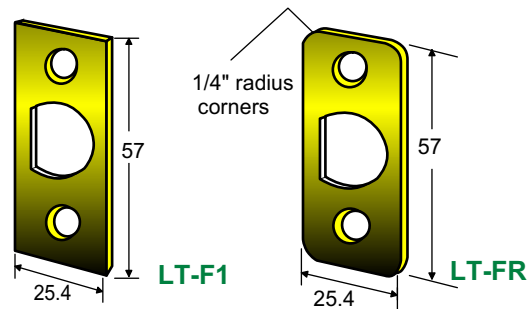
**LT-MA186/MA281**

Stabilizer is recommended

- See Page L02 Code Interpretation Guide for ordering
- For extended T Strikes, Full Lip Strikes and Combo Faceplate/Strikes please refer to pages L12 and L13

1/4" radius corners Faceplate for series 'LT' Tubular latch is optional.  
Finishes available from stock: US10B, 19, 3, 32D

Stock No.	Description
LT-FR	Faceplate, 1/4" radius corner



# Models LT673/676 Heavy Duty Passage Latch - for minimum face bore

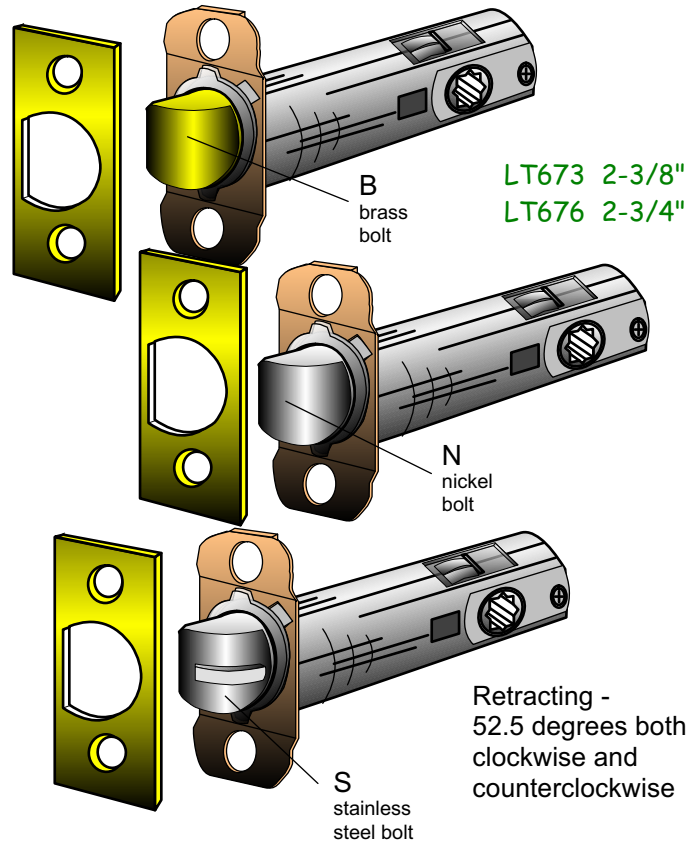
Models LT673/676 Passage latches have a shorter die cast alloy housing. Non-handed, features an adjustable Armor Front that accommodates both straight and beveled doors. The stainless steel latch bolt is featured with silent strip (S), ensuring a quiet and long lasting smooth operation. The Latch can also be ordered with brass bolt without silent strip, in finishes of satin brass (B) or satin nickel (N).

The Latch is constructed with smaller hub wings, no protruding on hub rotations, requires very minimum facebore hole, as small as for spindle only, applies for the regular and narrow style rosettes and trims.

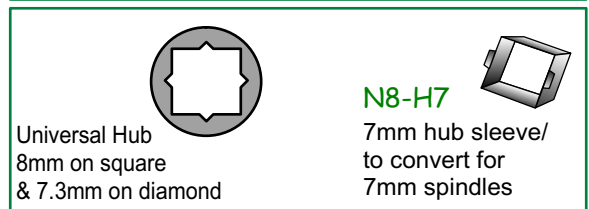
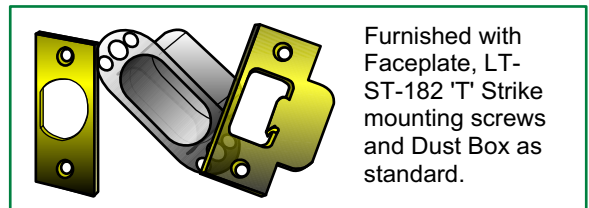
The split-hub construction allows the latch bolt be retracted in both clockwise and counterclockwise rotations on either side. Hub size: 8mm Square + 7.3mm on Diamond. A hub sleeve (NZ-H7) is to order for 7mm-spindle application.

Three hub strengths are supplied: Knob/ Knob(K), Lever/Lever(L) and softer strength for Thumb Piece(T).

Finishes: US10, 10B, 14, 15, 15A, 26, 26D, 3, 32, 32D, 4, 5, & 9

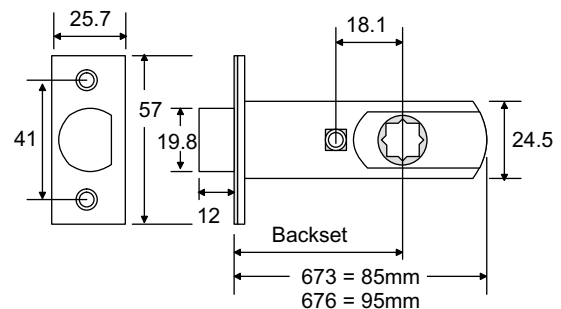


Retracting - 52.5 degrees both clockwise and counterclockwise



Stock No.		Function	Tongue finish
2-3/8" (60mm)	2-3/4" (70mm)		
LT673 KS8 B-__ LT673 LS8 B-__	LT676 KS8 B-__ LT676 LS8 B-__	Passage (K/K) Passage (L/L)	US4 US4
LT673 KS8 N-__ LT673 LS8 N-__	LT676 KS8 N-__ LT676 LS8 N-__	Passage (K/K) Passage (L/L)	US15 US15
LT673 KS8 S-__ LT673 LS8 S-__	LT676 KS8 S-__ LT676 LS8 S-__	Passage (K/K) Passage (L/L)	US32D US32D

- See Page L02 Code Interpretation Guide for ordering  
- For extended T Strikes, Full Lip Strikes and Combo Faceplate/Strikes please refer to pages L12 and L13

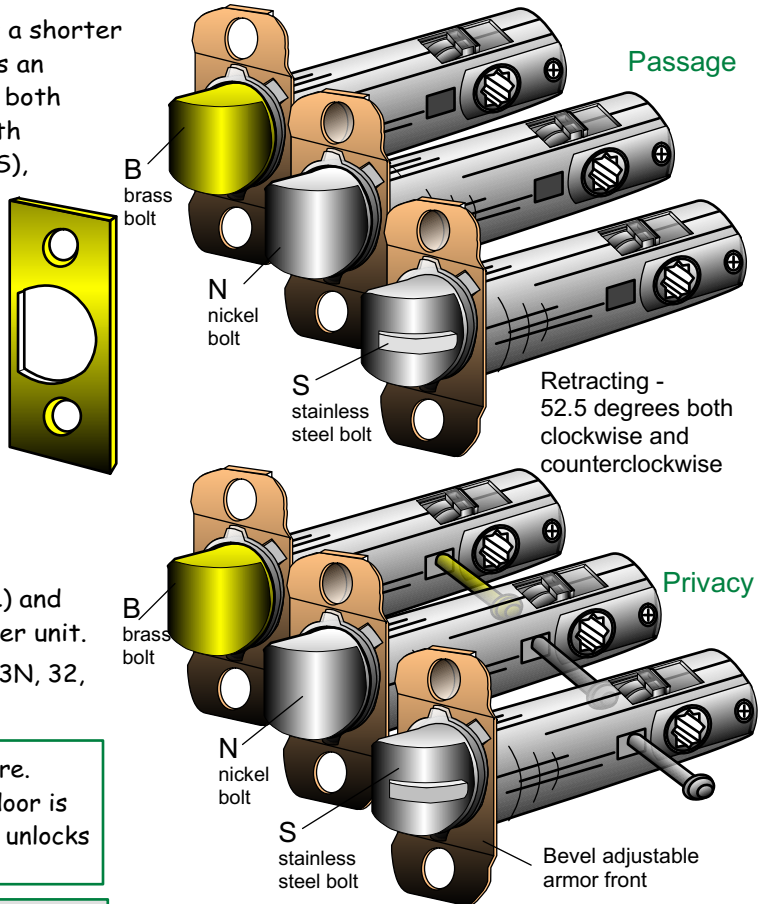


# Models LT683/686 Heavy Duty Tubular Latch - Armor Front adjustable

Models LT683 and LT686 Tubular Latch has a shorter die cast alloy housing. Non-handed, features an adjustable Armor Front that accommodates both straight and beveled doors. Constructed with stainless steel Latch Bolt with Silent Strip(S), ensuring a quiet and long lasting smooth operation. The 2-3/8" Knob Latch(K/K) can also be ordered with brass Bolt without silent strip, in satin brass (B) or satin nickel (N) finish.

Split-hub construction allows the Latch Bolt be retracted in both clockwise and counterclockwise rotations on either side. Hub sizes: 8mm Square + 7.3mm Diamond. A Hub Sleeve(NZ-H7) is to order for 7mm spindle application. Three Hub strengths are supplied: Knob/Knob (K), Lever/Lever (L) and softer strength (T) for Thumb Piece/transfer unit. Finishes: US10, 10B, 14, 15, 15A, 26, 26D, 3, 3N, 32, 32D, 4, 5, & 9

The Privacy function has an anti-lock feature. Depressing the latch bolt by strike when door is closing, or operating the inside Knob/Lever unlocks the latch.

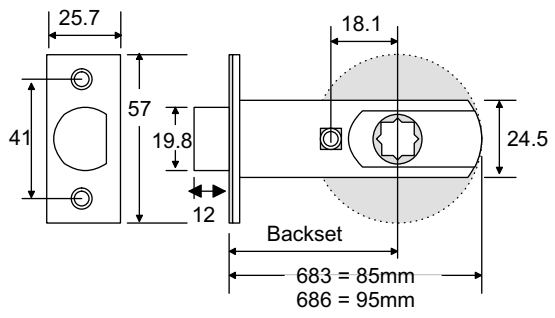


Stock No.		Backset	Hub strength	Bolt finish
Passage	Privacy			
LT683KS8 B-__	LT683KV8 B-__	2-3/8"	K/K	US 4
LT683KS8 N-__	LT683KV8 N-__	2-3/8"	K/K	US 15
LT683KS8 S-__	LT683KV8 S-__	2-3/8"	K/K	US32D
LT683LS8 B-__	LT683LV8 B-__	2-3/8"	L/L	US 4
LT683LS8 N-__	LT683LV8 N-__	2-3/8"	L/L	US 15
LT683LS8 S-__	LT683LV8 S-__	2-3/8"	L/L	US32D
LT683TS8 B-__	LT683TV8 B-__	2-3/8"	T/K	US 4
LT683TS8 N-__	LT683TV8 N-__	2-3/8"	T/K	US 15
LT683TS8 S-__	LT683TV8 S-__	2-3/8"	T/K	US32D
LT686KS8 S-__	LT686KV8 S-__	2-3/4"	K/K	US32D
LT686LS8 S-__	LT686LV8 S-__	2-3/4"	L/L	US32D
LT686TS8 S-__	LT686TV8 S-__	2-3/4"	T/K	US32D
LT68CKS8 _-__	LT68CKV8 _-__	custom	K/K	
LT68CLS8 _-__	LT68CLV8 _-__	custom	L/L	

Furnished with Faceplate, LT-ST-182 'T' Strike mounting screws and Dust Box as standard.

Universal Hub 8mm on square & 7.3mm on diamond

**N8-H7**  
7mm hub sleeve/ to convert for 7mm spindles



- See Page L02 Code Interpretation Guide for ordering  
- For extended T Strikes, Full Lip Strikes and Combo Faceplate/Strikes please refer to pages L12 and L13

L07

**Models LT783 LT786 LT796  
Heavy Duty Tubular Latch**

Baton Series LT780 Heavy duty Tubular Latches are constructed for durability and smooth operation. The forged brass latch bolt is reversible to facilitate all door handing. Available in satin brass (B) and satin nickel (N) finishes.

Latch is supplied with Lever/Lever or Knob/ Knob strengths. The Lever latch is constructed with a superior strong spring and requires only 28 degrees downward rotation to retract the bolt. The Knob latch LT796 is designed to turn clockwise or counterclockwise 52.5 degrees to retract the bolt. The specially designed split hubs are constructed from investment cast alloy steel, and can accommodate both privacy and passage applications. Hub sizes: '8' = 7.3mm Diamond/8.0mm Square

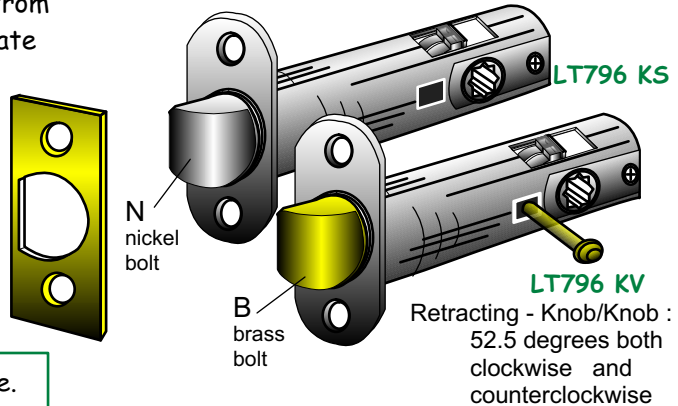
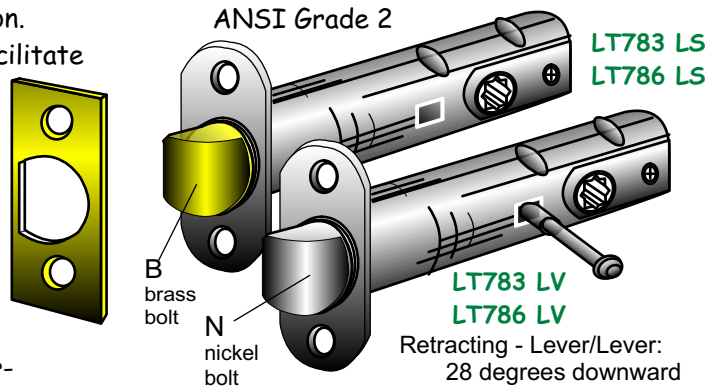
Finishes: US10, 10B, 14, 15, 15A, 19, 26, 26D, 3, 3N, 32, 32D, 4, 5, & 9  
Latch, Faceplate, Strike and accessories can also be ordered separately. Please call Baton's Sales Department for details.

The Privacy function has an anti-lock feature. Depressing the latch bolt by strike when door is closing, or operating the inside Knob/Lever unlocks the latch.

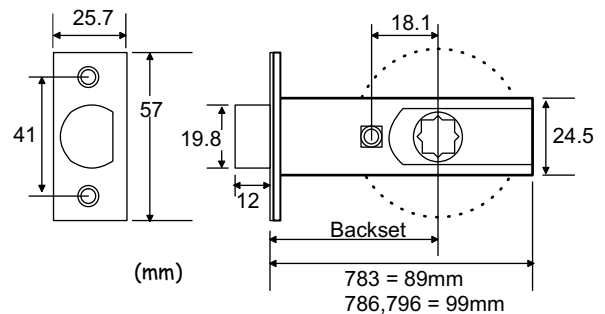
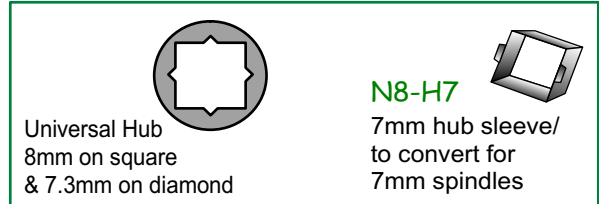
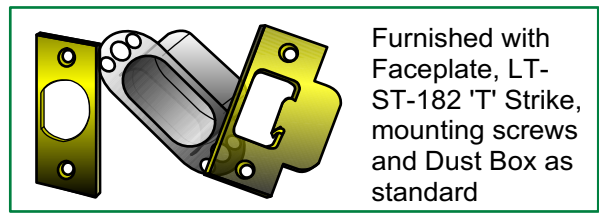
Stock No.		Backset	Function
Knob/Knob	Lever/Lever		
<b>Brass Bolt</b>			
	LT783LS8 B-__	2-3/8"	Passage
	LT783LV8 B-__	2-3/8"	Privacy
LT796KS8 B-__	LT786LS8 B-__	2-3/4"	Passage
LT796KV8 B-__	LT786LV8 B-__	2-3/4"	Privacy
LT796CKV8 B-__	LT786LV8 B-__	2-3/4"	Privacy
	LT786LV8 B-__	custom	Privacy
<b>Nickel Bolt</b>			
	LT783LS8 N-__	2-3/8"	Passage
	LT783LV8 N-__	2-3/8"	Privacy
LT796KS8 N-__	LT786LS8 N-__	2-3/4"	Passage
LT796KV8 N-__	LT786LV8 N-__	2-3/4"	Privacy
LT796CKV8 B-__	LT786LV8 N-__	2-3/4"	Privacy
	LT786LV8 N-__	custom	Privacy

- See Page L02 Code Interpretation Guide for ordering  
- For extended T Strikes, Full Lip Strikes and Combo Faceplate/Strikes please refer to pages L12 and L13

U.S. Patent 5,342,101



**L08**



**Models LT843 LT846 Heavy Duty Passage Latch with through bolting holes**

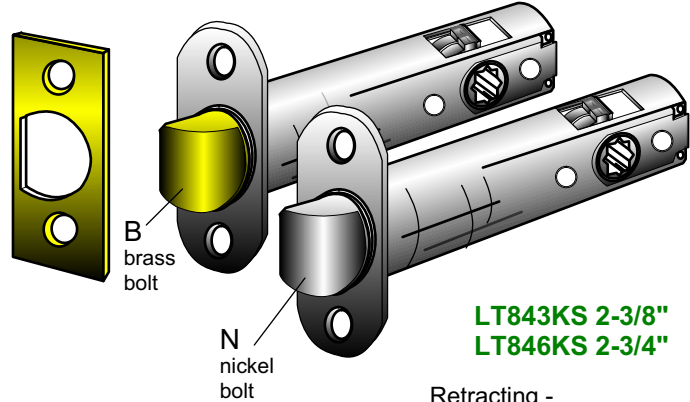
Models LT843, 846 Tubular Latch has a unique design - requiring only 28 degrees, both clockwise and counter-clockwise rotations on either side to retract the Bolt.

The forged solid brass Bolt is reversible to facilitate door handing; supplied with satin brass "B" or satin nickel "N" finishes. Please specify when ordering.

The housing features with a pair of 38mm center to center holes, allowing trim / rosette through bolting mount horizontally. The 28 degree short retracting Latches are assembled with Knob strength only. Power Pack (LT-RS150) or a similar assist spring cage on each side is recommended for Lever application. Passage function only.

Hub size: 8.0mm Square/7.3mm Diamond  
A Hub Sleeve (NZ-H7) is to order for 7mm-Spindle application.

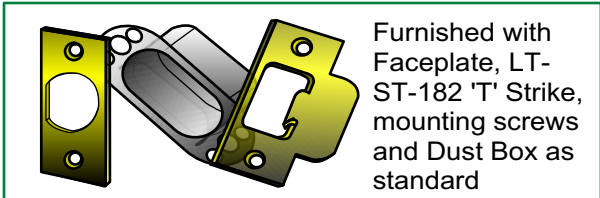
Finishes: US10, 10B, 14, 15, 15A, 26, 26D, 3, 32, 32D, 4, 5, & 9



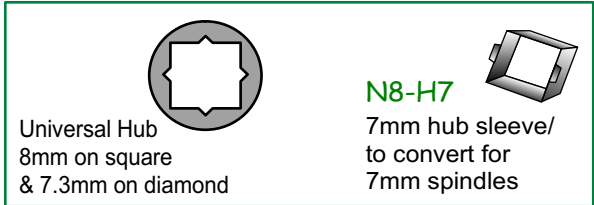
**LT843KS 2-3/8"**  
**LT846KS 2-3/4"**

Retracting -  
28 degrees both  
clockwise and  
counterclockwise

L09

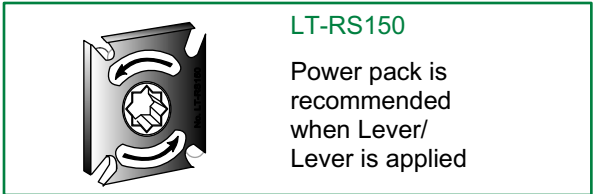


Furnished with Faceplate, LT-ST-182 'T' Strike, mounting screws and Dust Box as standard



Universal Hub  
8mm on square  
& 7.3mm on diamond

**N8-H7**  
7mm hub sleeve/  
to convert for  
7mm spindles



**LT-RS150**

Power pack is recommended when Lever/ Lever is applied

Stock No.	Backset	Function	Retracting
-----------	---------	----------	------------

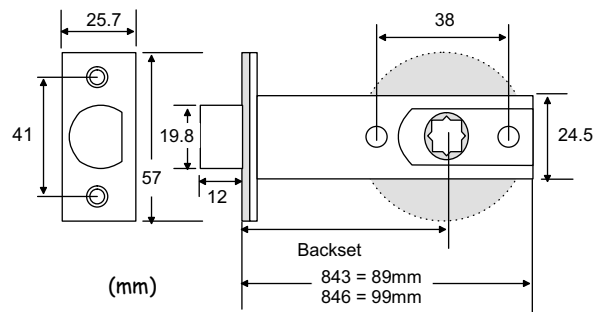
**Brass Bolt -**

LT843KS8B- LT846KS8B- _	2-3/8"(60mm) 2-3/4"(70mm)	Passage (K/K) Passage (K/K)	28° 28°
-------------------------------	------------------------------	--------------------------------	------------

**Nickel Bolt -**

LT843KS8N- LT846KS8N- _	2-3/8"(60mm) 2-3/4"(70mm)	Passage (K/K) Passage (K/K)	28° 28°
-------------------------------	------------------------------	--------------------------------	------------

- See Page L02 Code Interpretation Guide for ordering  
- For extended T Strikes, Full Lip Strikes and Combo Faceplate/Strikes please refer to pages L12 and L13



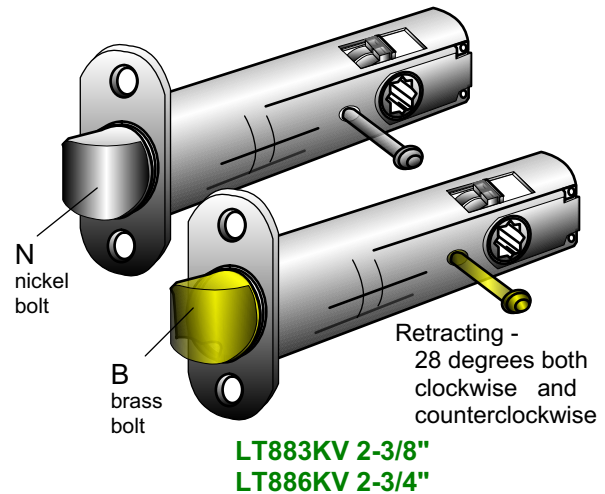
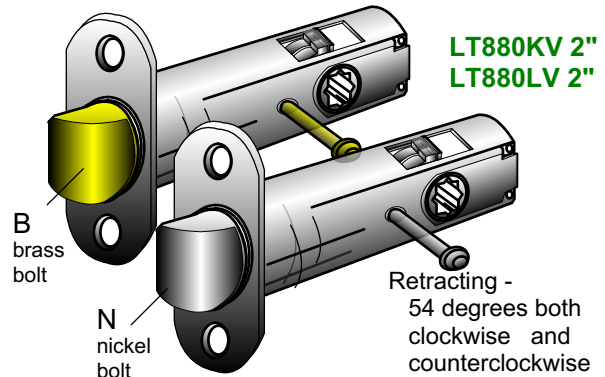


# Series LT880 Heavy Duty Tubular Latch

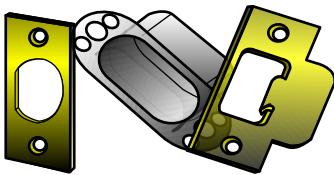
Series LT880 Tubular Latch has a unique design - requiring only 28 degrees for the 2-3/8" and 2-3/4" backsets, 52 degrees for 2" backset; both clockwise and counter-clockwise rotations on either side to retract the bolt. The forged solid brass tongue is reversible to facilitate door handing; supplied with satin brass "B" or satin nickel "N" finishes. Please specify when ordering. The 28 degree short retracting Latches are assembled with Knob strength only. Power Pack (LT-RS150) or a similar assist spring cage on each side is recommended for Lever application. Model LT880 2" is available with Knob or Lever strengths.

Latch is constructed with Privacy function. Eliminating the installation of the Privacy Pin works as a passage latch.

Hub size: 8.0mm Square/7.3mm Diamond  
Finishes: US10, 10B, 14, 15, 15A, 19, 26, 26D, 3, 32D, 4, 5, & 9



The Privacy function has an anti-lock feature. Depressing the latch bolt by strike when door is closing, or operating the inside Knob/Lever unlocks the latch.



Furnished with Faceplate, LT-ST-182 'T' Strike and Dust Box as standard

Universal Hub  
8mm on square  
& 7.3mm on diamond

N8-H7  
7mm hub sleeve/  
to convert for  
7mm spindles

LT-RS150  
Power pack is recommended when Lever/Lever is applied

Stock No.	Backset	Function	Retracting
-----------	---------	----------	------------

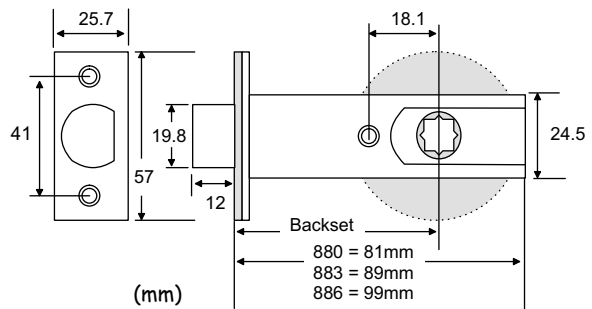
**Brass Bolt -**

LT880KV8B-__	2" (50mm)	Privacy (K/K)	54 °
LT880LV8B-__	2" (50mm)	Privacy (L/L)	54 °
LT883KV8B-__	2-3/8"(60mm)	Privacy (K/K)	28 °
LT886KV8B-__	2-3/4"(70mm)	Privacy (K/K)	28 °

**Nickel Bolt -**

LT880KV8N-__	2" (50mm)	Privacy (K/K)	54 °
LT880LV8N-__	2" (50mm)	Privacy (L/L)	54 °
LT883KV8N-__	2-3/8"(60mm)	Privacy (K/K)	28 °
LT886KV8N-__	2-3/4"(70mm)	Privacy (K/K)	28 °

- See Page L02 Code Interpretation Guide for ordering  
- For extended T Strikes, Full Lip Strikes and Combo Faceplate/Strikes please refer to pages L12 and L13

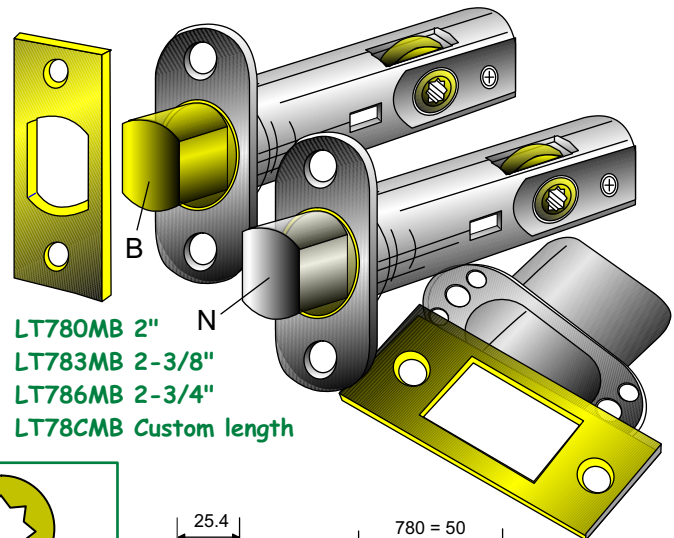


**Series 'LT'**  
**Mortise Bolt & Accessories**

**Mortise bolt**

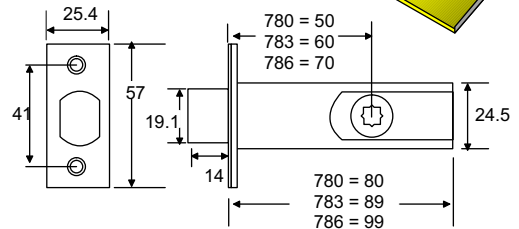
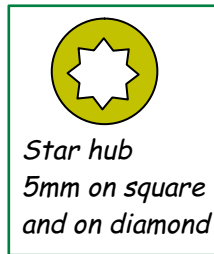
Series LT780 Heavy Duty Mortise Bolts are constructed with a chrome finished metal case. The 9/16" throw solid brass bolt is supplied in satin brass (B) or satin nickel (N) finishes, to match with the finished Faceplate/Strike as follows : US9, 10, 10B, 14, 15, 15A, 19, 26, 26D, 3, 32, 32D, 4, 5 & 9.

Three backsets are available to facilitate door applications; can also be paired with Baton Series LT580, 680, 780 and 880 Passage Latches for elegant and classic mount, using the optional Combo Faceplate/Strike as shown on page L13.



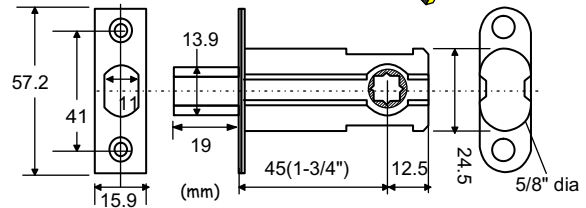
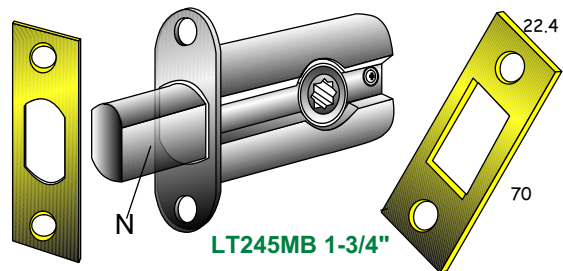
L11

Model LT245 features a 5/8" wide Armor Front and Faceplate, ideal for both thick and thin door applications. Please see page LO1 for details and finishes available from stock.



The star hub constructed on all models, facilitates a wide range of Thumb Turns (TX-TA/TB/TD) that are formed with a 5mm spindle or a breakable flat tail. Furnished with Faceplate, Strike, Dust Box(n/a for LT245MB) and mounting Screws in individual plain box.

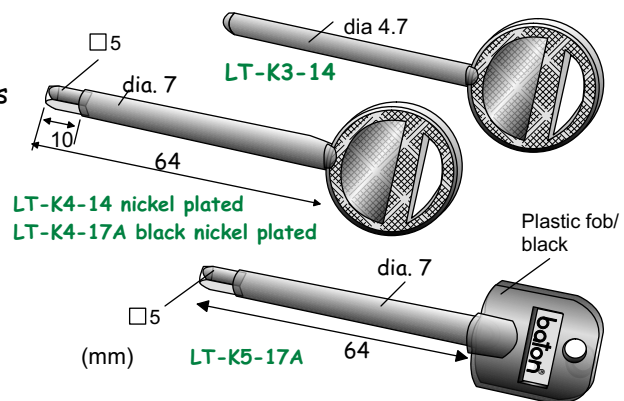
Stock No.	Backset	Bolt Throw	Bolt Finish
LT245MB5 B/N	1-3/4" (45mm)	3/4"	US15
LT780MB5 B/N	2" (51mm)	9/16"	US4, 15
LT783MB5 B/N	2-3/8" (60mm)	9/16"	US4, 15
LT786MB5 B/N	2-3/4" (70mm)	9/16"	US4, 15
LT78CMB5 B/N	Custom length	9/16"	US4, 15



**Turn and Emergency Release Keys**

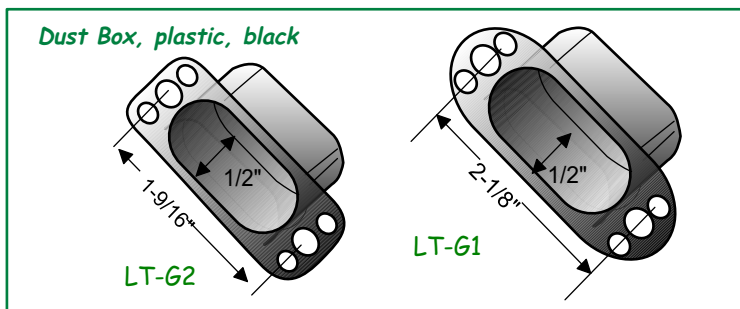
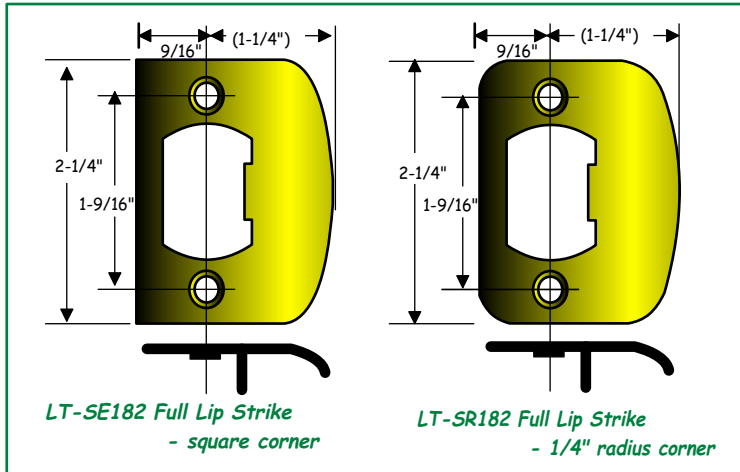
Steel construction. Turn Key is ideal for operating Mortise Bolt or Lock that is formed with a turning hub that works with a 5mm spindle. Emergency Release Key has a 3/16" x 2.5" long shank, allows to depress the privacy block on 'LT' Privacy Latches through the release pin hole to unlock the door.

Stock No.	Description
LT-K3-14	Emergency Release key
LT-K4-14	Turn Key, nickel plated
LT-K4-17A	Turn Key, black nickel plated
LT-K5-17A	Turn Key, black nickel plate with plastic/black fob

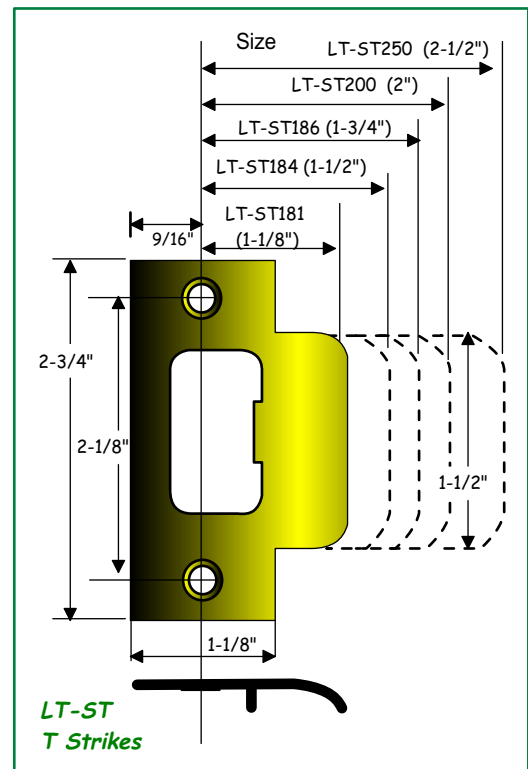
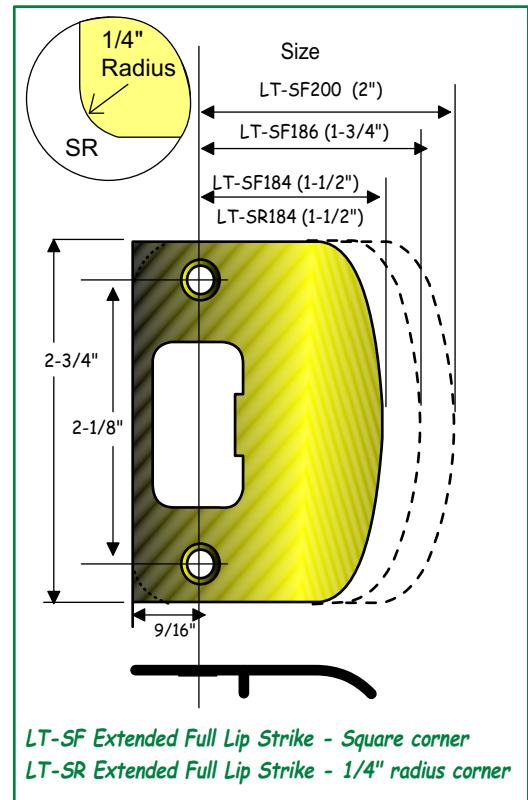


# Series LT 'Full Lip' , 'T' Strikes & Dust Box for Tubular Latch

Baton's series LT 'T' and 'Full Lip' Strikes are made of 1.2mm thick brass, bronze or stainless steel. Packed individually in polybag w/2 screws.



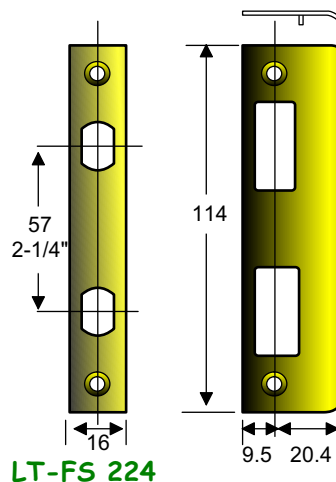
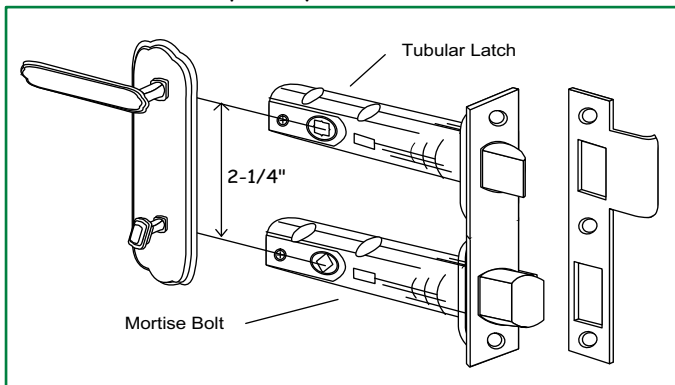
Stock No	Description/size	Finishes / stock	Dust box to use
LT-SE182	Full Lip Strike 1-1/4"	US 9,10,10B,14,15,15A 19, 26D,32,32D,3R,4,5	LT-G2
LT-SF184 LT-SF186 LT-SF200	Full Lip Strike 1-1/2" " 1-3/4" " 2"	US 10B, 15, 15A, 19, 26, 3, 3N, 32, 32D, 5	LT-G1
LT-SR182	Full Lip Strike 1-3/16"	US 10B, 19, 32D	LT-G2
LT-SR184	Full Lip Strike 1-1/2"	US 10B, 15A, 3, 32D	LT-G1
LT-ST181	T Strike, 1-1/8"	US 19, 26, 26D	LT-G1
LT-ST182	T Strike, 1-1/4"	US 10,10B,14,15,15A,19 26, 3, 32, 32D, 3N, 4, 5,	LT-G1
LT-ST184 LT-ST186 LT-ST200 LT-ST284	T Strike 1-1/2" " 1-3/4" " 2" " 2-1/2"	US 10B, 14, 15A, 19, 26, 3, 32, 32D, 5	LT-G1



# Combo Faceplate & Strike for 'LT' T Latch + Mortise Bolt

## Combo Faceplate/Strike Package

Baton Combo Faceplate/Strike packages are specially designed for for the combination mount of a Baton Tubular Latch and a Mortise Bolt as a set. The 2-1/4" center to center distance allows the Tubular Passage Latch and Mortise Bolt to be installed together and works as a classic privacy lock.

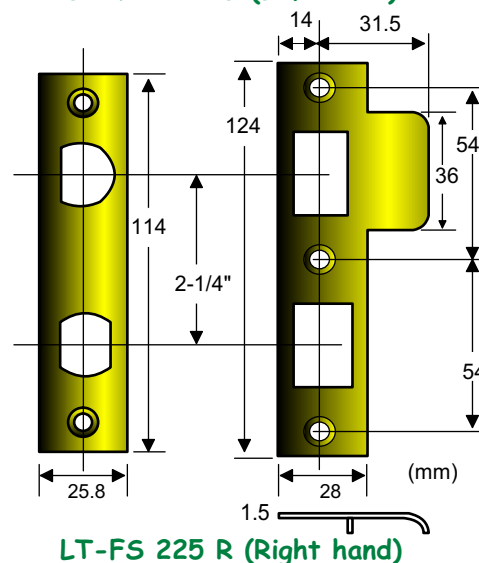
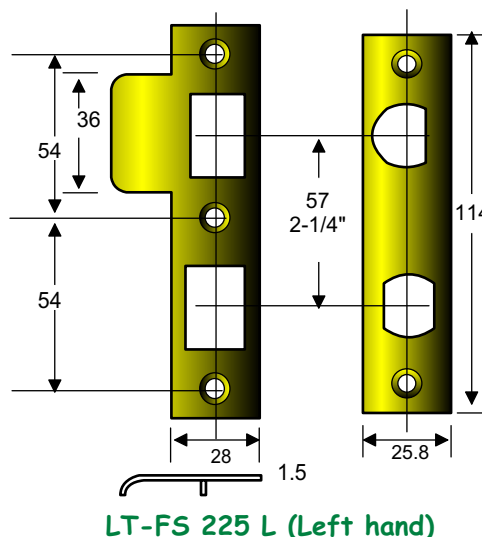
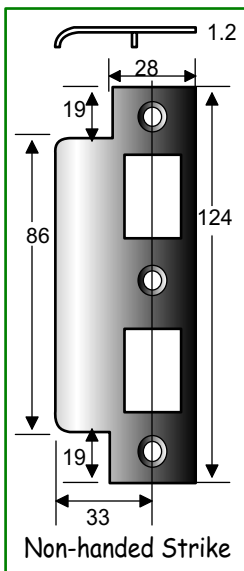


L13

Two models are available from stock:  
Model LT-FS224 has very narrow Faceplate and is designed to use for the LT245 1-3/4" backset Mortise Bolt and Passage Latch. Non-handed. Finishes: US10B, 3, 32D & 4

Model LT-FS225 is designed to use for the series 'LT' Tubular Passage Latches and Mortise Bolts in backsets of 2", 2-3/8" and or 2-3/4". Please specify Left-hand or right-hand when ordering.

Finishes: US10B, 15, 15A, 26, 3 & 4



### Matching reference:

Backset	Mortise Bolt	Passage Latch	Combo to use
1-3/4"	LT245MB	LT245 KS	LT-FS 224
2"	LT780MB	LT680	LT-FS 225
2-3/8"	LT783MB	LT583/683/783/883	LT-FS 225
2-3/4"	LT786MB	LT586/686/786/886	LT-FS 225

Stock No.	Size	Description
LT -FS224	13/16"	Combo Faceplate/Strike,
LT -FS225 L	1-1/4"	Combo Faceplate/Strike, Left hand
LT -FS225 R	1-1/4"	Combo Faceplate/Strike, Right hand

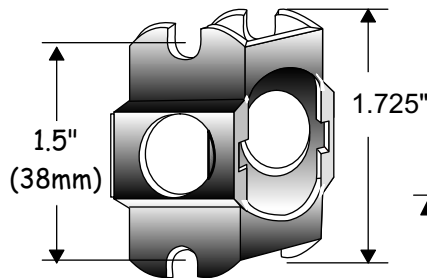
**Models LT-MA186/281 Stabilizer & LT-RS150 Power Pack**

**Stabilizer**

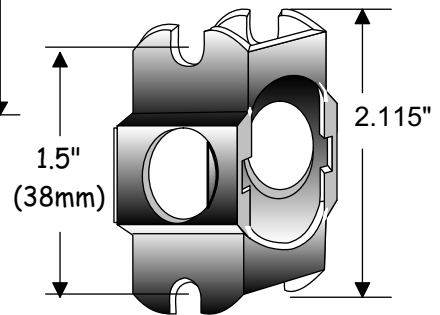
Series LT-MA Nylon Stabilizer has a 0.983" in diameter with 0.75" 2-flat center hole, fits Baton series LT580, LT590, LT680, LT780 and LT880 Tubular Latch; or can be used with the LT-RA Rosette Adapter to hold the bolting post of the rosette in place.

- Two sizes are available from stock:
- LT-MA186 - to be used for 1-3/4" or larger face bore on door.
- LT-MA281 - to be used for 2-1/8" face bore on door.

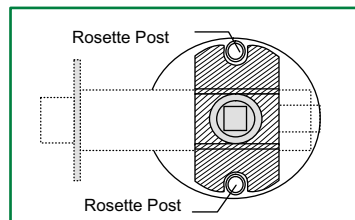
Stock No.	Description
LT-MA 186	Stabilizer 1-3/4" (f/1-3/4" face bore)
LT-MA 281	Stabilizer 2-1/8" (f/2-1/8" face bore)



LT-MA186



LT-MA281

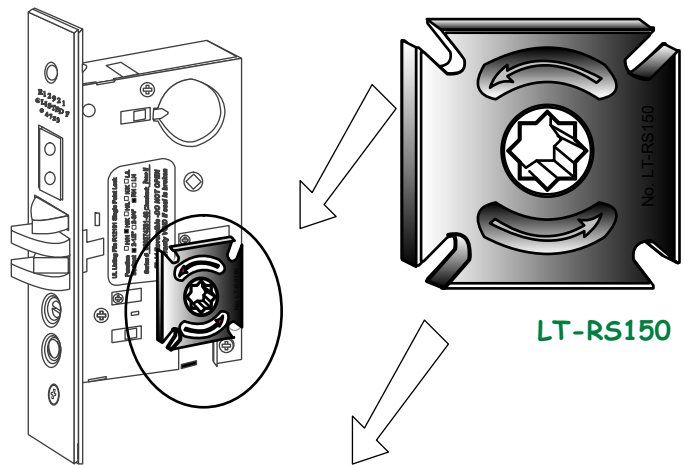


L14

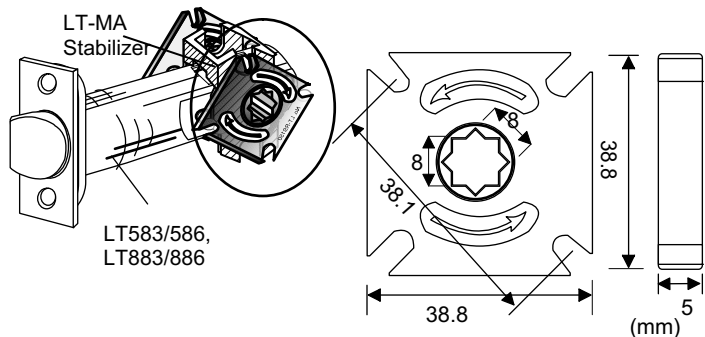
**Power pack**

Die cast zinc alloy case, and hub sealed with metal cover for long lasting operation. The universal 8mm star hub plus the 4 slots on case corners make this Power pack ideal for use on horizontal, vertical or diagonal mounts.

The Power Pack is designed for use with the Lever action in both Mortise Lock and Tubular Latch applications. Ideal for use with those extra-heavy levers. Rotation angle : 45 degree maximum.



LT-RS150



Stock No	Description	Max turning
LT-RS150	Power Pack	45 degrees one way

LT583/586, LT883/886

## Models LT-RA281C & RA281D Rosette Adapter

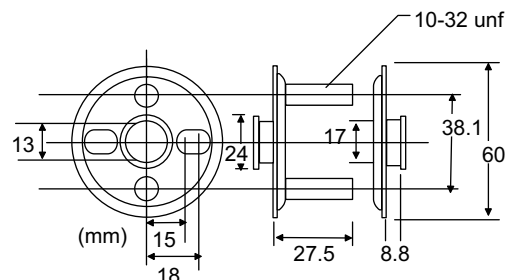
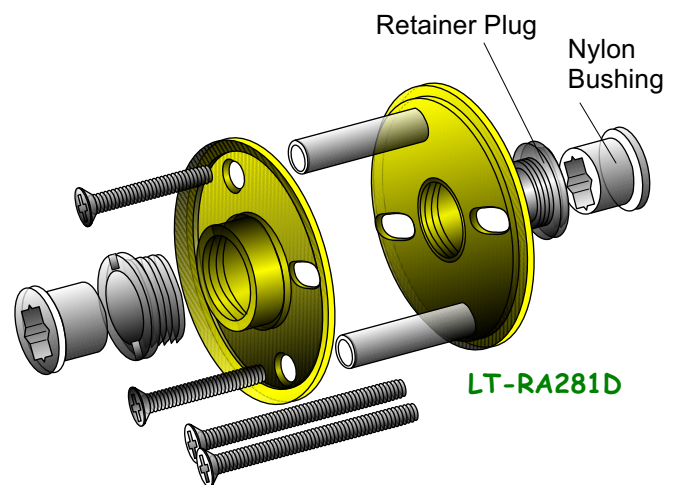
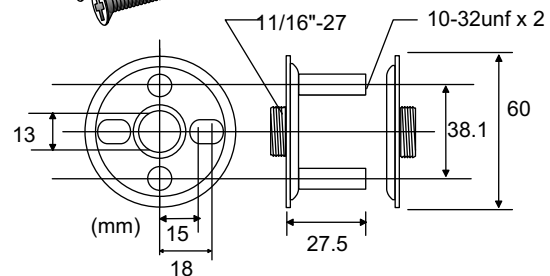
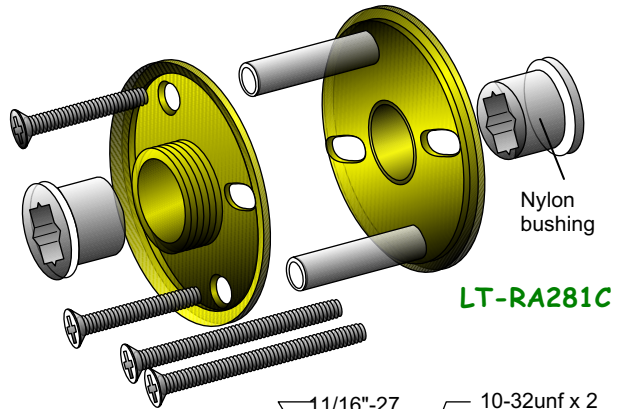
Series LT-RA281 Rosette Adapter is made of selected brass. The 1-1/2" center to center threaded post works with Baton series LT580, LT590, LT680, LT780 and LT880 Tubular Latch; with or without the using a stabilizer (LT-MA186/MA281). The Rosette adapter also works with Baton series A, series D and series E and F Mortise Lock cases; or any others applications that require or form to accept a pair of Screw Post with 38.1mm (1-1/2") center to center.

The 2-5/16" in diameter Adapter is designed to retrofit the 2-1/8" pre-bored door. Furnished with a pair of nylon Bushing, accepts a 7.3mm or 8mm Spindle for smooth and long life operation.

Model LT-RA281C is constructed with an exterior threaded center stud (11/16"-27), and accepts a Rosette that has the same threading on the center hole for the Lever/ Knob.

Model LT-RA281D has an interior threaded center stud. The Rosette is held in place with the Retainer Plug that is furnished. No tapping on the Rosette is required.

Furnished with one pair each of 1-1/8" and 1-7/8" long Bolting screws are furnished as standard. Extension Coupler (D400-ZC, as shown on Page D05) can be applied for thicker door applications.



Stock No.	Description
LT-RA 281C	Rosette Adapter, the original, 2-1/8"
LT-RA 281D	Rosette Adapter, plug type, 2-1/8"

Remark: Dummy function for LT-RA281 are available to order. Please call.

**Series LT-RT281  
Thumb Piece & Transfer Unit**

**Transfer Unit**

Baton series LT-RT Transfer Unit for Grip Handle are made of cast alloy and constructed with a spring-action powder steel working gear and hub swivel to ensure the smooth, durable and long life operation.

One pair each of the Threaded Posts and Blocking Studs constructed allows the Transfer Unit be installed with an optional nylon Stabilizer (LT-MA186/MA281) to stabilize the latch installation and the operation engaged by the Thumb Piece. Maxi. turning: 65 degrees, counterclockwise

To facilitate the design of your Grip handle, the 8mm metal Gear Hub can be set on the square or 22.5 degrees offset to the right. Please specify when ordering.

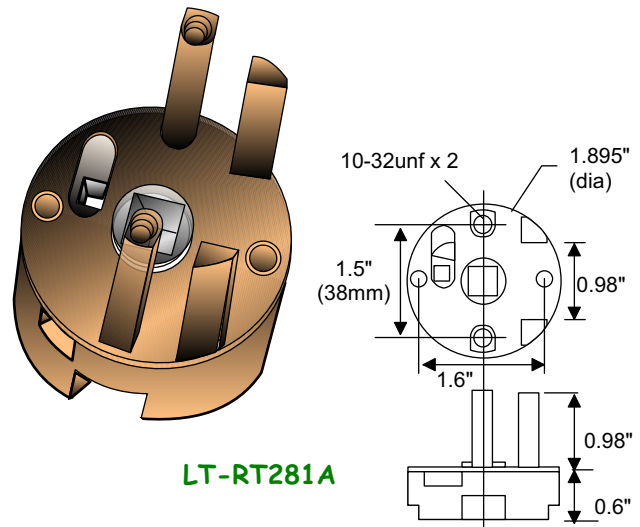
Recommend matching Tubular Latches:  
Baton LT583KS, LT586KS, LT595KS,  
Baton LT683TS, LT686TS,  
Baton LT880KS, LT883KS, LT886KS

Stock No.	Description	Retracting
LT-RT281A	Transfer Unit, hub on square	65 degree
LT-RT281B	Transfer Unit, hub offset	42.5 degree

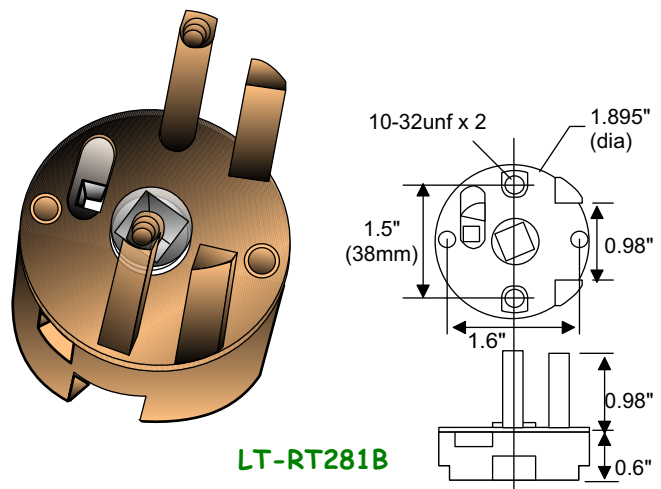
**Thumb Piece**

The forged brass/unfinished Thumb pieces are designed to engage the Transfer Unit. Two models are available to order

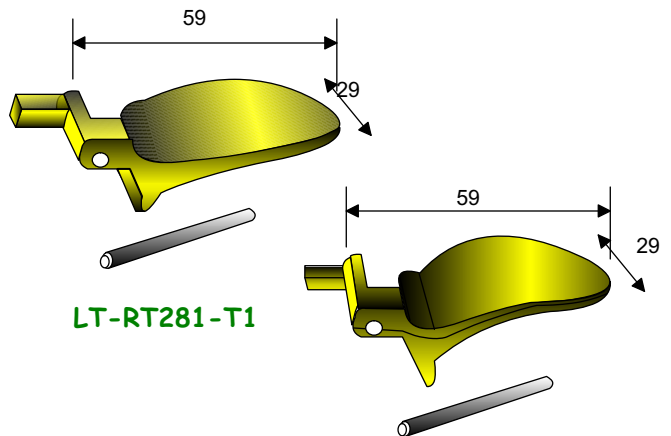
Stock No.	Description
LT-RT281-T1	Thumb Piece, moden
LT-RT281-T2	Thumb Piece, classic



**LT-RT281A**



**LT-RT281B**



**LT-RT281-T1**

**LT-RT281-T2**

# Series 'Q' Store Front locks Lever Handle & Accessories

Baton series 'Q' Store front locks are made of heavy gauge steel and zinc plated for long lasting operation. The lock cases take any standard Mortise Cylinder (1.15" - 32uns) that is formed with an 'AR' cam. Three models are available:

**Model Q1131/1136 Swing Bolt**

Two concealed hardened steel rollers are installed inside the laminated swing bolt to add resistance against sawing or cutting through the bolt.

**Model Q1231/1236 Hock Bolt**

One concealed hardened steel roller is installed inside the laminated hock bolt to add resistance against sawing or cutting through the bolt.

**Model Q1331/1336 Latch Bolt**

The spring loaded latch bolt is featured with a nylon insert to ensure smooth and quiet operation. Auxiliary latch deadlocking the latch bolt. Specify right hand or left hand when ordering.

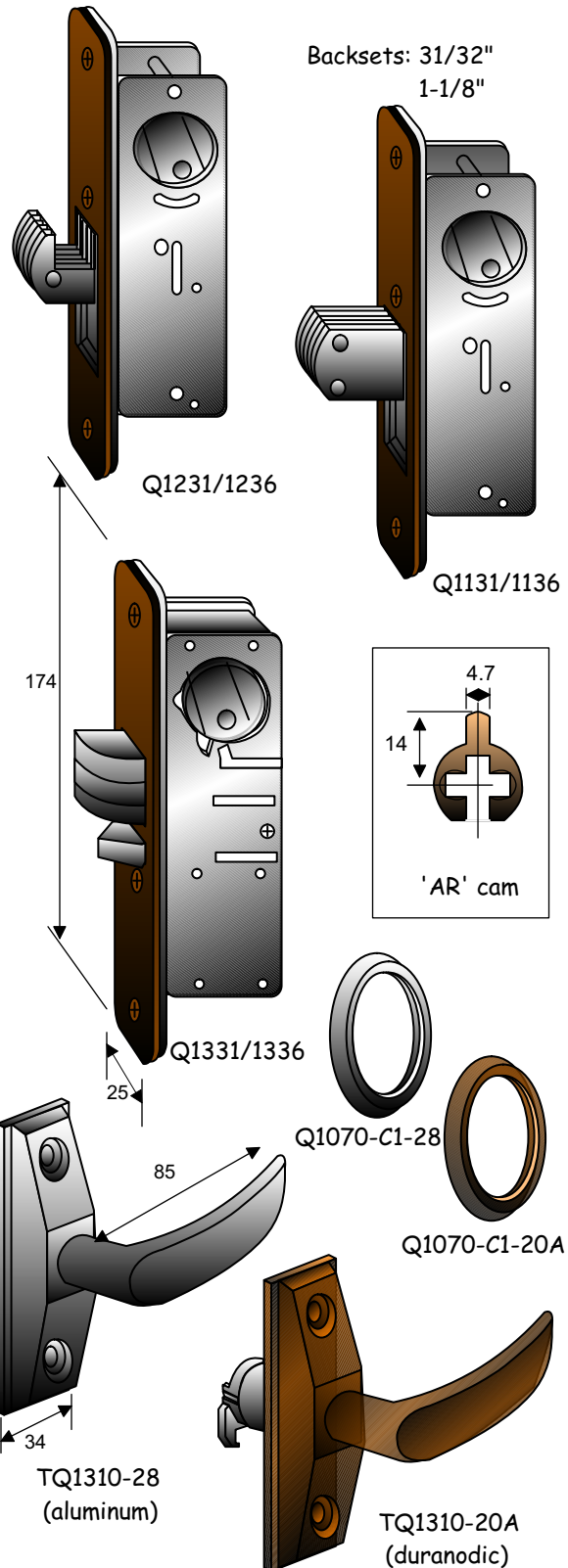
Furnished with Aluminum Faceplate and Screws. Available in Aluminum(28) or Duranodic(20A).

The Lever Handle TQ1310 is designed to operate the models Q1331/1336 Latch Bolt. Specify right hand or left hand when ordering. Driving mechanism included. Finishes: Aluminum(28) or Duranodic(20A)

Stock Nos.		Description	Finish
31/32"	1-1/8"		
Q1131	Q1136	Swing bolt	20A, 28
Q1231	Q1236	Hock bolt	
Q1331	Q1336	Latch bolt	
TQ1310		Lever Handle	

Cylinder Ring/Spacer is made of aluminum and available to order from stock. 1/8" projection. Aluminum or duranodic, please specify.

Stock Nos.	Description
Q1070-C1-28	Cylinder Ring, aluminum
Q1070-C1-20A	Cylinder Ring, duranodic



**Q01**

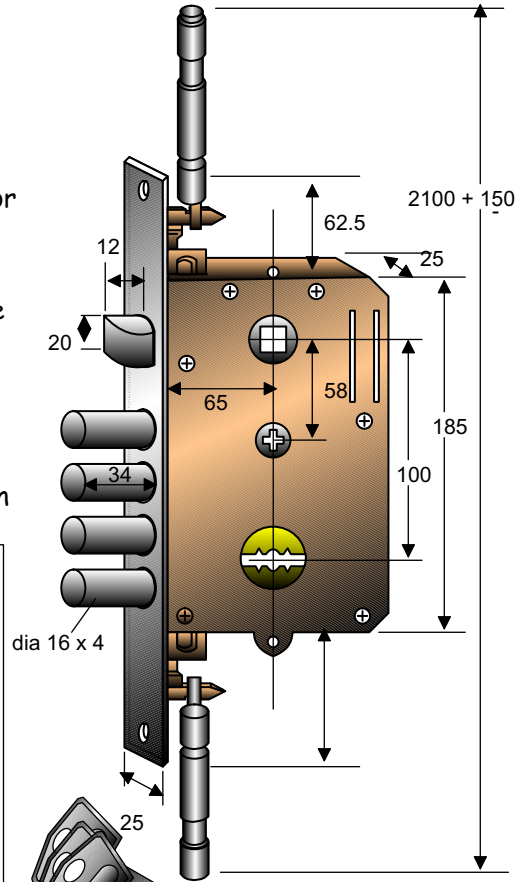
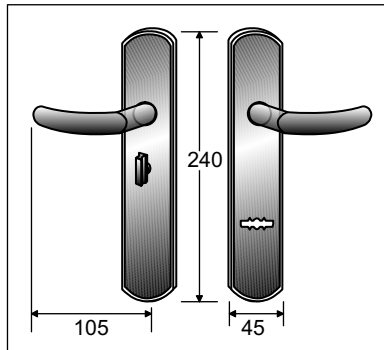


**Multi-Point Entrance Lock Case**

Series Q5650 Heavy duty Mortise Lock case is built with quality metal working parts, ensuring long lasting and trouble free operation. Constructed with four carbon steel locking bolts (each with 1-5/16" throw of 5/8" diameter). The interior locking mechanism is comprised of a precision 5-lever system that requires 4 turns of the operating key to unlock from outside. Latch by Lever either side except the deadbolts are thrown by thumb turn inside or key outside. Inside Lever retracts latch & deadbolts simultaneously.

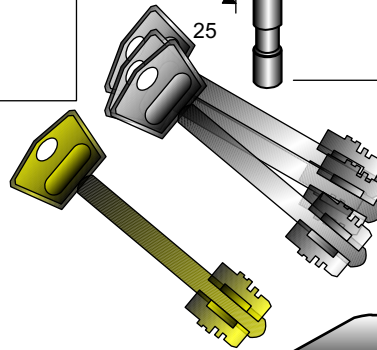
Two models 3 points locking or 5 points locking are available to order. Supplied with 3 operation keys plus one construction key as standard. Furnished with Lever trim, Strike and mounting accessories. These two models provide state-of-the-art quality for optimal security needs.

Finish: US32D



**Q02**

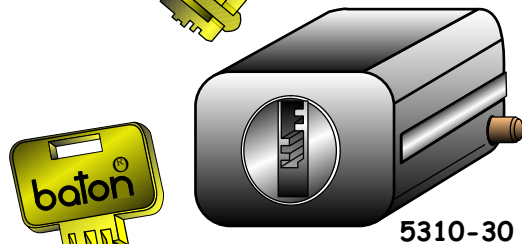
Stock No.	Description
Q5653LL-32D	Mortise Lock Set, 3-point locking
Q5655LL-32D	Mortise Lock Set, 5-point locking



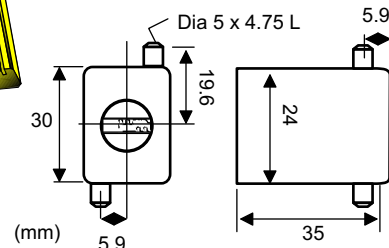
**Q5653/5655**

**Lock Block for Safe**

Chrome plated Lockblock is made of solid alloy; constructed with two steel locking bolts and anti-picking brass pin tumblers precision. The 11 brass pin tumblers are built in two interlocking rolls, presents tens of millions of different key combinations. The unique user friendly dimple style nickel silver key is reversible. Key Differently (KD) or Master Keying (MKD) are available from stock. One key per lock as standard.



**5310-30**



Stock No.	Description
5310DA30F7	Lock Block, KD w/1 key
5310MA30F7	Lock Block, MKD w/1 key

Baton series 'T' Trim, Lever, Knob and Thumb Turn sets as shown on the following pages can be purchased separately to match with the locking mechanisms mentioned on the previous pages. Series or model numbers for specific trims contain complete information.

The first two digits specify the "Series".

"TA" means Trim set that can be used with series "A" Mortise lock cases

"TE" means Trim set that can be used with series "E" Mortise lock cases

"TF" means Trim set for using with series "F" Mortise lock cases

"TL" means Lever set for using with series "D" Mortise lock cases or series "LT"  
Tubular Latches

"TX" means Trim, Knob, Lever or Thumb Turn sets that can possibly be used for all or more than two locking mechanisms mentioned above.

T01

For example:

If a trim set is to match with the Mortise lock case A632HK, you may order the HK (Grip Handle outside/Knob inside) style trim set against the models TA30HK, TA40HK, TA60HK, TA70HK and TA80HK as shown on pages T03 to T10. The "TA" series trim sets are compatible with "A" series Mortise Locks only.

If the mortise lock case features a LL (Lever/Lever) construction, you may choose any model of the LL escutcheons as shown on pages T19 to T20; or, any style of the "TX-LJ" or "TX-LK" Lever sets as showed on page T21 to T23 with a selection of the Thumb Turn sets as shown on page 83 to install as sectional style trim set.

One can modify levers from the "TL" series by simply removing the rosette spring and cam stop, for use on most of the Mortise lock cases that is featured a LL construction.

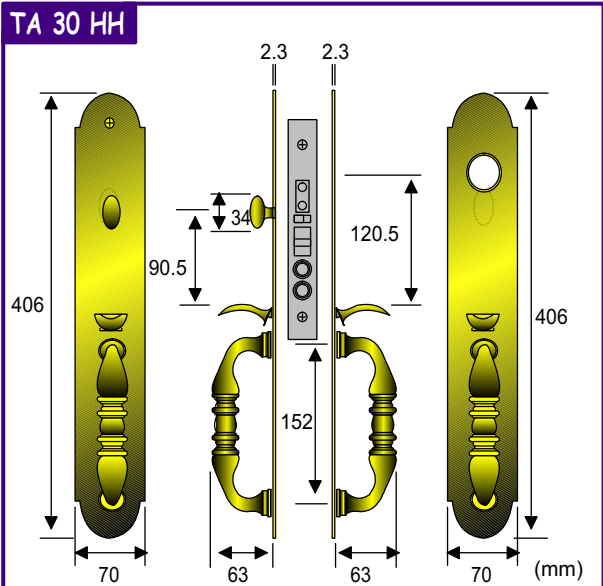
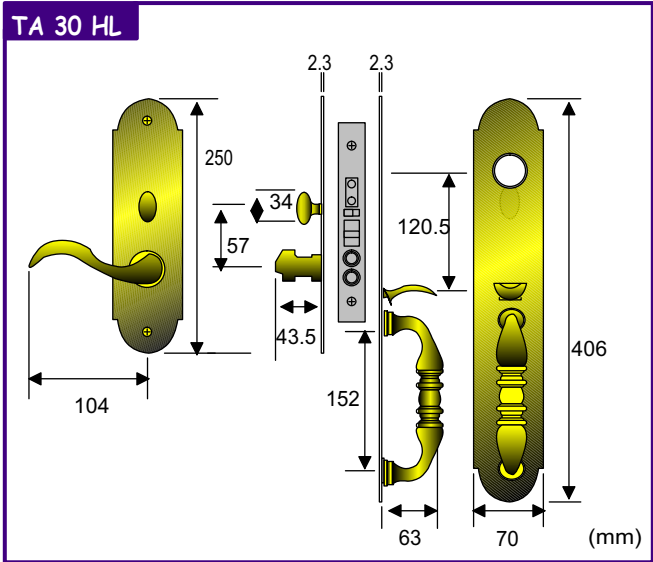
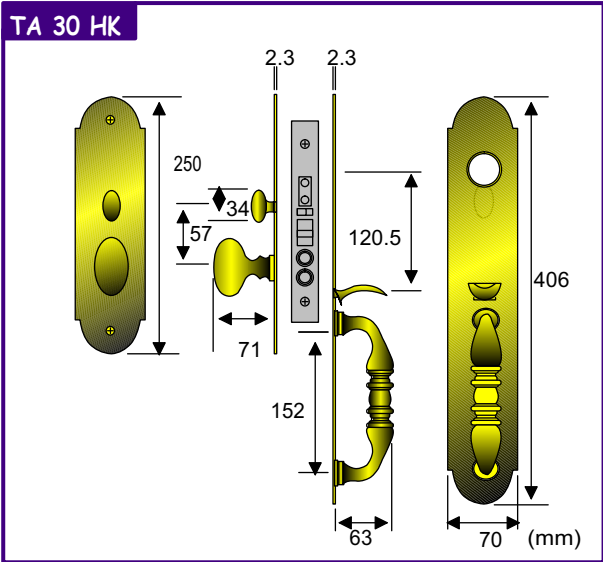
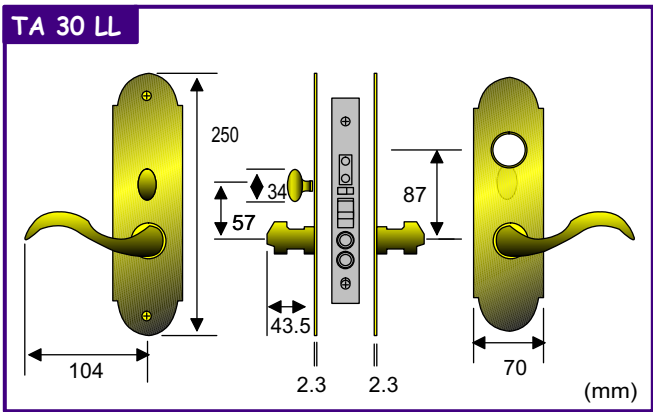
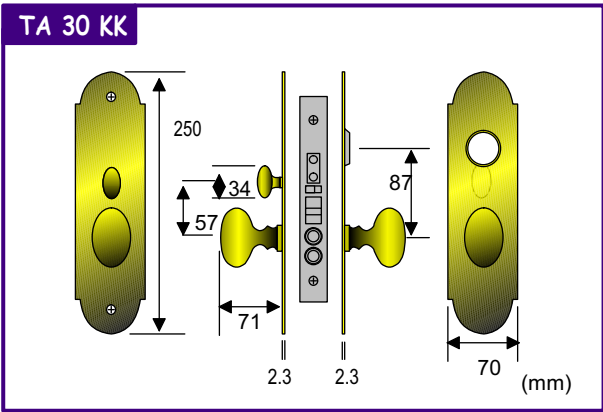
The page following is a quick reference chart that specifies Trim, Lever, Knob and Thumb Turn sets that can normally be ordered to match with Mortise lock cases or Tubular Latch selections. Mix and match in styles and finishes for some items may be available to order. Please call Baton's CSR for details.

# Trim / Lever Sets Ordering Guide - 2 - Reference Chart

<p>Trim Sets available</p> <p>TA30 HH, HK, HL, KK, LL TA40 HH, HK, HL, KK, LL TA60 HH, HK, HL, KK, LL TA70 HH, HK, HL, KK, LL TA80 HK TA91LL, TA95LL, TA96 LL</p>		<p>Lock style to match</p> <p>1) Series A Mortise Lock cases A500, A600, A700, A900</p>
<p>Trim Sets</p> <p>TE-G__, TE-H__ TE-U__, TE-V__, TE-X__</p>		<p>Lock style to match</p> <p>1) Euro Mortise Lock cases E600, E700, E900 Narrow backset E300</p>
<p>Trim Sets</p> <p>TF-B__, TF-D__, TF-E__ TF-G__, TF-H__</p>		<p>Lock style to match</p> <p>1) F400LL EN certified F Mortise Lock 2) F518LL Auto Lock</p>
<p>Lever Sets</p> <p>TL-C__, TL-M__, TL-N__</p>		<p>Latch &amp; Lock style to match</p> <p>1) Tubular Latch LT200, LT300, LT580, LT595, LT670, LT680, LT780, LT840, LT880 LS/LV 2) Mortise Lock 'A', 'D', 'E', 'F', 'G', 'K' with optional 'TX' T Turn</p>
<p>Knob &amp; Lever Sets</p> <p>TX-KC__ TX-LJ__ TX-LK__</p>		<p>Latch &amp; Lock style to match</p> <p>1) Tubular Latch LT200, LT300, LT580, LT595, LT670, LT680, LT780, LT840, LT880 KS/KV/ LS/LV 2) Mortise Lock 'A', 'D', 'E', 'F', 'G', 'K' with optional 'TX' T Turn</p>
<p>Thumb Turn Sets</p> <p>TX-TA__ TX-TB__ TX-TD__</p>		<p>Mortise Bolt &amp; Lock style to match</p> <p>1) Mortise Bolt LT245MB, LT780MB 2) Interior Mortise Lock 'D' 3) Mortise Lock 'A', 'E', 'F' 4) Mortise Deadlock A775</p>

T02

**Series 'TA30' Trim Set for Series 'A' Mortise Door Lock Case**



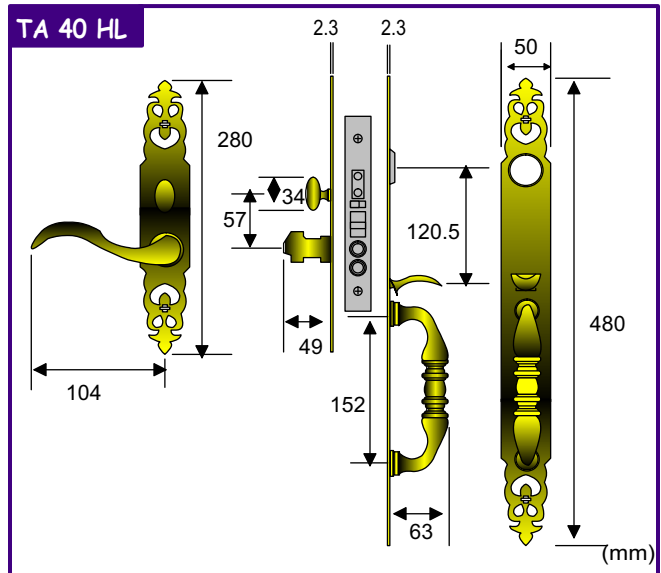
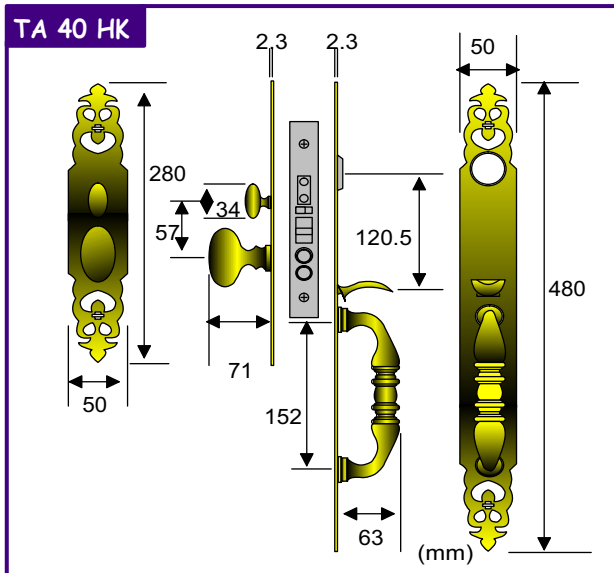
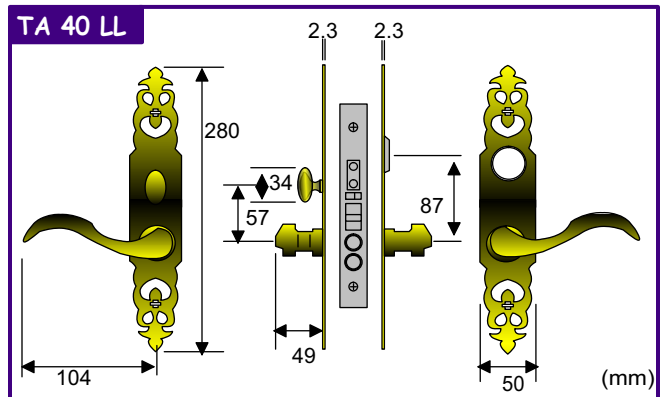
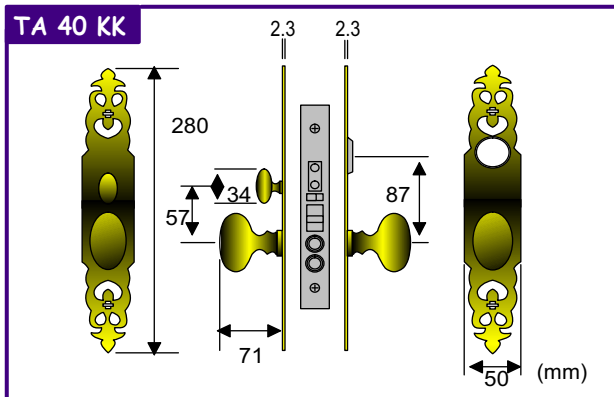
T03

Material: Escutcheon - Brass  
Lever/thumb piece - Forged Brass.  
Hub size: 8mm Square

Finishes available:  
US 10B, 15, 15A, 19, 26, 26D,  
3, 5 and PVD.

Remark : Mortise Lock Case and Cylinder are excluded. Please refer to catalogue pages A01 to A21 for various lock functions, Strike and the proper length of cylinder.

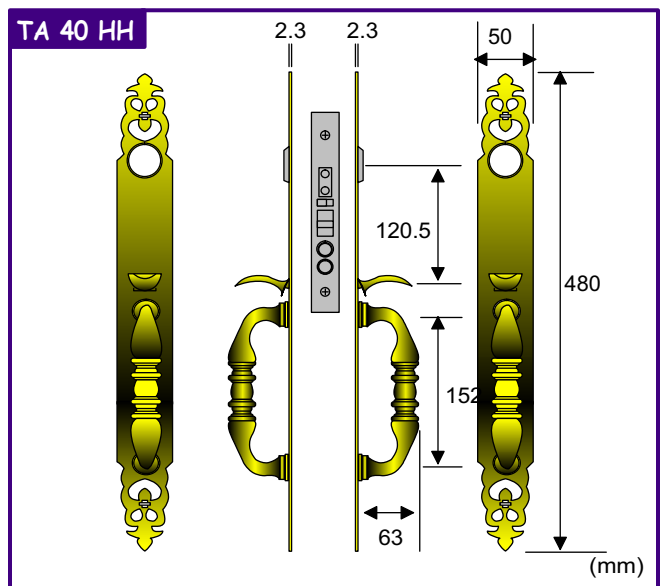
Series 'TA40' Trim Set for Series 'A' Mortise Door Lock Case



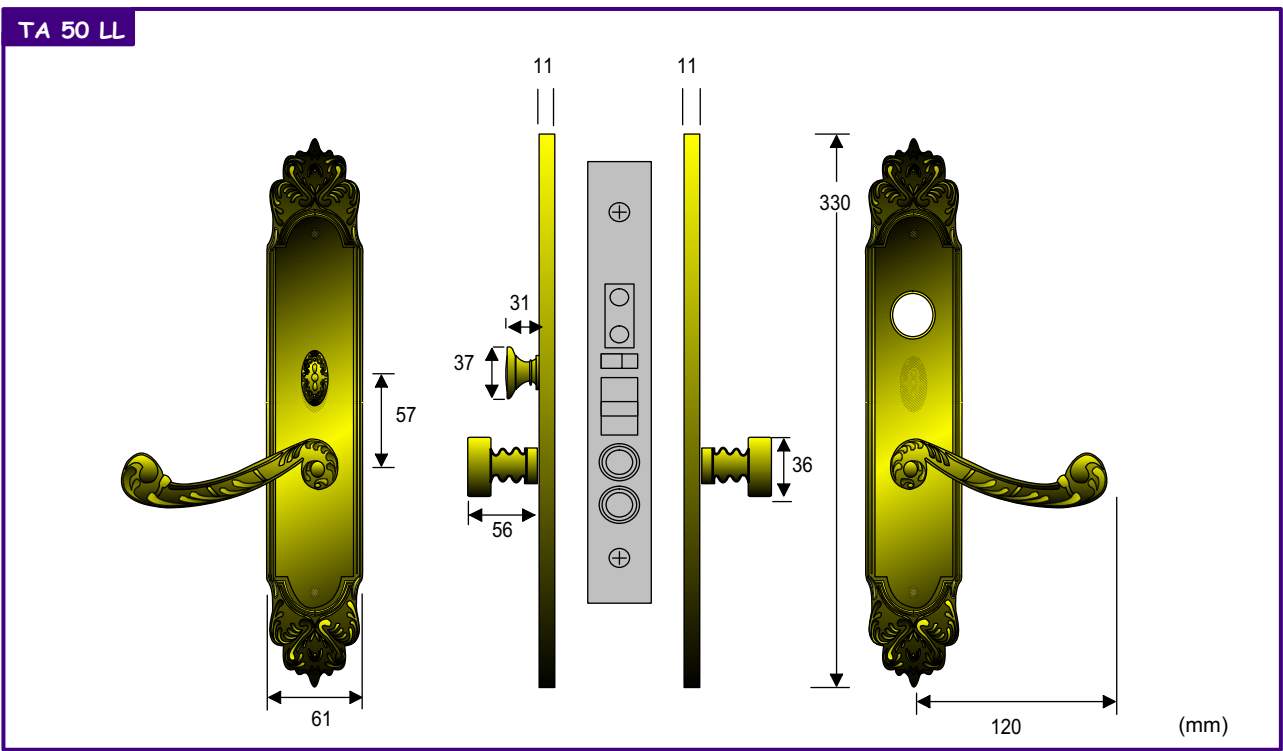
T04

Material: Escutcheon - Brass  
Lever/thumb piece - Forged Brass.  
Hub size: 8mm Square  
Finishes available:  
US 10B, 15, 15A, 19, 26, 26D,  
3, 5 and PVD.

Remark : Mortise Lock Case and Cylinder are excluded. Please refer to catalogue pages A01 to A21 for various lock functions, Strike and the proper length of cylinder.



Series 'TA50' Trim Set for Series 'A' Mortise Door Lock Case

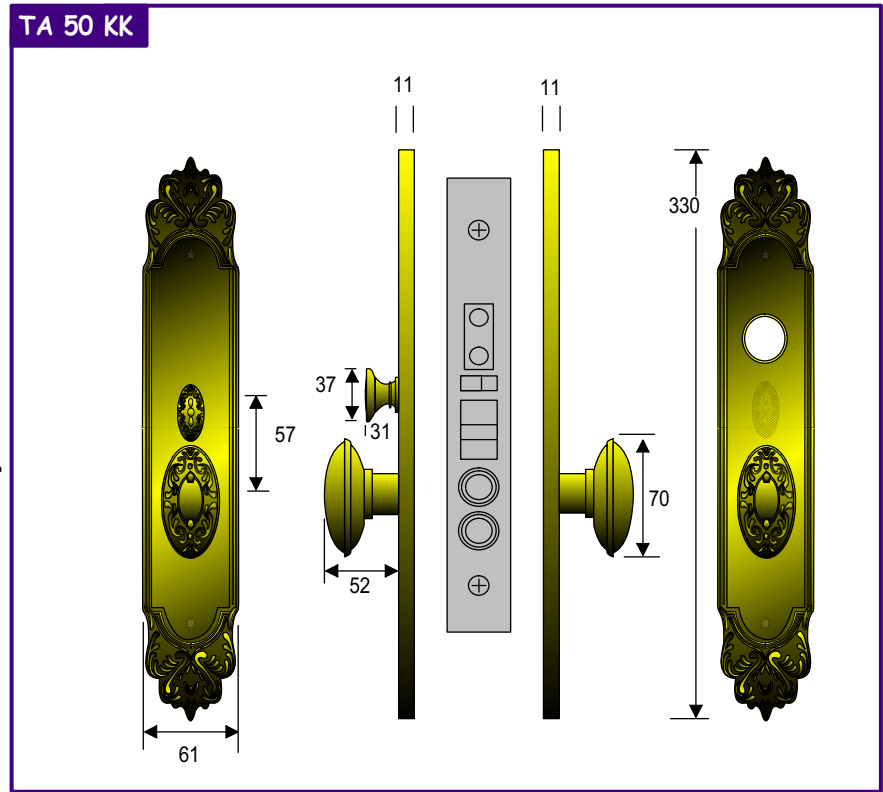


T05

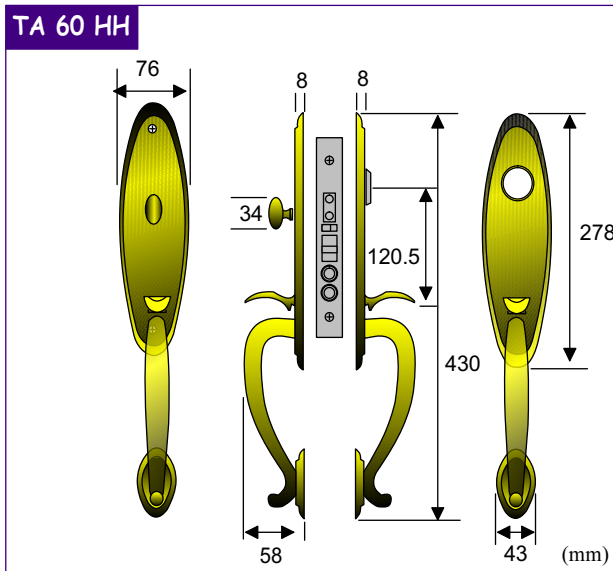
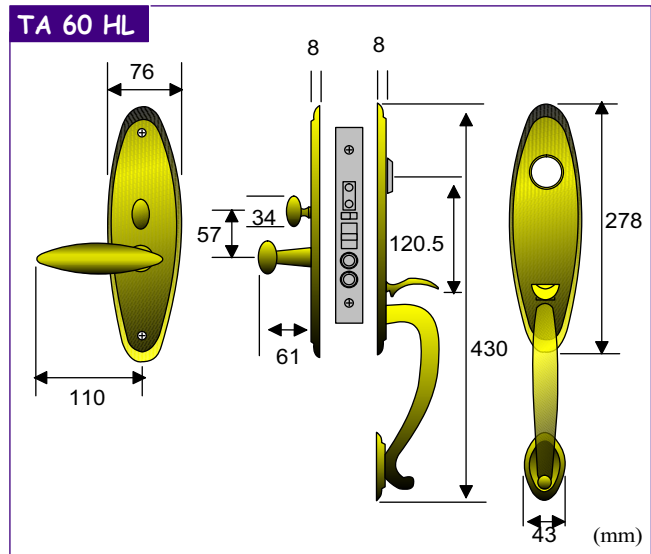
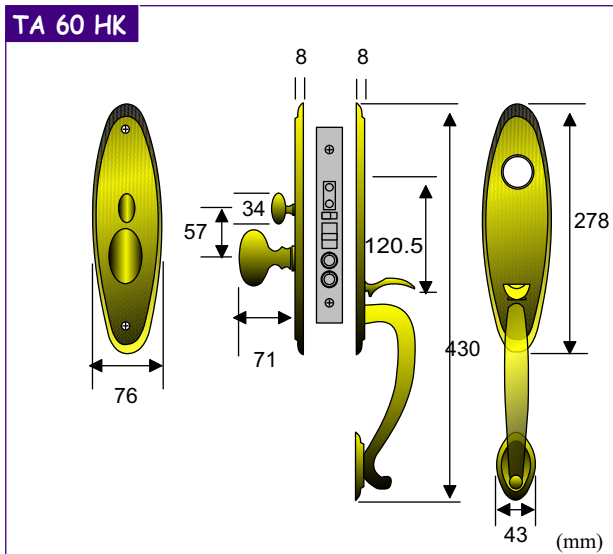
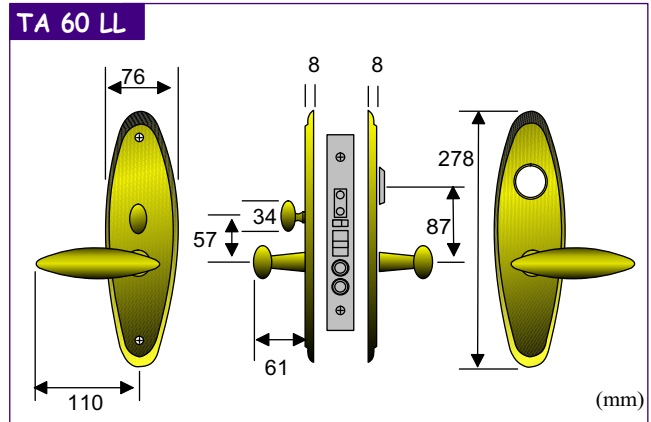
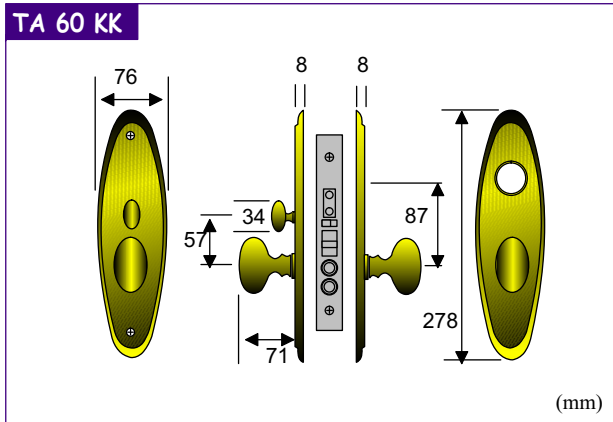
Material:  
Forged Brass.  
Hub size:  
8mm Square

Finishes available:  
US 10B, 6, PVD.

Remark :  
Mortise Lock Case and Cylinder  
are excluded. Please refer to  
catalogue pages A01 to A21  
for various lock functions,  
Strike and the proper length  
of cylinder.



**Series 'TA60' Trim Set for Series 'A' Mortise Door Lock Case**



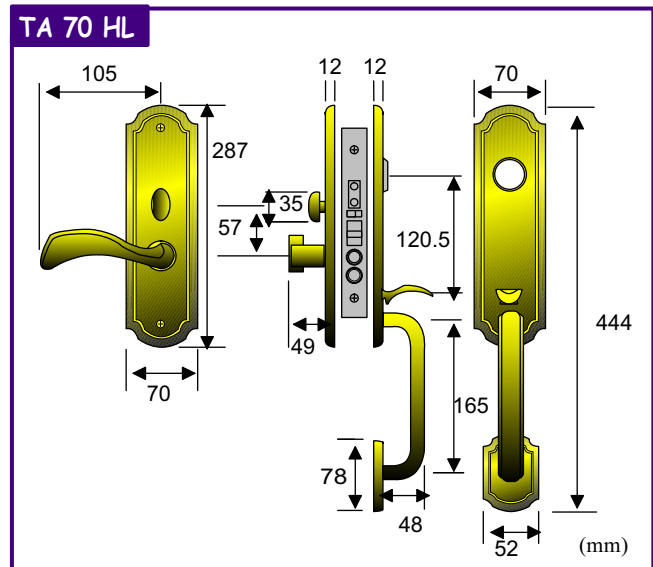
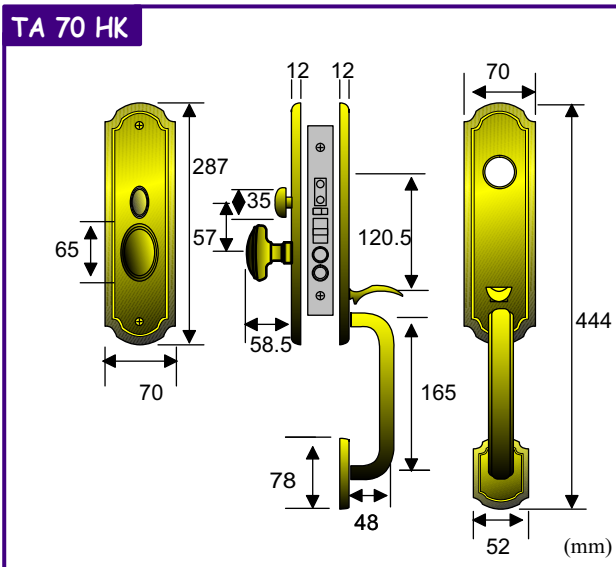
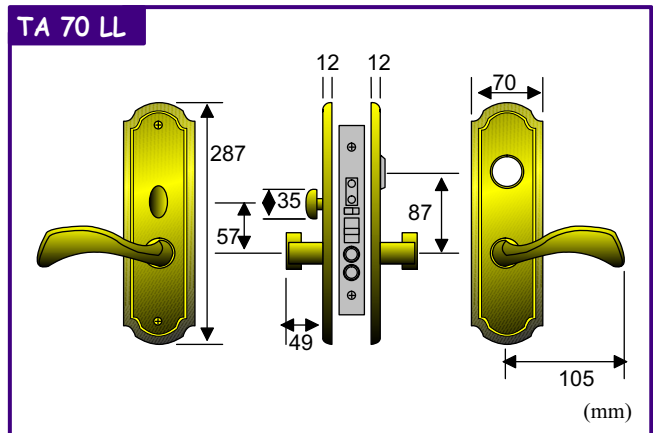
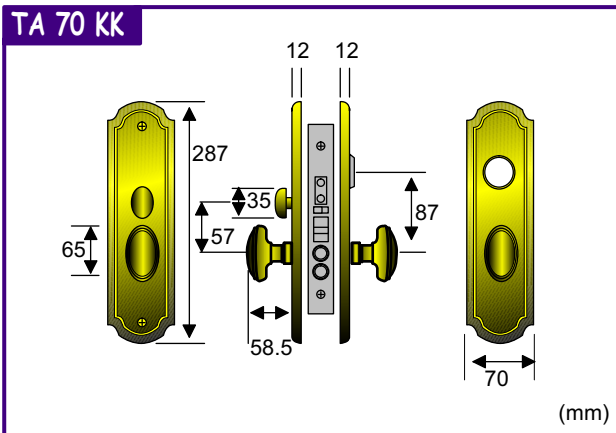
**T06**

Material: Escutcheon - Forged brass  
Lever/thumb piece - Forged Brass.

Hub size: 8mm Square

Finishes available:  
US 10B, 15, 15A, 19, 26, 26D,  
3, 5 and PVD.

Remark : Mortise Lock Case and Cylinder are excluded. Please refer to catalogue pages A01 to A21 for various lock functions, Strike and the proper length of cylinder.



T07

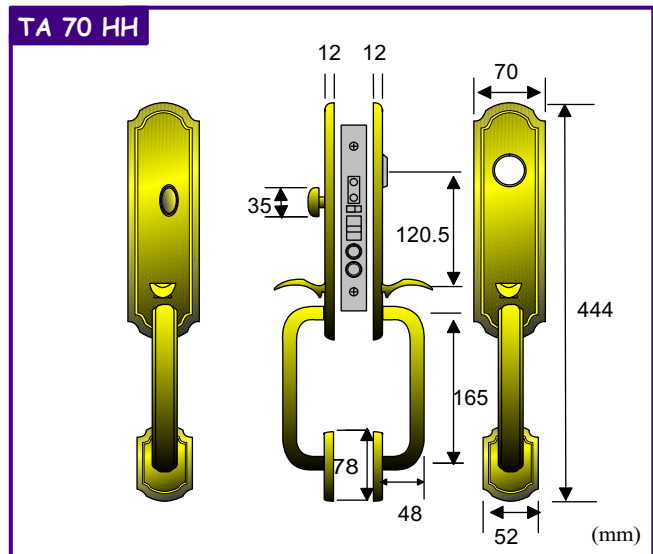
Material: Escutcheon - Forged Brass  
Lever/thumb piece - Forged Brass.

Hub size: 8mm Square

Finishes available:

US 10B, 15, 15A, 19, 26, 26D,  
3, 5 and PVD.

Remark : Mortise Lock Case and Cylinder are excluded. Please refer to catalogue pages A01 to A21 for various lock functions, Strike and the proper length of cylinder.





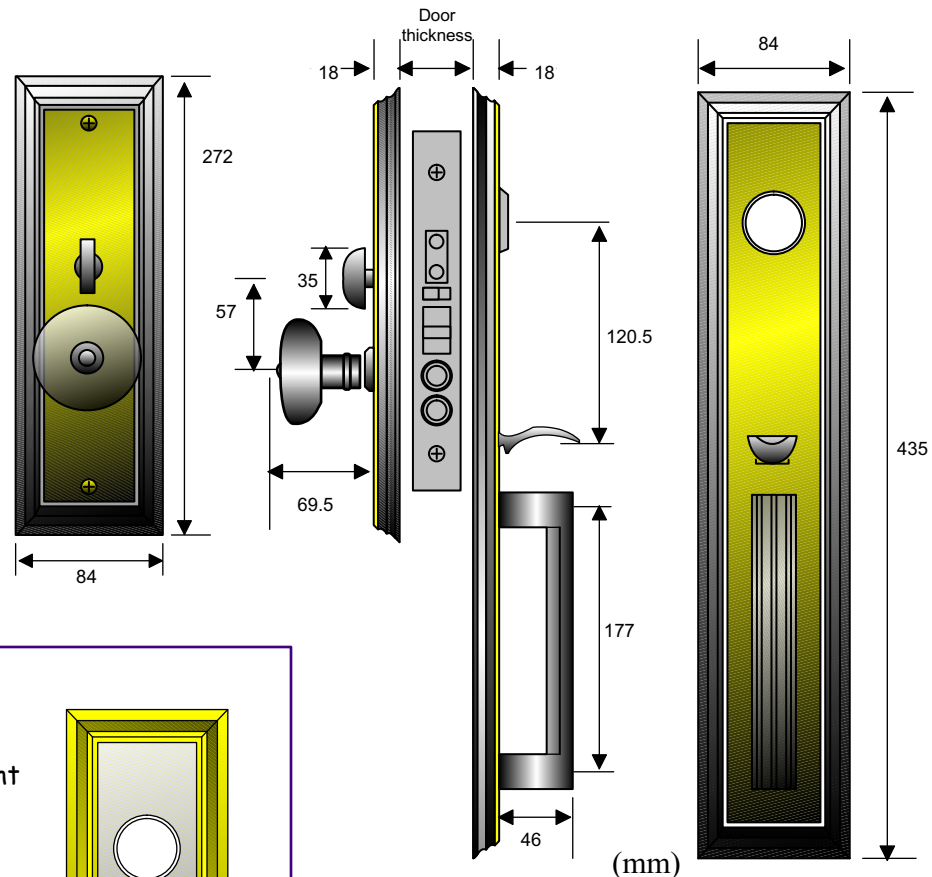
**Series 'TA80' Trim Set for Series 'A' Mortise Door Lock Case**

**TA 80 HK**

Two 2-tone finishes available:

**PC-A:**  
Escutcheon - Bright chrome frame with PVD plated front plate.

Knob/T.Turn/Thumb Piece/Handle - Bright Chrome



**PC-B:**  
Escutcheon - PVD frame with bright chrome front plate

Knob/T.Turn/Thumb Piece and Handle - PVD 18K gold finish.

**T08**

Material : Forged Brass  
Hub size: 8mm Square  
Finishes: US10B, PC-A, PC-B

Remark :  
Mortise Lock Case and Cylinder are excluded. Please refer to catalogue pages A01 to A21 for various lock functions, Strike and the proper length of cylinder.

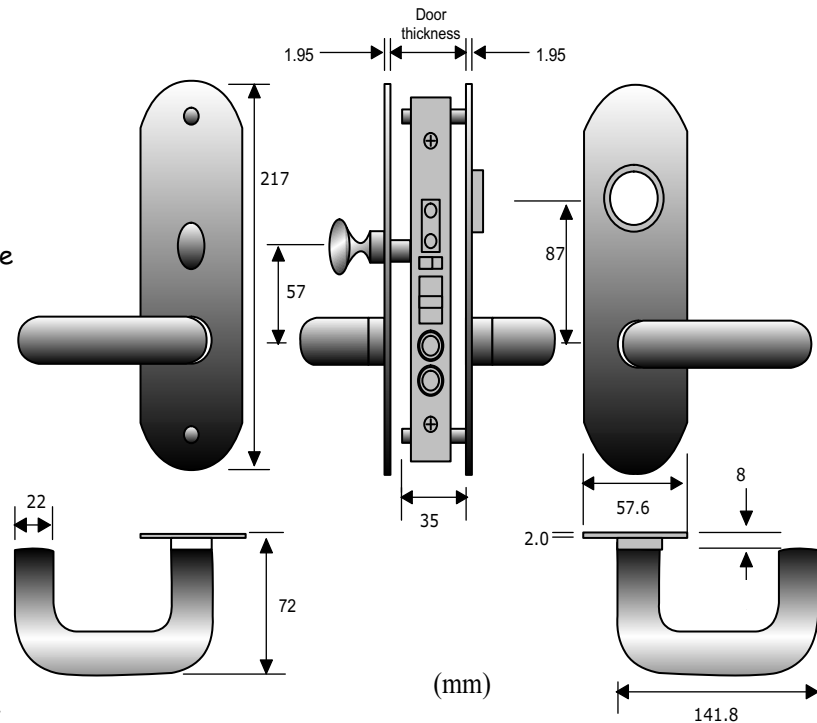
**Models 'TA 91' and 'TA 92' Trim Sets  
for Series 'A' Mortise Door Lock Case**

**TA 91 LL**

Material :  
Lever/escutcheon:  
Stainless Steel  
Hub size: 8.0mm on Square

Finish: US 32D

Remark:  
Mortise Lock Case and  
Cylinder are excluded.  
Please refer to catalogue  
pages A01 to A21 for various  
lock functions, Strike and  
the proper length of cylinder.

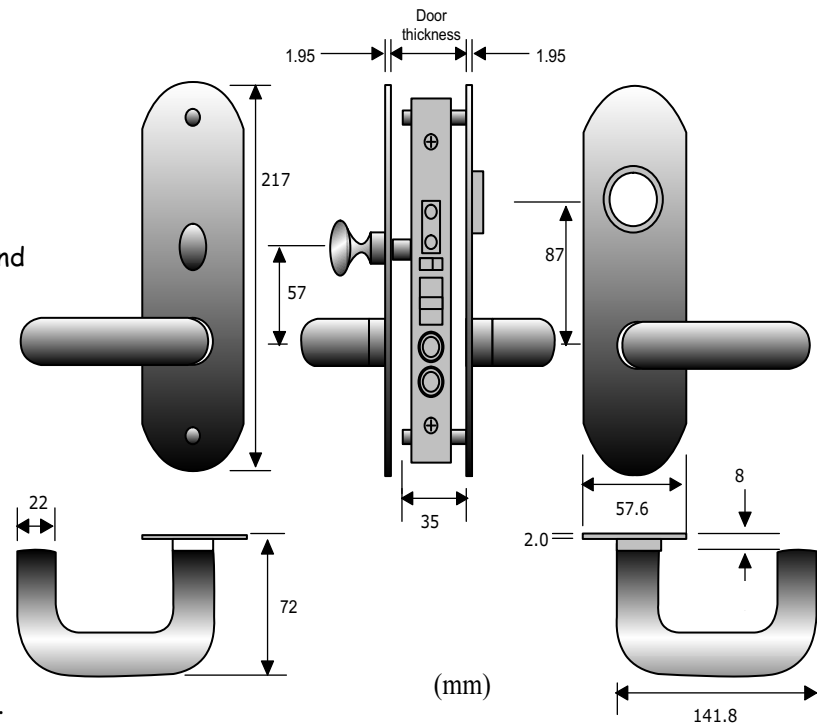


**TA 92 LL**

Material :  
Lever/escutcheon:  
Stainless Steel  
Hub size: 7.3mm on Diamond

Finish: US 32D

Remark:  
Mortise Lock Case and  
Cylinder are excluded.  
Please refer to catalogue  
pages A01 to A21 for various  
lock functions, Strike and  
the proper length of cylinder.



# Models 'TA95' & 'TA96' Classic Stainless Steel Lever Set

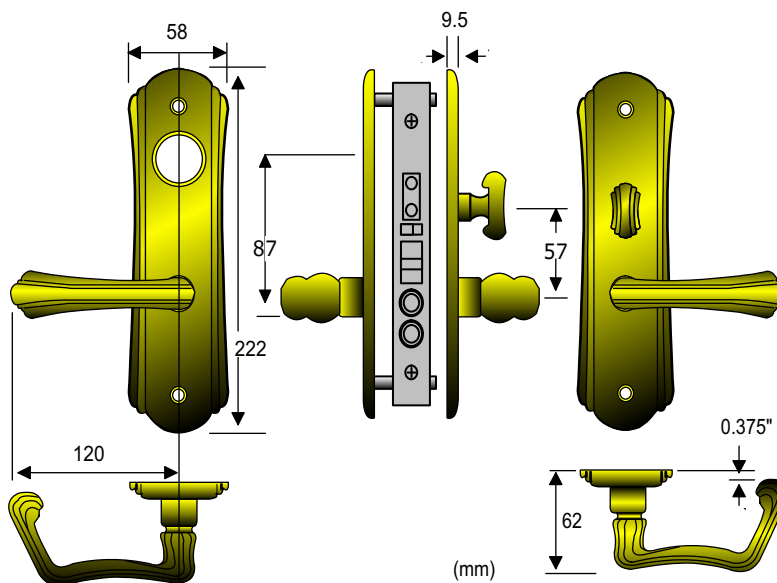
## TA 95 LL

Material : Investment-cast stainless steel

Hub size: 8mm Square

Finishes :

- US32 Bright polished
- US32D Satin
- ZG32 Bright polished stainless steel and Zirconium/Gold
- ZG32D Satin stainless steel and Zirconium/Gold



Remark :

Mortise Lock Case and Cylinder are excluded. Please refer to catalogue pages 6 to 21 for various lock functions, Strike and the proper length of cylinder.

T10

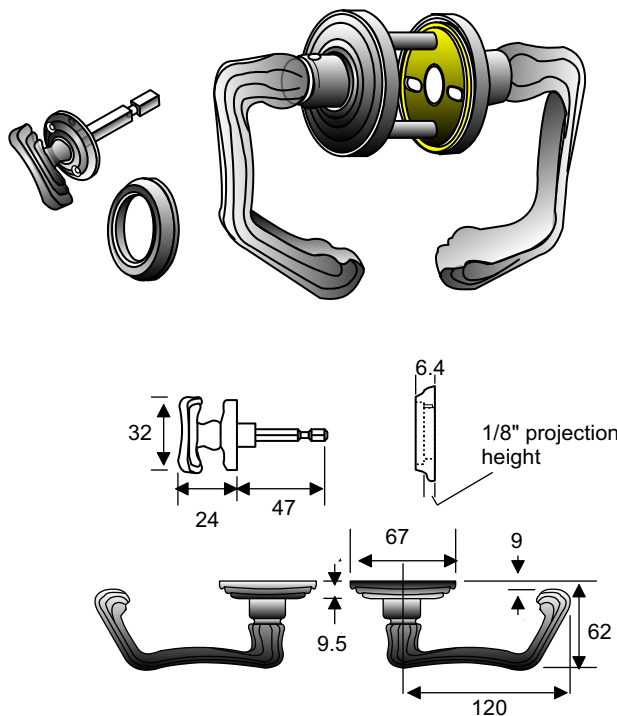
## TA 96 LL

Material : Investment-cast stainless steel

Hub size: 8mm Square

Finishes :

- US32 Bright polished
- US32D Satin
- ZG32 Bright polished stainless steel and Zirconium/Gold
- ZG32D Satin stainless steel and Zirconium/Gold



Remark :

Mortise Lock Case and Cylinder are excluded. Please refer to catalogue pages A01 to A21 for various lock functions, Strike and the proper length of cylinder.

# Memo

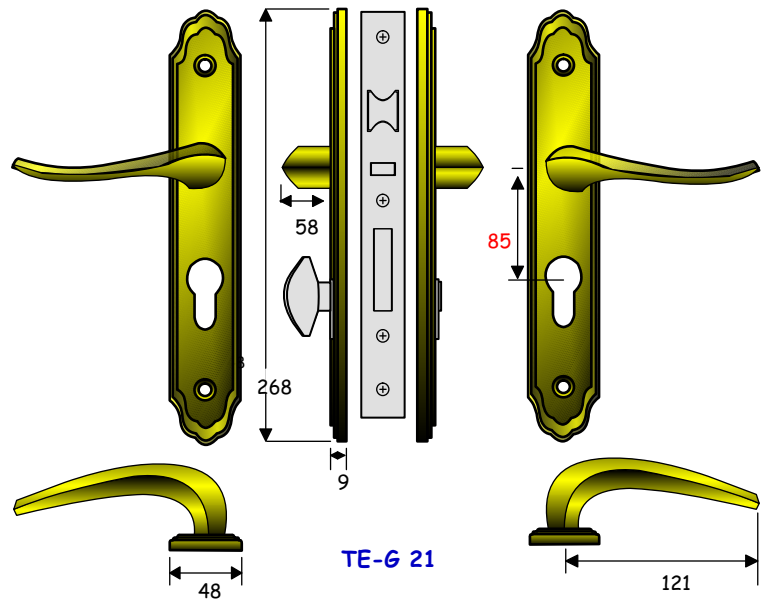
T11

**Models TE-G Brass & TE-H Stainless Steel  
Trim Set for 'E' Euro Mortise Lock Case**

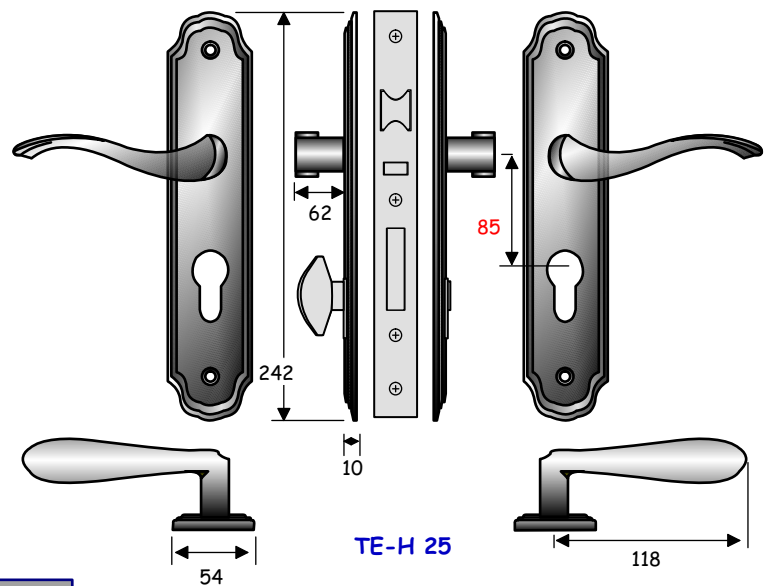
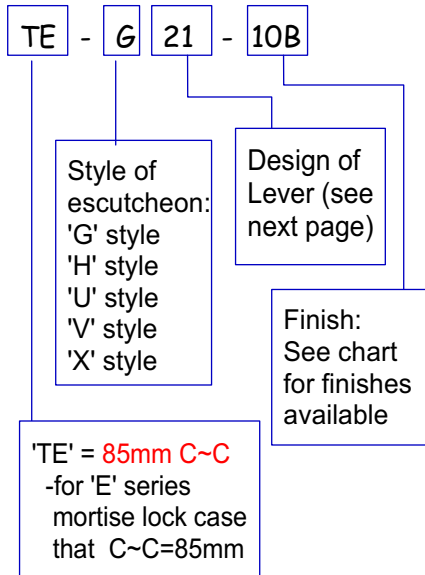
Models 'TE-G' and 'TE-H' Trim Sets are also designed to accommodate 'E' series Euro Mortise Lock case that is formed with 85mm Lever Center to Cylinder center as shown on page 34 and page 36.

The model TE-G21 is made of forged brass. Model TE-H25 is made of investment cast stainless steel.

Hub size: 8mm on square



Code Interpretation Guide



T12

Model Nos.	Material	Finish
TE-G21	Forged Brass	10B, PVD
TE-H25	Investment casted Stainless steel	32D

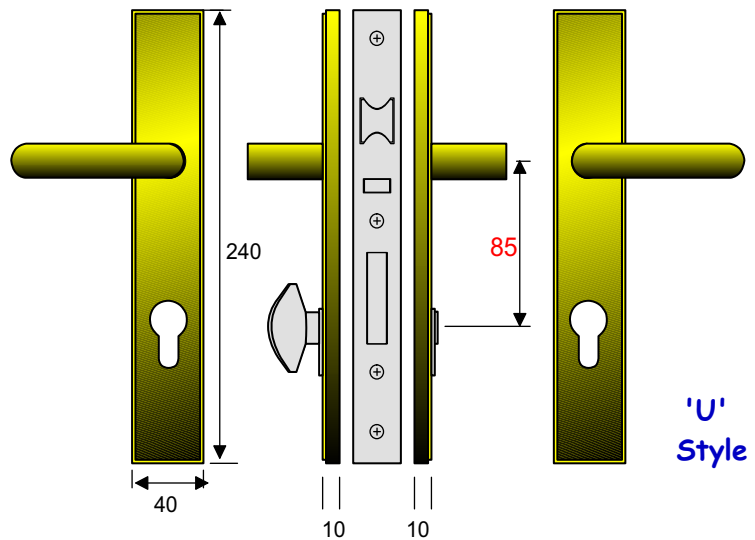
*Cylinder and Mortise lock case are excluded. Please see pages E01 to E03 for series 'E' Mortise Lock Cases and page E14~E15 for the 'EC' Euro Profile Cylinder accessories.*

**Series 'TE' Trim Set for  
'E' Euro Mortise Lock Case**

Baton Series 'TE' Trim Sets are designed to accommodate European style Mortise lock cases (see page 33 to 36 for various function of Series 'E' Euro Mortise Lock Case).

Nine (9) styles of forged brass Levers as shown on the page followed are available for adopting to the following 3 styles of the escutcheons.

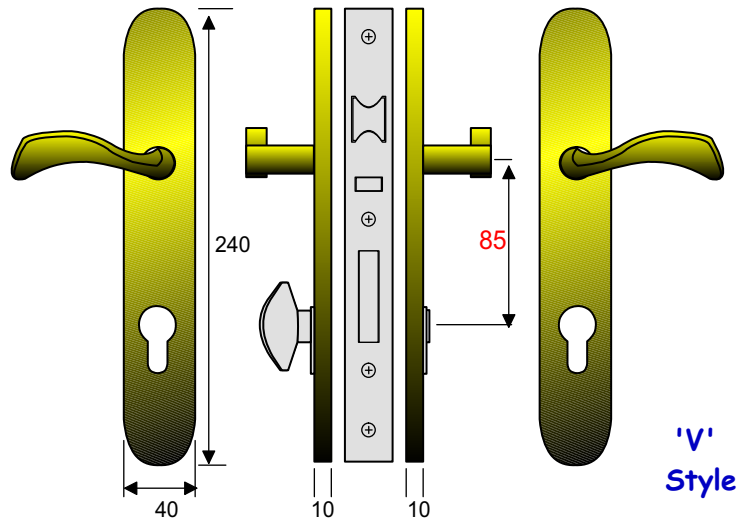
- 'U' style
- 'V' style
- 'X' style



'U' Style

The escutcheon both of the 'U' and 'V' styles are made of forged brass. The 'X' style sectional brass trim set consists of 2 sets of Rosettes, one for the Lever and one for the Euro Profile Cylinder. The 'X' style features a double rosette design. The bolting screws are concealed behind the clip-on upper Rosette.

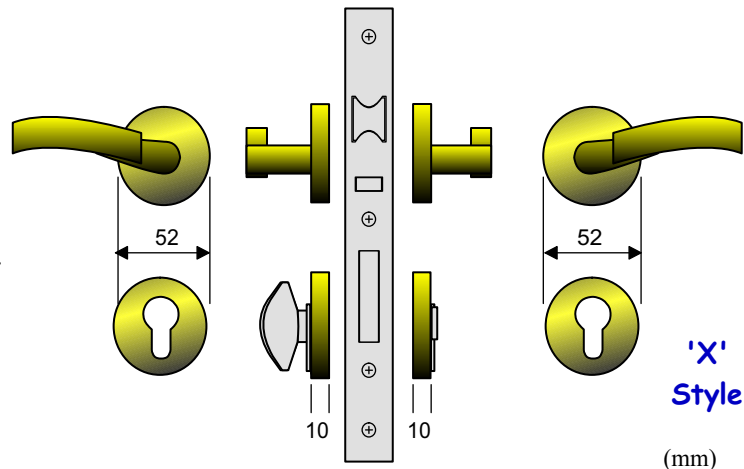
Hub size: 8mm on square



'V' Style

Model Nos.	Description	Finish
TE-U__	'U' type trim set	( See next page )
TE-V__	'V' type trim set	
TE-X__	'X' type trim set	

*Cylinder and Mortise lock case are excluded. Please see pages E01 to E07 for 'E', 'F' Mortise Lock Cases, and page E14, E15 for 'EC' Euro Profile Cylinder accessories.*

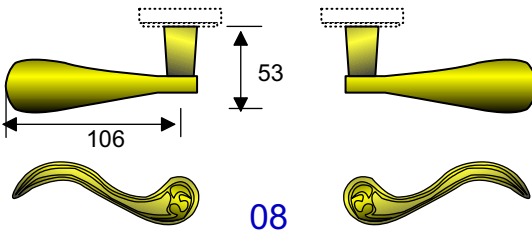
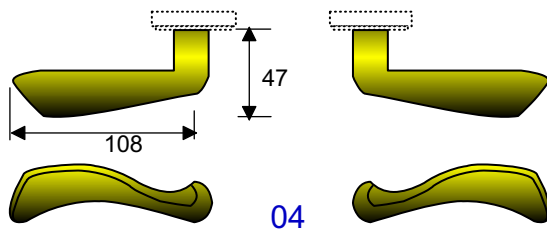
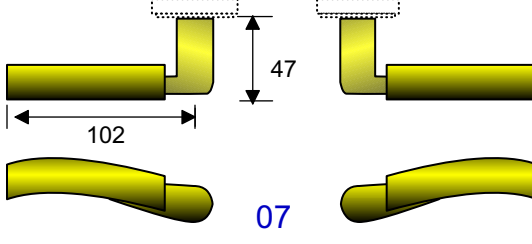
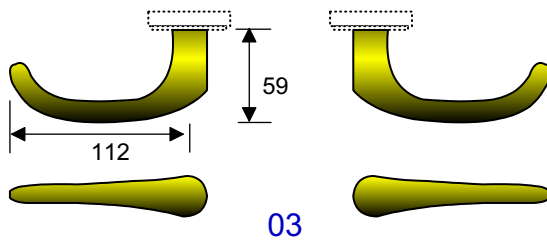
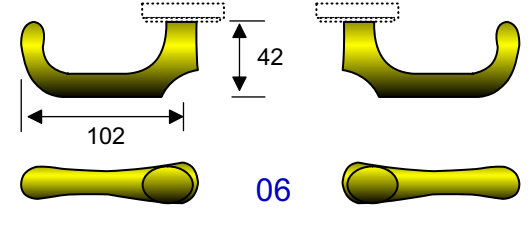
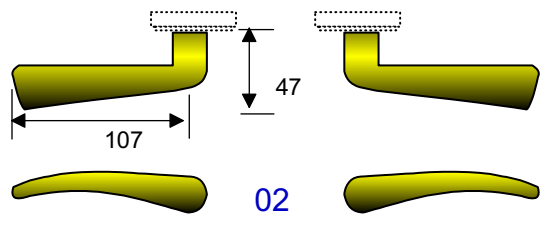
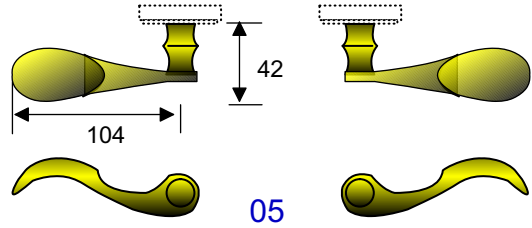
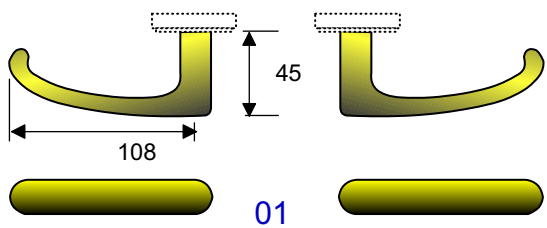


'X' Style

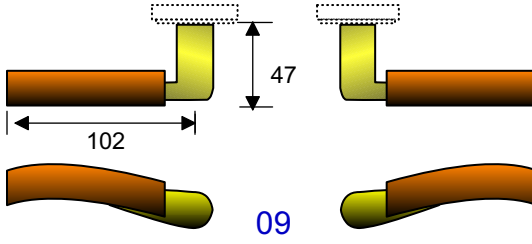
(mm)

**Classic & Modern Brass Levers for Series 'TE' Trim Sets**

The Levers shown below are designed to accommodate 'TE' Trim Sets, both for the one-piece construction 'U' or 'V' escutcheons, and style 'X' the Modern/small sectional rosette. Various finishes are available to order.

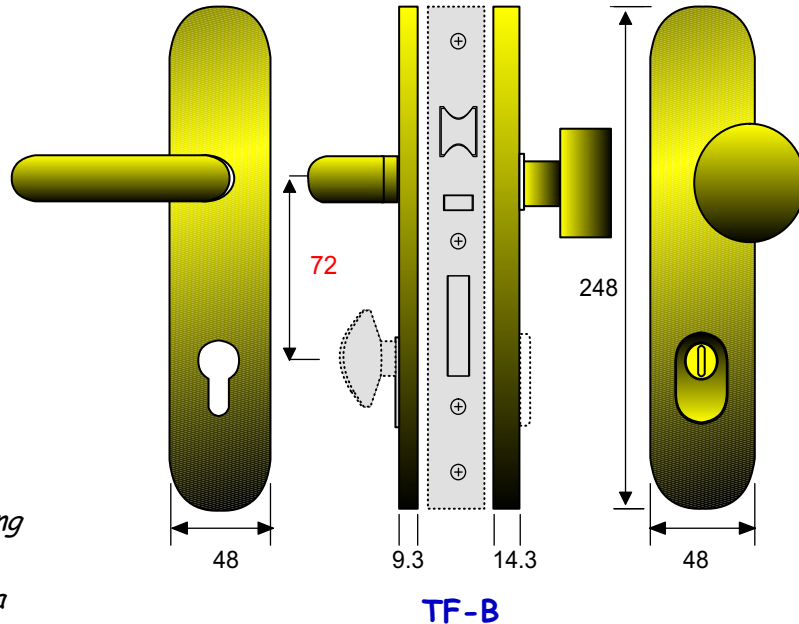


Model Nos.	Material	Finish
01, 02, 03, 04, 05, 06, 07, 08	Wrought brass	10B, 15, 15A, 26, 26D, 3, PVD
09	Wrought brass w/mahogany deco	26, PVD



**Series TF-B & TF-D Super Duty Trim Set  
for 'F' Euro Mortise Lock Case**

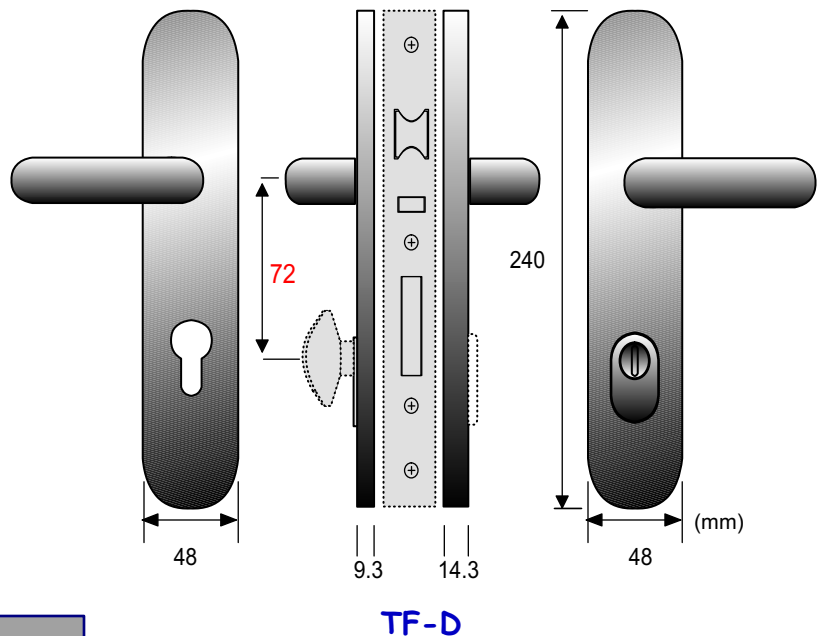
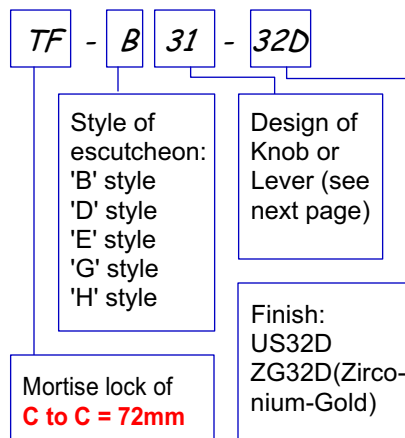
The Series TF-B and TF-D Super Duty Trim sets are designed for extra special security. Heavy gauge stainless steel exterior escutcheon is constructed with a 1/2" thick solid one-piece construction steel plate and is secured with 3 alloy bolting screws over the 5mm thick interior bracket. An anti-drilling hardened steel guard plate is installed inside the length-adjustable cylinder protection assembly to add extra security. It provides extra protection against pulling, drilling, hammering or prying open by a burglar. Model TF-B Lever set features a rigid outside pull knob.



Finishes: US32D & PVD

T15

Code Interpretation Guide

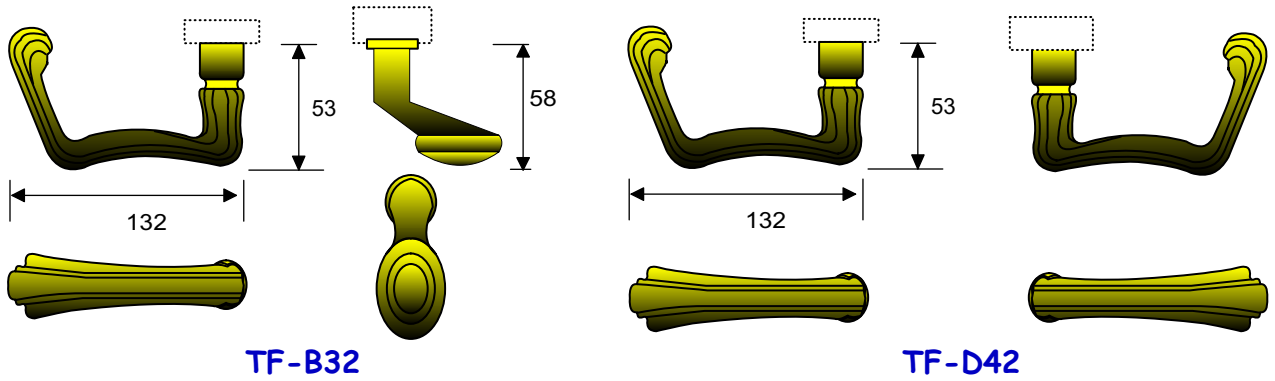
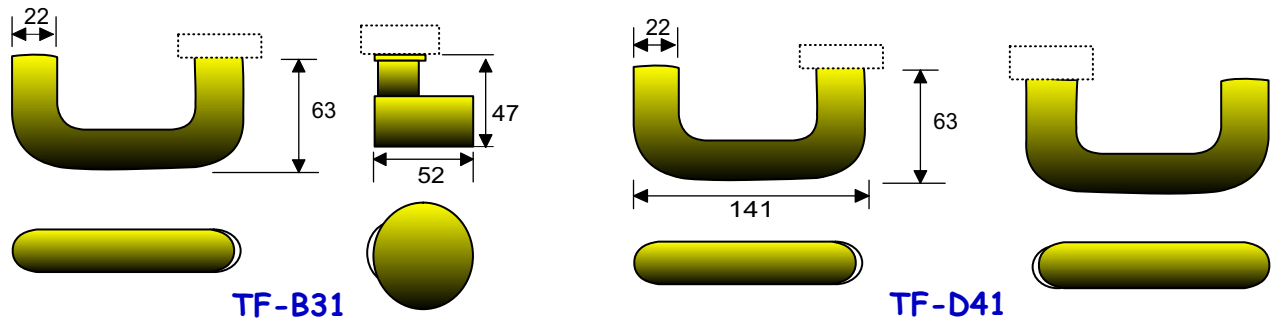
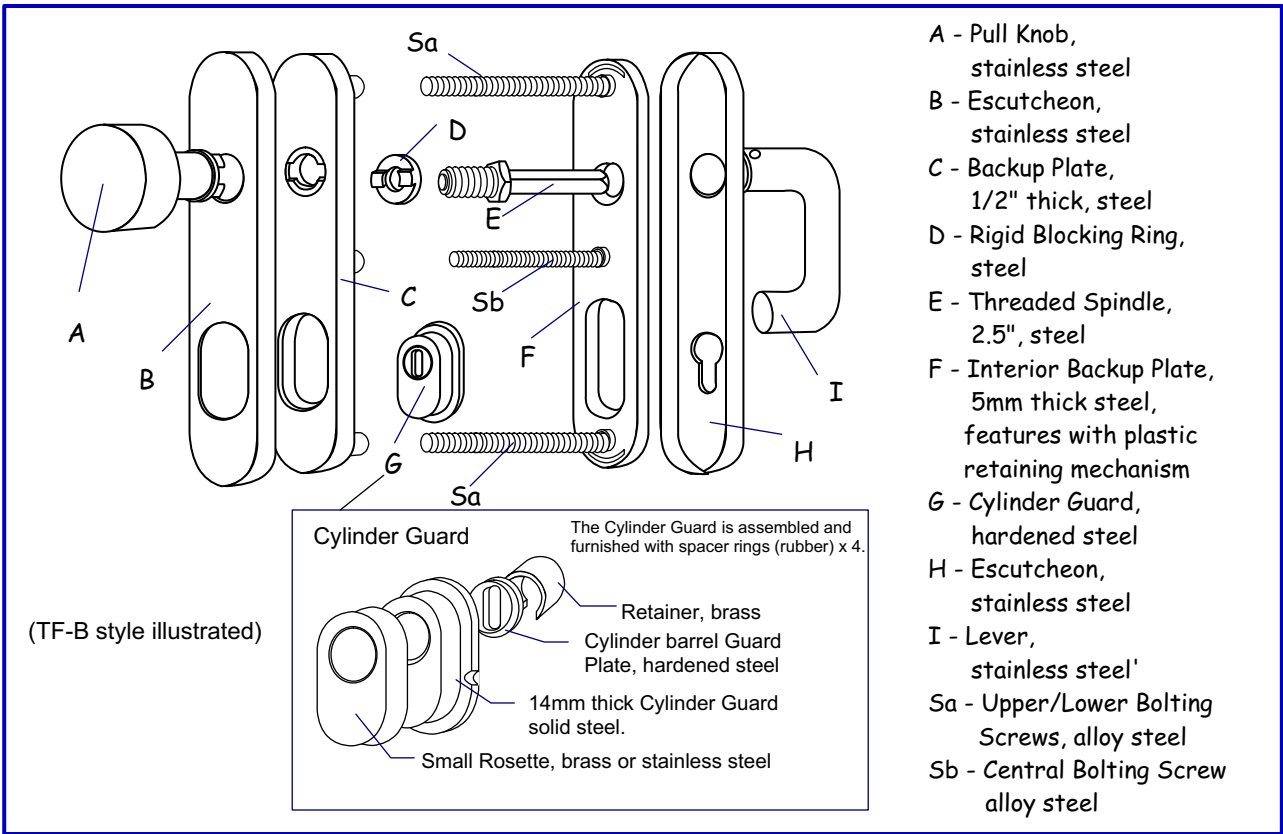


Model Nos.	Description	Finish
TF-B31	'B' style trim set K/L	32D, PVD
TF-B32	'B' style trim set K/L	"
TF-D41	'D' style trim set L/L	"
TF-D42	'D' style trim set L/L	"

Cylinder and Mortise lock case are excluded. Please see page E06, E07 for 'F' Mortise Lock Cases and pages E14 to E16 for 'EC' Euro Profile Cylinder and accessories.



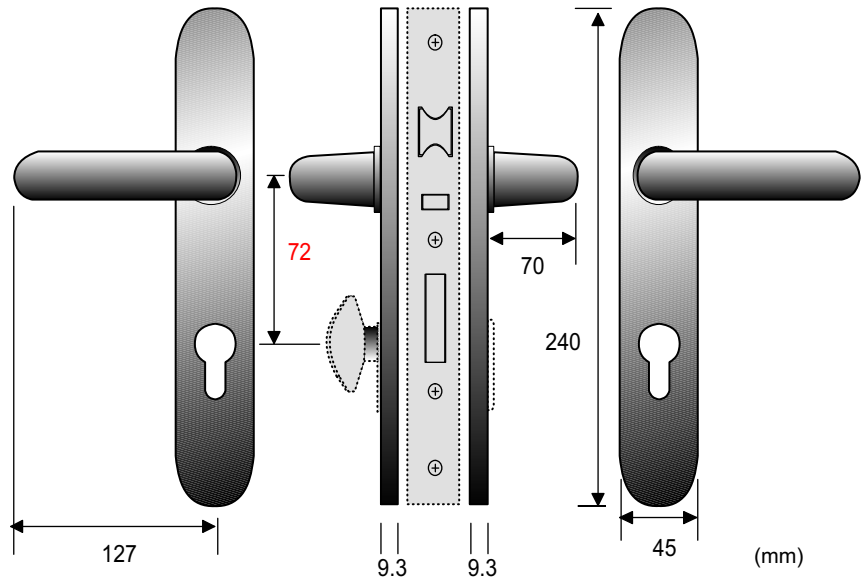
**Stainless Steel Pull Knob and Lever for series TF-B & TF-D Super Duty Trim Set**



**Model TF-E Stainless Steel Trim Set for  
'F' Euro Mortise Lock Case**

*Cast investment solid stainless steel lever featured with heavy gauge stainless steel escutcheon.*

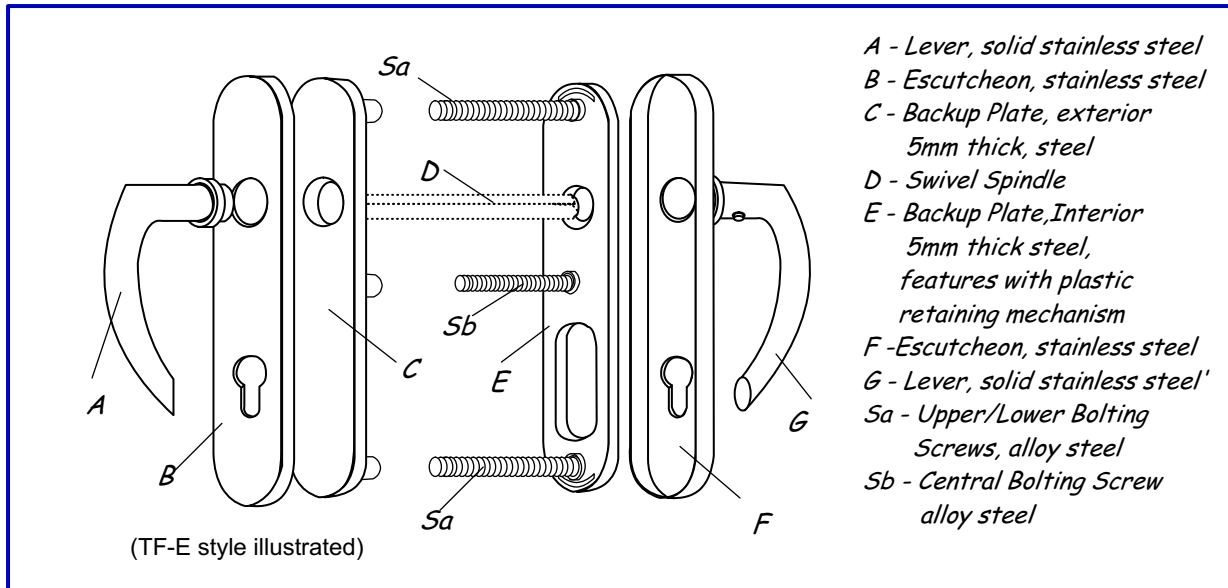
*Both of the exterior and interior escutcheons are constructed with a 5mm thick steel backup plate; and are secured with 3 alloy bolting screws between door. It provides extra protection against pulling, drilling, hammering or prying open by burglar. Bolting screws are concealed and covered by the click-on escutcheons.*



*Finishes: US32D & PVD*

**TF-E**

T17



Model Nos.	Material	Finish
TF-E45	Investment casted Stainless steel	32D, PVD

*Cylinder and Mortise lock case are excluded. Please see pages E06, E07 for series 'F' Mortise Lock Cases and page E14 to E16 for the 'EC' Euro Profile Cylinder and accessories.*

**Models TF-G Brass & TF-H Stainless Steel  
Trim Set for 'F' Euro Mortise Lock Case**

These two elegance 'TF' Trim Sets are also designed to accommodate Baton 'F' series Euro Mortise Lock case that is formed with 72mm Lever Center to Cylinder center as shown on page E06 and E07.

Material:

Model TF-G21

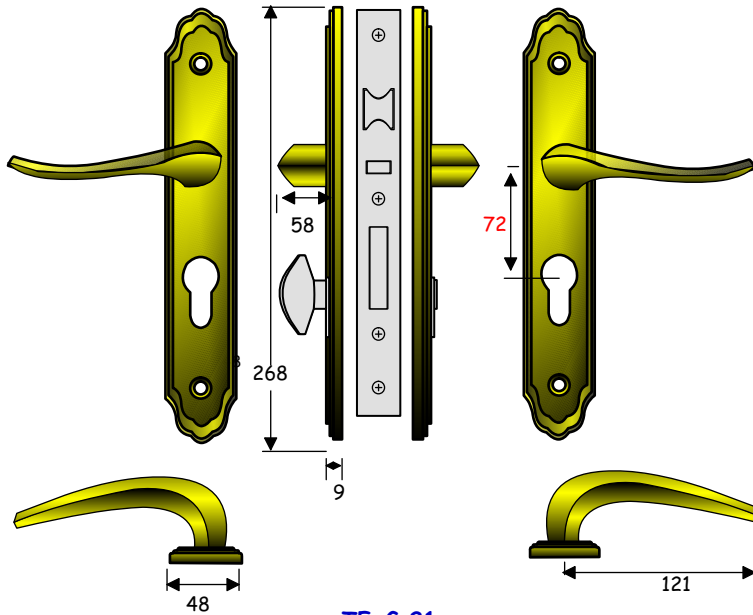
Escutcheon - Forged brass  
lever - Forged brass.

Model TF-H25

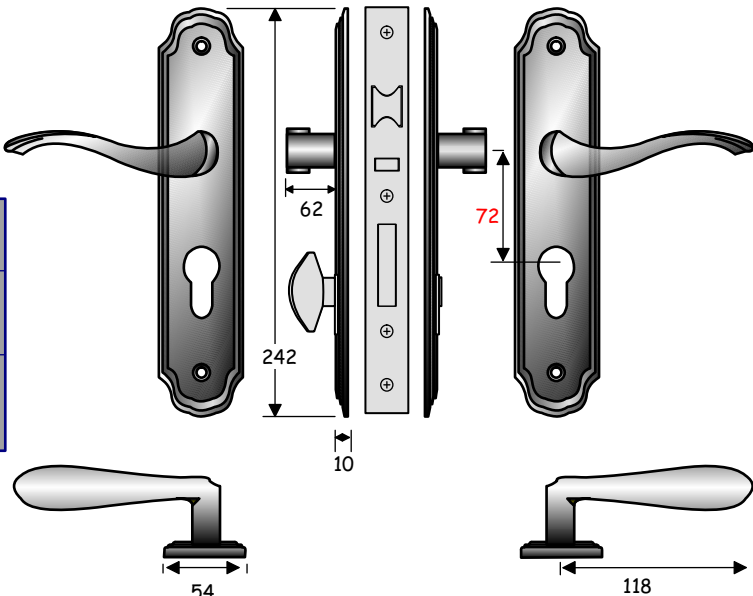
Escutcheon - Cast investment  
stainless steel.

Lever - Cast investment  
stainless steel

Hub size: 8mm on square



TF-G 21



TF-H 25

Model No.	Material	Finish
TF-G21	Forged Brass	10B, PVD
TF-H25	Cast Investment Stainless steel	32D

*Cylinder and Mortise lock case are excluded. Please see pages E06, E07 for series 'F' Mortise Lock Cases and page E14 to E16 for the 'EC' Euro Profile Cylinder and accessories.*

# Series 'TL' Brass Lever Set

Baton Series 'TL' Lever Sets provide the ultimate in elegance, beauty and style. It will accommodate Baton's series 'LT' Tubular Latches. Please refer to pages L01 to L09 for options.

Three styles of Rosettes : Classic (C), Modern Large (M) and Modern Small (N) for your choice to adapt to the 8 styles of elegant Levers as shown on next page.

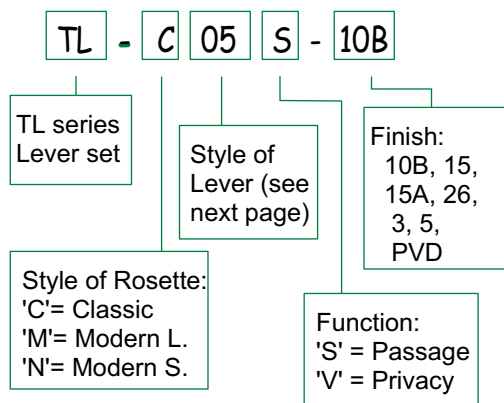
All rosettes are made of wrought brass and available in the following finishes:

US10B, 15, 15A, 26, 3, 5 & PVD

Hub size: 8mm on square

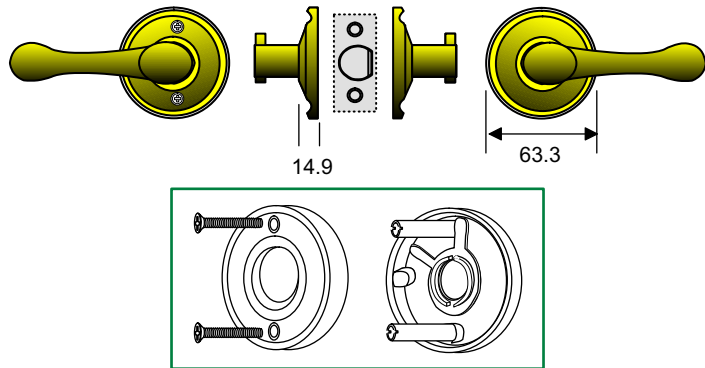
T19

### Code Interpretation Guide

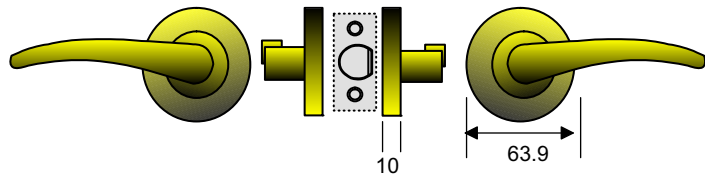


Model Nos.	Description	Finish
TL-C__	'U' type trim set	( See next page )
TL-M__	'V' type trim set	
TL-N__	'X' type trim set	

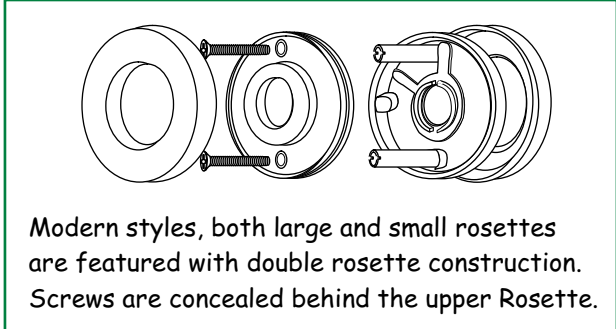
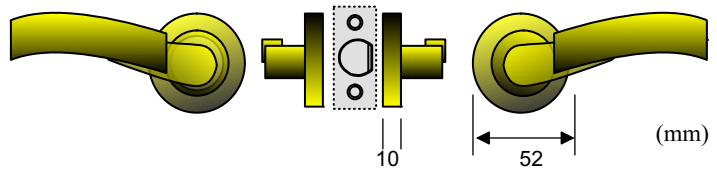
### Classic style Rosette



### Modern style Rosette (L)



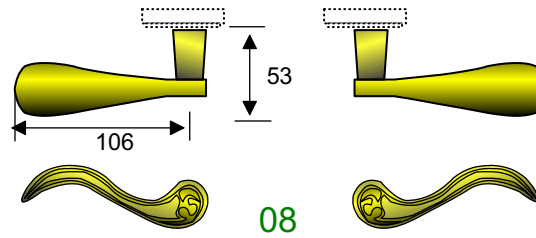
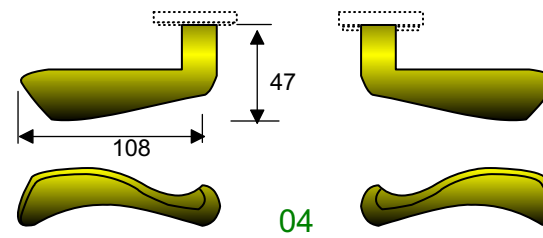
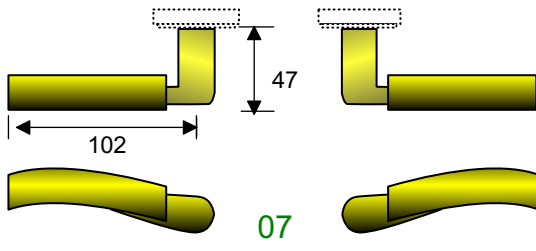
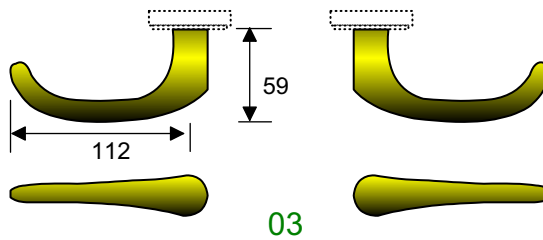
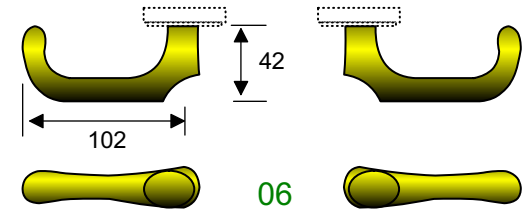
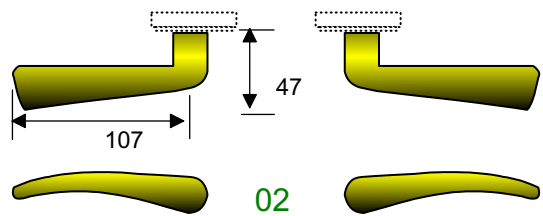
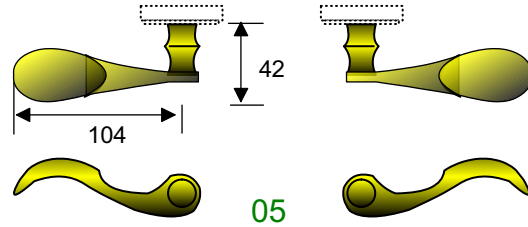
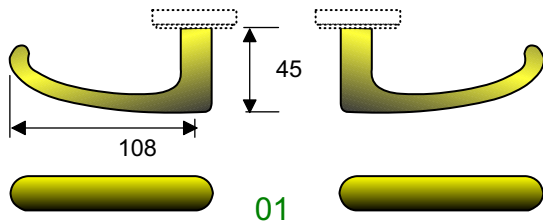
### Modern style Rosette (S)



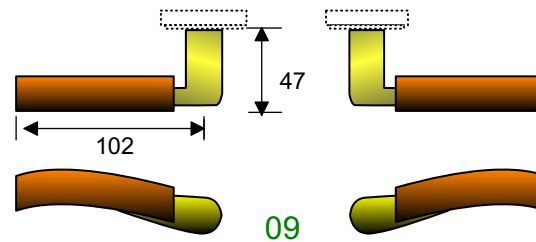
Latch is excluded. Please see pages L01~L09 for series 'LT' Passage or Privacy Latch and related accessories.

**Forged Brass Classic & Modern  
Levers for Series 'TL' Lever Sets**

The Levers shown below are designed to match with the Classic, Modern Large and Modern Small Rosette of series 'TL' Lever Sets as per described on page left. Various finishes are available to order.



Model Nos.	Material	Finish
01, 02, 03, 04, 05, 06, 07, 08	Wrought brass	10B, 15, 15A, 26, 26D, 3, PVD
09	Wrought brass w/mahogany deco	26, PVD



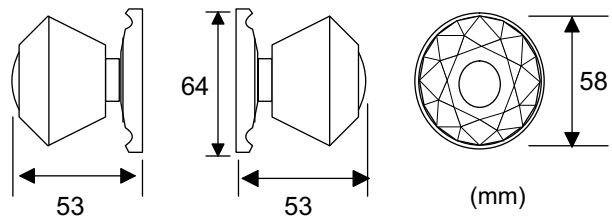
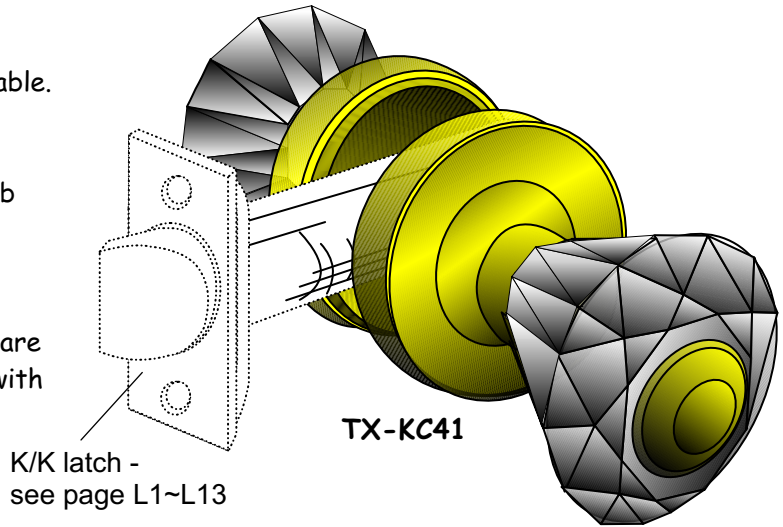
**Series 'TX-K'**  
**Crystal & Brass Knob Sets**

Baton Series 'TX-K' Knob Sets combine style and beauty. Three models are available.

Model TX-KC41 is featured with 2-5/16" Crystal Glass Knobs. The Rosette and knob shank are made of brass. Finish: US26 & PVD

The knob of Models TX-KM53 and KM54 are made of forged brass, and are featured with a double Rosette design. The bolting screws are concealed behind the Snap-On upper Rosette. Both the upper and lower Rosettes are made of wrought brass. Hub size: 8mm on square

Finishes available :  
US10B, 15, 15A, 26, 3 & PVD

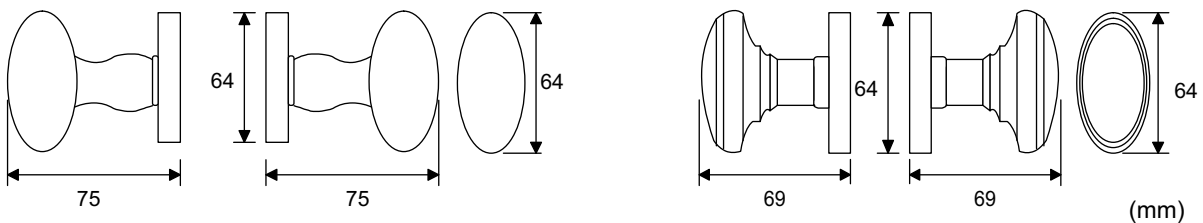
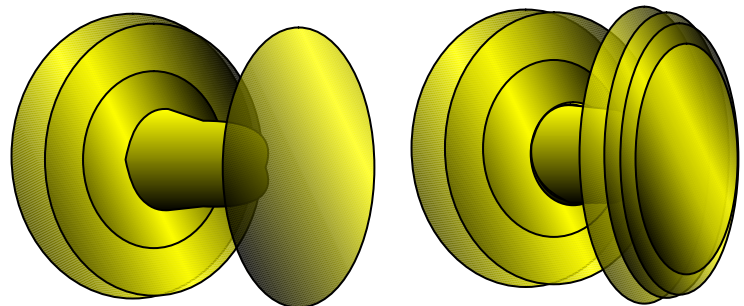


Model Nos.	Description
TX-KC41	Knob set, Crystal glass
TX-KM53	Knob set, Forged brass
TX-KM54	Knob set, Forged brass

T21

Latch and Mortise Lock case and Spindle are separate purchase items. Please refer to

- a) pages L01~L09 for Series 'LT' Tubular Latches and related accessories
- b) pages A01 to A10 for Series 'A' Mortise Lock Cases and
- c) pages D10, D11 and E01~E13 for Series 'D', 'E', 'F', 'G', 'K' Mortise Lock Cases
- d) page T25 for optional Spindles



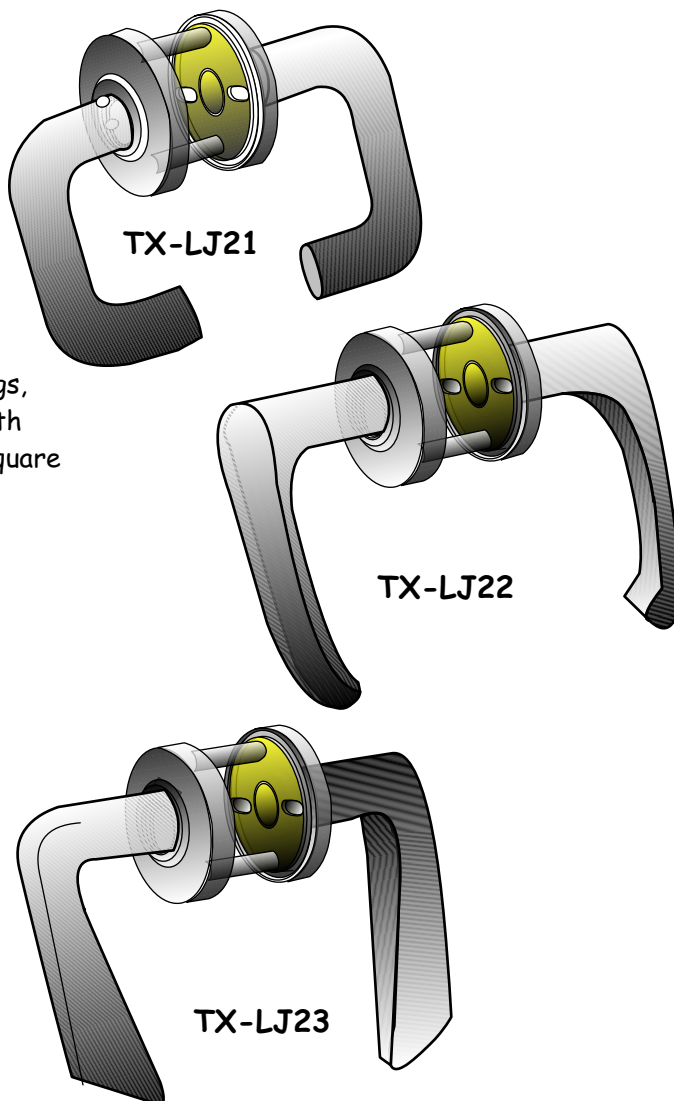
**Series 'TX-LJ' Lever Sets  
- Stainless Steel**

Series TX-LJ Lever Sets are featured with Baton's LT-RA281 Rosette Adapter, coupled with stainless steel Rosettes and Levers.

The concealed Mounting screw design allows these Lever sets to be used for series 'A' Mortise Lock, series 'F', 'E' Euro Mortise Lock, series 'D' Mortise Lock and series 'LT' Tubular Latches.

The package comes with 2 nylon spindle bushings, for 7.3mm and 8.0mm spindles, to ensure smooth and long lasting operation. Hub size: 8mm on square. Specify Passage or Privacy when ordering.

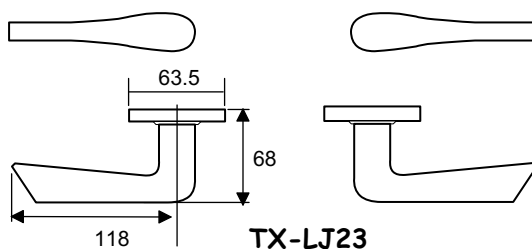
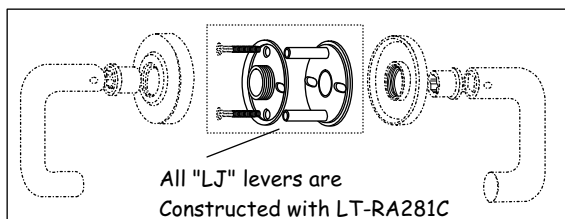
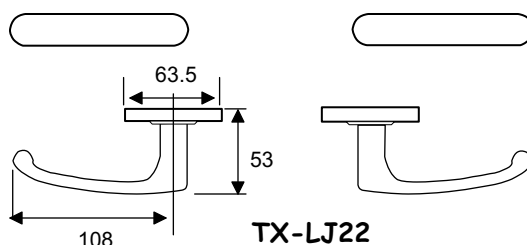
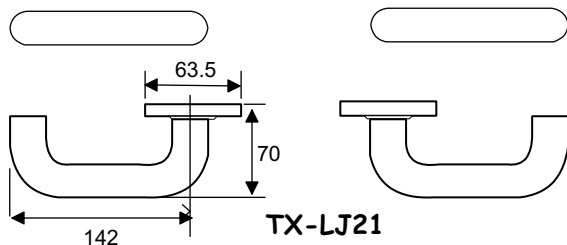
Stock No.	Description & finish
TX-LJ21	Lever set, US32D
TX-LJ22	Lever Set, US32D
TX-LJ23	Lever Set, US32D



Latch and Mortise Lock case and Spindle are separate purchase items. Please refer to

- a) pages L01~L09 for Series 'LT' Tubular Latches and related accessories
- b) pages A01 to A10 for Series 'A' Mortise Lock Cases and
- c) pages D10, D11 and E01~E13 for Series 'D', 'E', 'F', 'G', 'K' Mortise Lock Cases
- d) page T25 for optional Spindles

**T22**

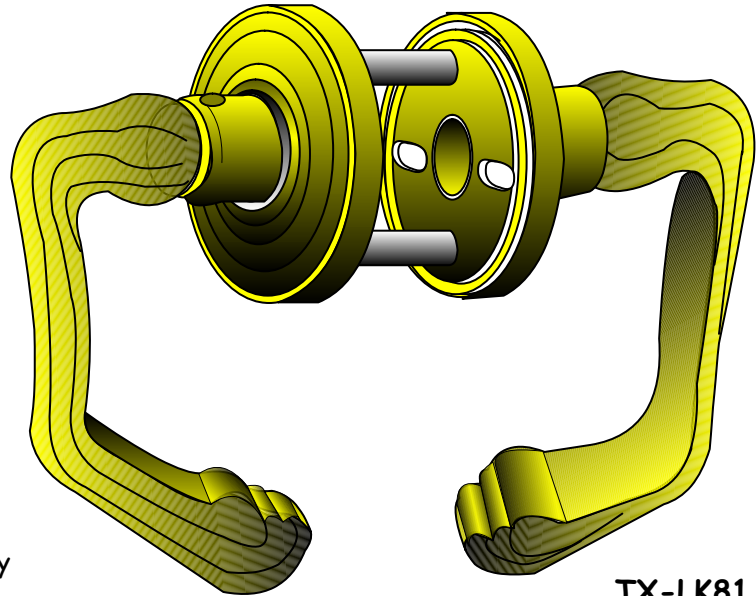


**Model TX-LK81 Classic Lever Set  
- Solid Stainless Steel**

Baton Series TX-LK81 Lever Set combines elegance and classic beauty. The investment casting stainless steel solid Lever and 2mm thick Rosette are constructed with Baton's plug type Rosette Adapter (LT-RA281D). Bolting screws are concealed, and coupled with unmatched style and reliability.

The 1-1/2" center to center threaded post works with Series 'LT' Tubular Latch and Series 'A' Mortise Lock cases.

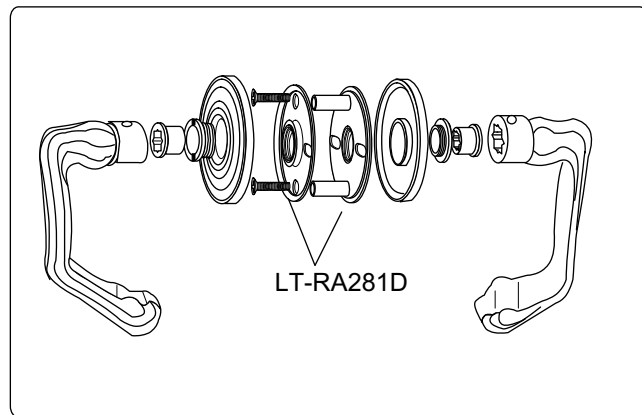
Hub size: 8mm on square. Please refer to page 83 for optional Spindles. Specify Passage or Privacy when ordering.



**TX-LK81**

**Finishes:**

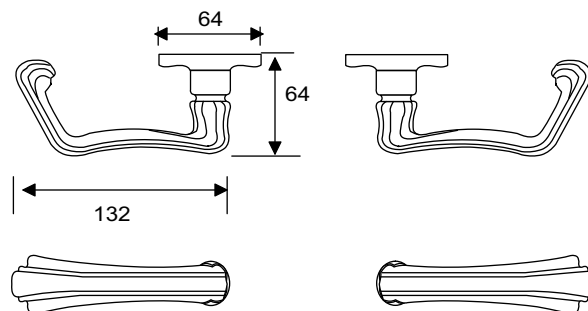
- US32 Bright polished stainless steel
- US32D Satin stainless steel
- ZG32 Bright polished stainless steel and Zirconium/Gold
- ZG32D Satin stainless steel and Zirconium/Gold



Sock No.	Description
TX-LK81	Classic Lever Set

*Latch and Mortise Lock case and Spindle are separate purchase items. Please refer to*

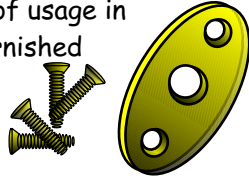
- a) pages L01~L09 for Series 'LT' Tubular Latches and related accessories
- b) pages A01 to A10 for Series 'A' Mortise Lock Cases and
- c) pages D10, D11 and E01~E13 for Series 'D', 'E', 'F', 'G', 'K' Mortise Lock Cases
- d) page T25 for optional Spindles





## Series 'TX-T' Brass Thumb Turns

Baton series 'TX-T' Thumb Turns are made of forged brass. The optional 5mm square and breakable flat style steel spindles provide a wide range of usage in many applications. Furnished with front plate and mounting screws.

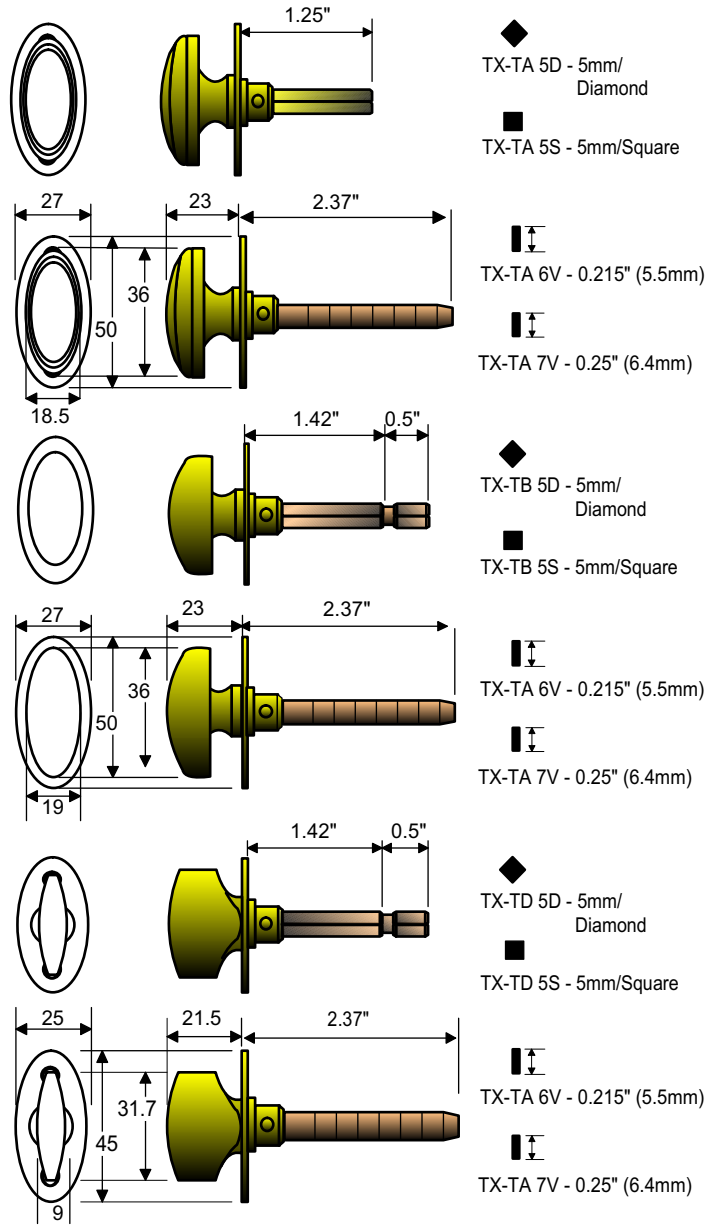
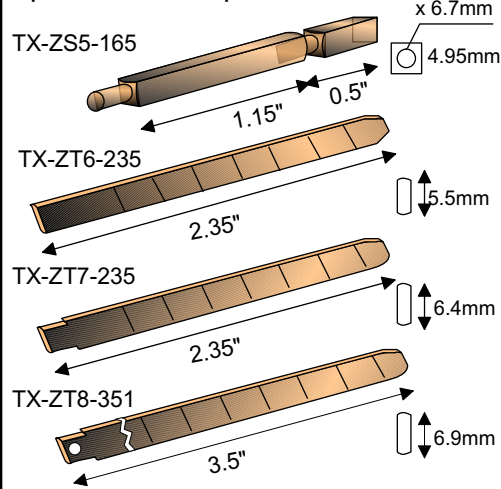


Finishes available:

- TA - US10B, 15, 15A, 26, 3
- TB - US10B, 15, 19, 26, 26D, 3
- TD - US10B, 15, 19, 26D, 3



### Spindle and snapable Tails



T24

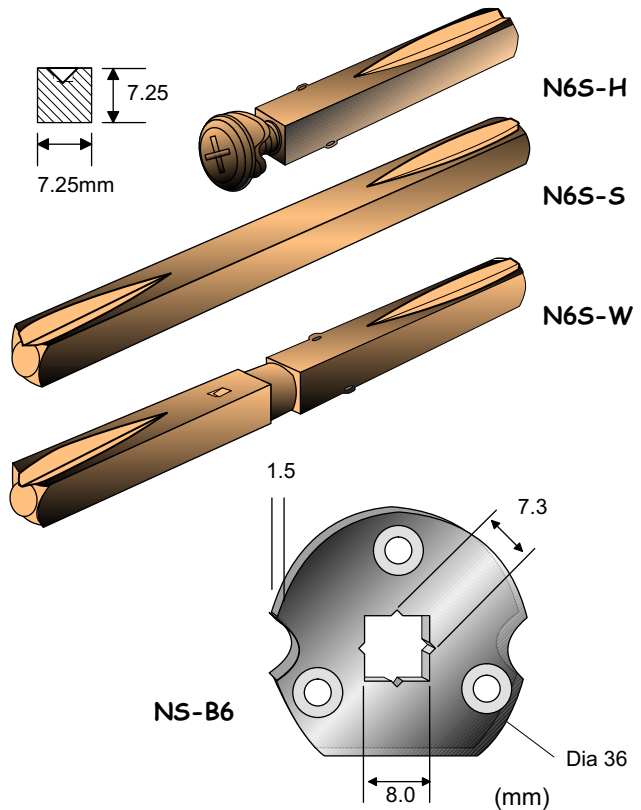
Model Nos.	Spindle type	Hub styles to fit	Baton products to fit
TX-TA 5D TX-TB 5D TX-TD 5D	5mm on Diamond		Mortise lock case series A & C, D Mortise bolts LT245MB, LT780/783/786MB Dead bolt latch D400-DA/DB/DC/DF/DH
TX-TA 5S TX-TB 5S TX-TD 5S	5mm on Square		LT245MB and Euro style latch/bolt comes with 5mm on square hub
TX-TA 6V TX-TB 6V TX-TD 6V	0.215" W on Vertical		Mortise lock case series A, Hook lock C275HX, Mortise bolt LT245MB, LT780/ 783/786 w/5mm on Diamond hub
TX-TA 7V TX-TB 7V TX-TD 7V	0.25" W. on Vertical		Mortise lock cases seroes D500, D600 Deadbolt latches D4

# Series 'N6S' Spindle and Dummy Adapter - 7.3mm

## Spindles

Baton's series 'N' Spindles are made of wrought steel for 7.3mm hub. Available with the following models:

- Half Spindle -  
for Grip Handle on one side with interior Knob/Lever trim (HL or HK).
- Solid Spindle -  
one piece construction, for Passage.
- Swivel Spindle -  
for Privacy and Entrance.

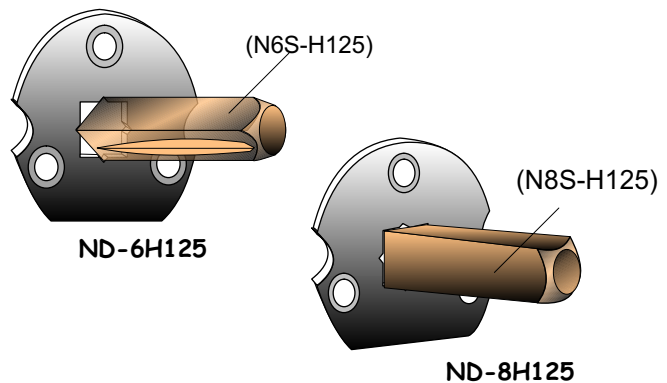


Stock No.	Description
N6S-H125	Dummy Spindle 1.25"
N6S-H275	Half Spindle 2.75"
N6S-S400	Solid Spindle 4"
N6S-S450	Solid Spindle 4.5"
N6S-S500	Solid Spindle 5"
N6S-W400	Swivel Spindle 4"
N6S-W450	Swivel Spindle 4.5"
N6S-W500	Swivel Spindle 5"

## Dummy Spindle & Bracket - for Dummy trim

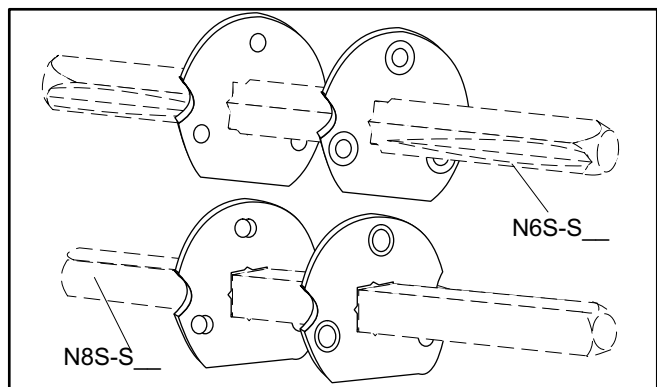
Stainless steel, with 7.3mm on diamond plus 8mm on square broaching, can be accommodated with both 7.3mm or 8.0mm spindles:

- a) Half Spindle for single side dummy trim
- b) Solid Spindle for double side dummy trim
- c) Swivel Spindle for one side dummy and other side active.



Furnished with 3/4" wood screws x 3

Stock No.	Description
NS-B6	Spindle Bracket, for 7.3 & 8mm Spindles
ND-6H125	Dummy Spindle set 7.3 mm x 1.25"
ND-8H125	Dummy Spindle set 8mm x 1.25"



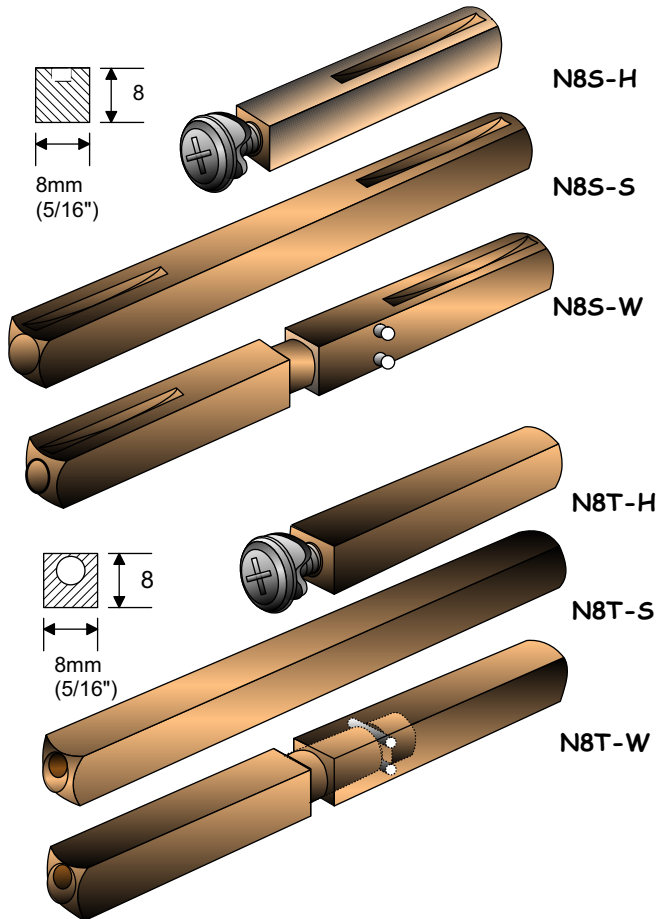
# Series 'N8' Spindle, Dummy Bracket Hub Sleeve - 8mm

## Spindles

Baton's series 'N' Spindles are made of wrought steel for 8mm hub. Two styles are available: 'NS' Spindles feature groove cut, facilitating the set screw of Knob/Lever mount without slipping. 'NT' Spindles feature a 7/16" off-center hole drilled to allow the pointed set screw to stick on to the spindle. Both styles are available with the following models:

- Half Spindle - for Grip Handle on one side with interior Knob/Lever trim (HL or HK).
- Solid Spindle - one piece construction, for Passage.
- Swivel Spindle - for Privacy and Entrance.

Stock No.	Description
N8S-H-275	Half Spindle 2.75"
N8S-S-400	Solid Spindle 4"
N8S-S-450	Solid Spindle 4.5"
N8S-S-500	Solid Spindle 5"
N8S-W-400	Swivel Spindle 4"
N8S-W-450	Swivel Spindle 4.5"
NS8-W-500	Swivel Spindle 5"
N8T-H-350	Half Spindle 3.5"
N8T-S-400	Solid Spindle 4"
N8T-S-437	Solid Spindle 4.375"
N8T-S-500	Solid Spindle 5"
N8T-S-700	Solid Spindle 7"
N8T-W-400	Swivel Spindle 4"
N8T-W-437	Swivel Spindle 4.375"
N8T-W-450	Swivel Spindle 4.5"
N8T-W-500	Swivel Spindle 5"
N8T-W-700	Swivel Spindle 7"



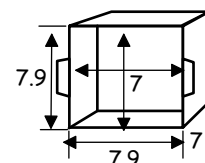
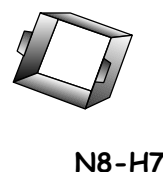
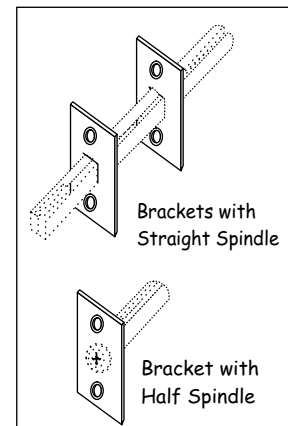
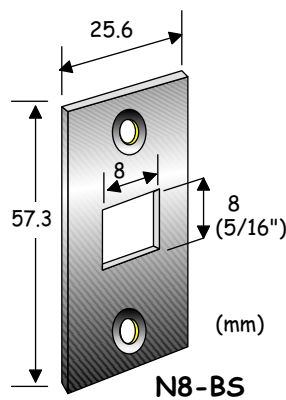
## Spindle Bracket- for Dummy trim

Stainless steel, can be accommodated with  
a) Half Spindle for single side dummy trim mount,  
b) Straight Spindle for double side dummy trim mount, or c) Swivel Spindle for one side dummy and other side active.

## Hub Sleeve 7x7mm

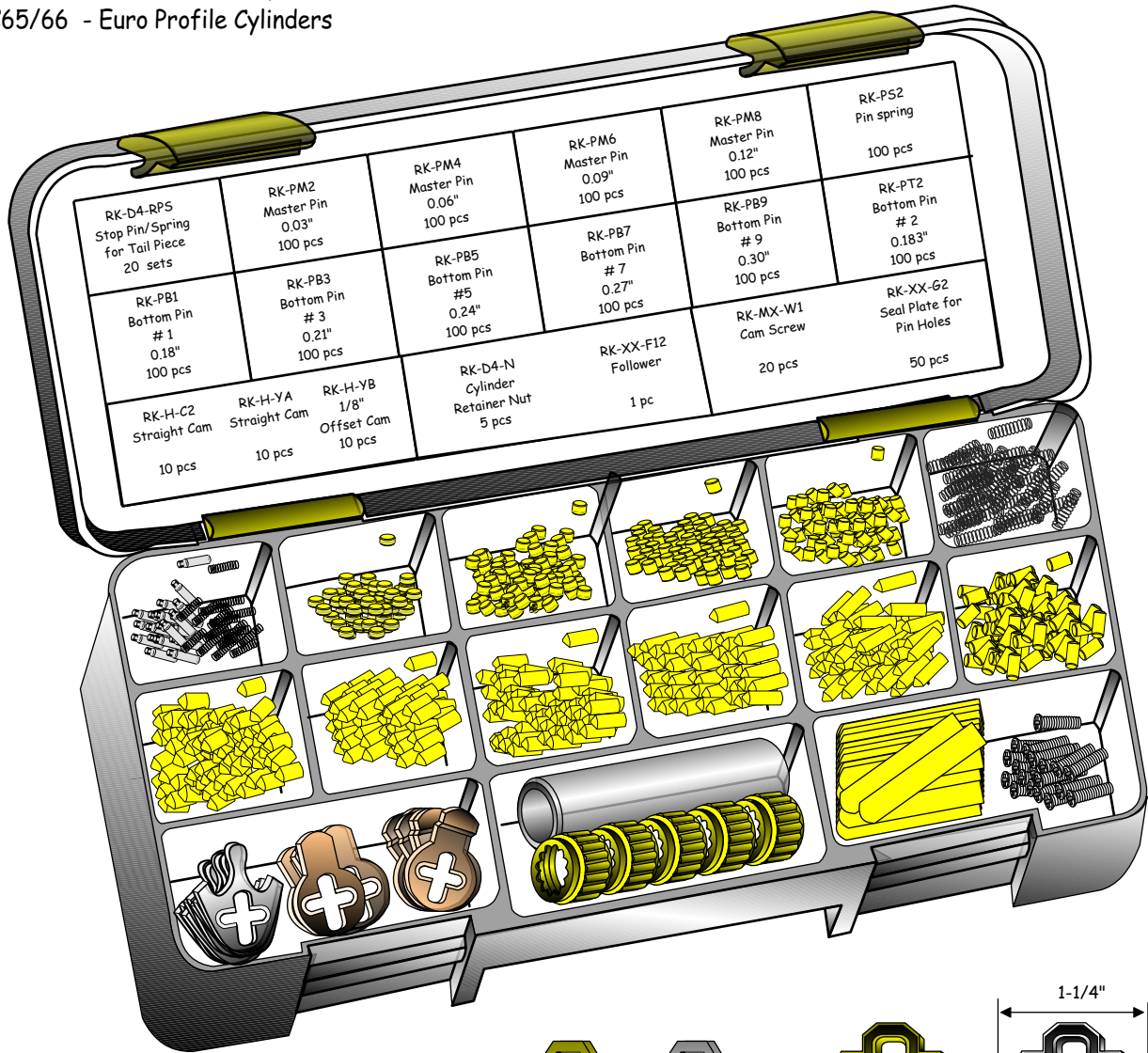
-for converting a mortise lock case or Tubular Latch to take a 7x7mm spindle from a regular 8mm Hub. For the split hub application, simply insert the Hub Sleeve from each side of the Hubs.

Stock No.	Description
N8-BS	Spindle Bracket, w/2 screws
N8-H7	Hub Sleeve 7x7mm



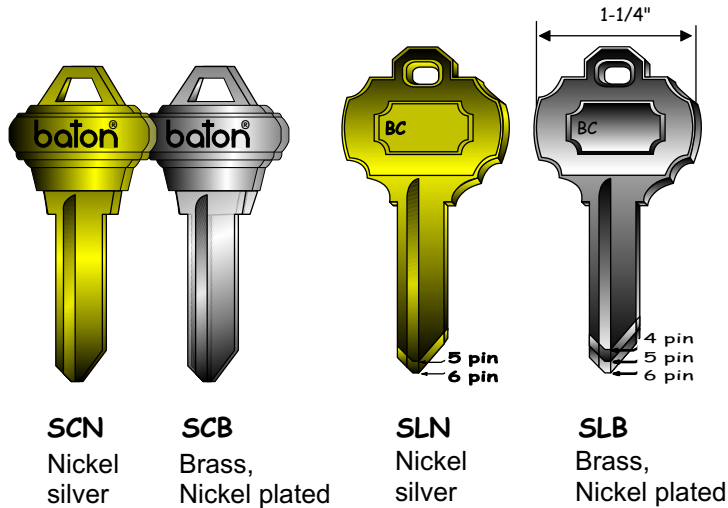
# Model RK-20 Rekeying Kit & SB/SL Key Blanks

This rekeying pin kit is designed for Baton cylinders that are stamped with 'BC' code or other compatible cylinders.  
 AC29/30/31 - Mortise Cylinders, D400-AK5/AK6 - Key in knob Cylinders  
 D400-AS/AD - Deadbolt Cylinders D421/422/461/462 - Deadbolts  
 EC65/66 - Euro Profile Cylinders



X03

Stock No.	Description
RK-20	Rekeying Pin Kit
RK-SCB-KB6	6 pin, brass/nickel plated
RK-SCN-KB6	6 pin, nickel silver
RK-SLB-KB4	4 pin, brass/nickel plated
RK-SLB-KB5	5 pin, brass/nickel plated
RK-SLB-KB6	6 pin, brass/nickel plated
RK-SLN-KB5	5 pin, nickel silver
RK-SLN-KB6	6 pin, nickel silver



**SCN**  
Nickel silver

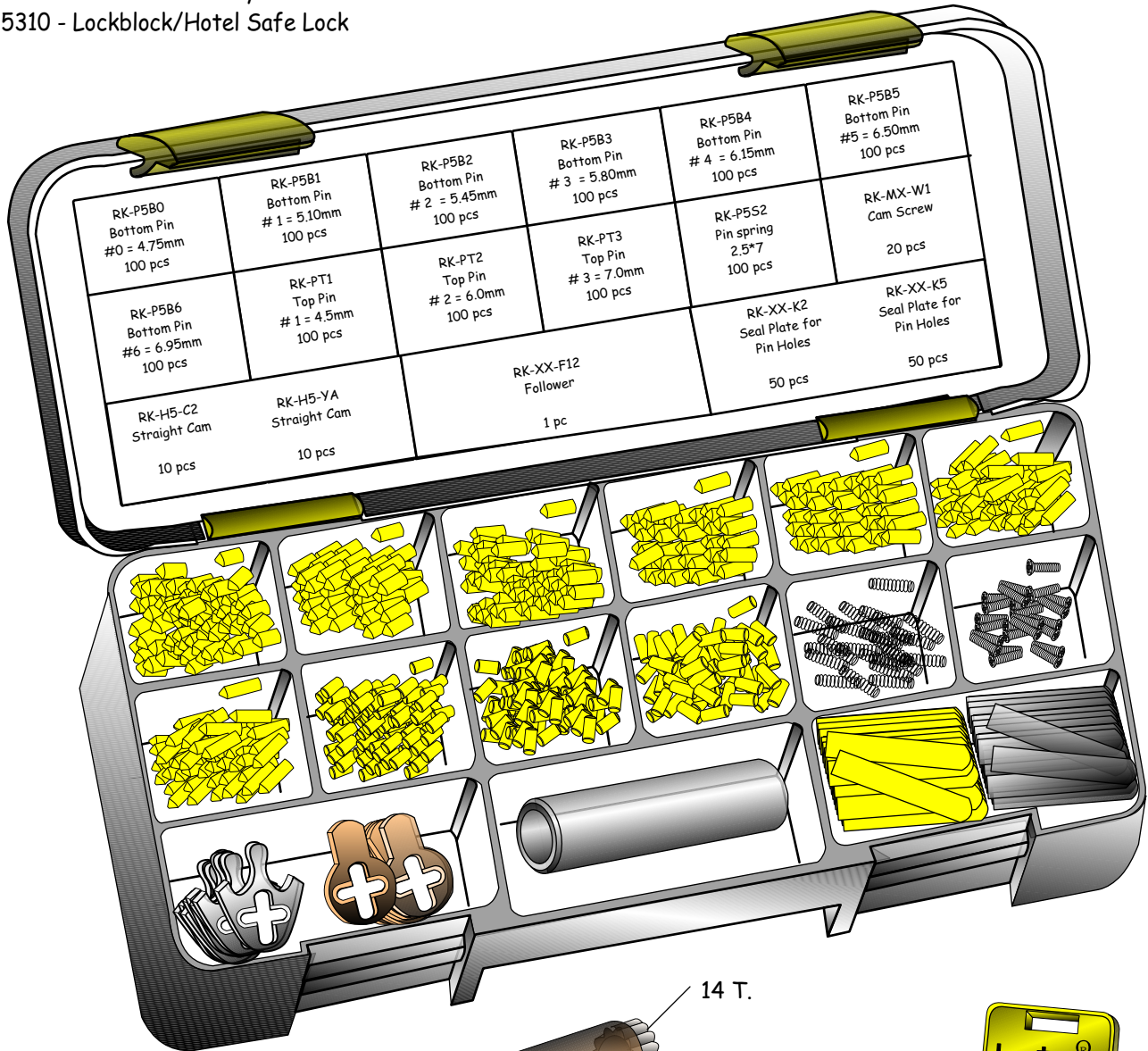
**SCB**  
Brass, Nickel plated

**SLN**  
Nickel silver

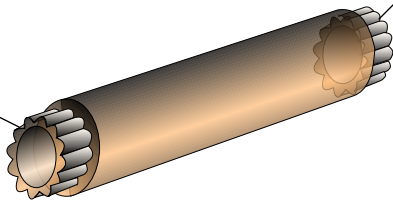
**SLB**  
Brass, Nickel plated

# Model RK-20D Rekeying Kit

This rekeying pin kit is designed for the Baton cylinder that is constructed with 2.5mm in diameter pins:  
 AC26 - Mortise Cylinders  
 EC-51/52 Euro Profile Cylinder  
 5310 - Lockblock/Hotel Safe Lock



X04

12 T.  14 T.  
 RK-D4-NR Retainer Remover - for D400 key-in-knob and deadbolt cylinders.



RK-F7-KB6  
Key blank

Stock No.	Description
RK-20D	Rekeying Pin Kit - dimple system
RK-F7-KB6	Key blank, f/5300 and AC26, nickel silver
RK-D4-NR	Retainer remover

# In-house Keying Services

Baton's series 'AC', 'D4' and 'EC' cylinders that are constructed with 'Schlage-C' keyway, can be keyed to Keyed Alike (KA), Master Keying (MK), Grand Master Keying (GMK) or Construction Keying (CK1, CK2). Please call our CSR for the details.

### KA - Keyed Alike - one key fits all

Cylinder can be keyed to work with one same key, No Master keying.

These cylinders can be keyed to the same system, KA, MK, GMK or CK

### MK - Master Keying

Each lock is operative with it's own key; the management has one key that operates all locks within the system

### CK - Construction Keying

Construction key - Level 1  
Voided after any of the Construction key Level 2, individual key, or Master key is operated

Construction key - Level 2  
Voids the construction key Level 1. Voided after the individual key or MK key is operated.

### GMK - Grand Master Keying

One GMK key operates two or more MK systems

X05

# Measurement Chart - Inch vs. MM

Inch		MM	Inch		MM	Inch		MM
1/16"	0.0625"	1.5875	1-1/16"	1.0625"	26.9875	2-1/16"	2.0625"	52.3875
1/8"	0.1250"	3.1750	1-1/8"	1.1250"	28.5750	2-1/8"	2.1250"	53.9750
3/16"	0.1875"	4.7625	1-3/16"	1.1875"	30.1625	2-3/16"	2.1875"	55.5625
1/4"	0.2500"	6.3500	1-1/4"	1.2500"	31.7500	2-1/4"	2.2500"	57.1500
5/16"	0.3125"	7.9375	1-5/16"	1.3125"	33.3375	2-5/16"	2.3125"	58.7375
3/8"	0.3750"	9.5250	1-3/8"	1.3750"	34.9250	2-3/8"	2.3750"	60.3250
7/16"	0.4375"	11.1125	1-7/16"	1.4375"	36.5125	2-7/16"	2.4375"	61.9125
1/2"	0.5000"	12.7000	1-1/2"	1.5000"	38.1000	2-1/2"	2.5000"	63.5000
9/16"	0.5625"	14.2875	1-9/16"	1.5625"	39.6875	2-9/16"	2.5625"	65.0875
5/8"	0.6250"	15.8750	1-5/8"	1.6250"	41.2750	2-5/8"	2.6250"	66.6750
11/16"	0.6875"	17.4625	1-11/16"	1.6875"	42.8625	2-11/16"	2.6875"	68.2625
3/4"	0.7500"	19.0500	1-3/4"	1.7500"	44.4500	2-3/4"	2.7500"	69.8500
13/16"	0.8125"	20.6375	1-13/16"	1.8125"	46.0375	2-13/16"	2.8125"	71.4375
7/8"	0.8750"	22.2250	1-7/8"	1.8750"	47.6250	2-7/8"	2.8750"	73.0250
15/16"	0.9375"	23.8125	1-15/16"	1.9375"	49.2125	2-15/16"	2.9375"	74.6125
1"	1.0000"	25.4000	2"	2.0000"	50.8000	3"	3.0000"	76.2000

Inch		MM	Inch		MM	Inch		MM
3-1/16"	3.0625"	77.7875	4-1/16"	4.0625"	103.1875	5-1/16"	5.0625"	128.5875
3-1/8"	3.1250"	79.3750	4-1/8"	4.1250"	104.7750	5-1/8"	5.1250"	130.1750
3-3/16"	3.1875"	80.9625	4-3/16"	4.1875"	106.3625	5-3/16"	5.1875"	131.7625
3-1/4"	3.2500"	82.5500	4-1/4"	4.2500"	107.9500	5-1/4"	5.2500"	133.3500
3-5/16"	3.3125"	84.1375	4-5/16"	4.3125"	109.5375	5-5/16"	5.3125"	134.9375
3-3/8"	3.3750"	85.7250	4-3/8"	4.3750"	111.1250	5-3/8"	5.3750"	136.5250
3-7/16"	3.4375"	87.3125	4-7/16"	4.4375"	112.7125	5-7/16"	5.4375"	138.1125
3-1/2"	3.5000"	88.9000	4-1/2"	4.5000"	114.3000	5-1/2"	5.5000"	139.7000
3-9/16"	3.5625"	90.4875	4-9/16"	4.5625"	115.8875	5-9/16"	5.5625"	141.2875
3-5/8"	3.6250"	92.0750	4-5/8"	4.6250"	117.4750	5-5/8"	5.6250"	142.8750
3-11/16"	3.6875"	93.6625	4-11/16"	4.6875"	119.0625	5-11/16"	5.6875"	144.4625
3-3/4"	3.7500"	95.2500	4-3/4"	4.7500"	120.6500	5-3/4"	5.7500"	146.0500
3-13/16"	3.8125"	96.8375	4-13/16"	4.8125"	122.2375	5-13/16"	5.8125"	147.6375
3-7/8"	3.8750"	98.4250	4-7/8"	4.8750"	123.8250	5-7/8"	5.8750"	149.2250
3-15/16"	3.9375"	100.0125	4-15/16"	4.9375"	125.4125	5-15/16"	5.9375"	150.8125
4"	4.0000"	101.6000	5"	5.0000"	127.0000	6"	6.0000"	152.4000



- The Lock Company